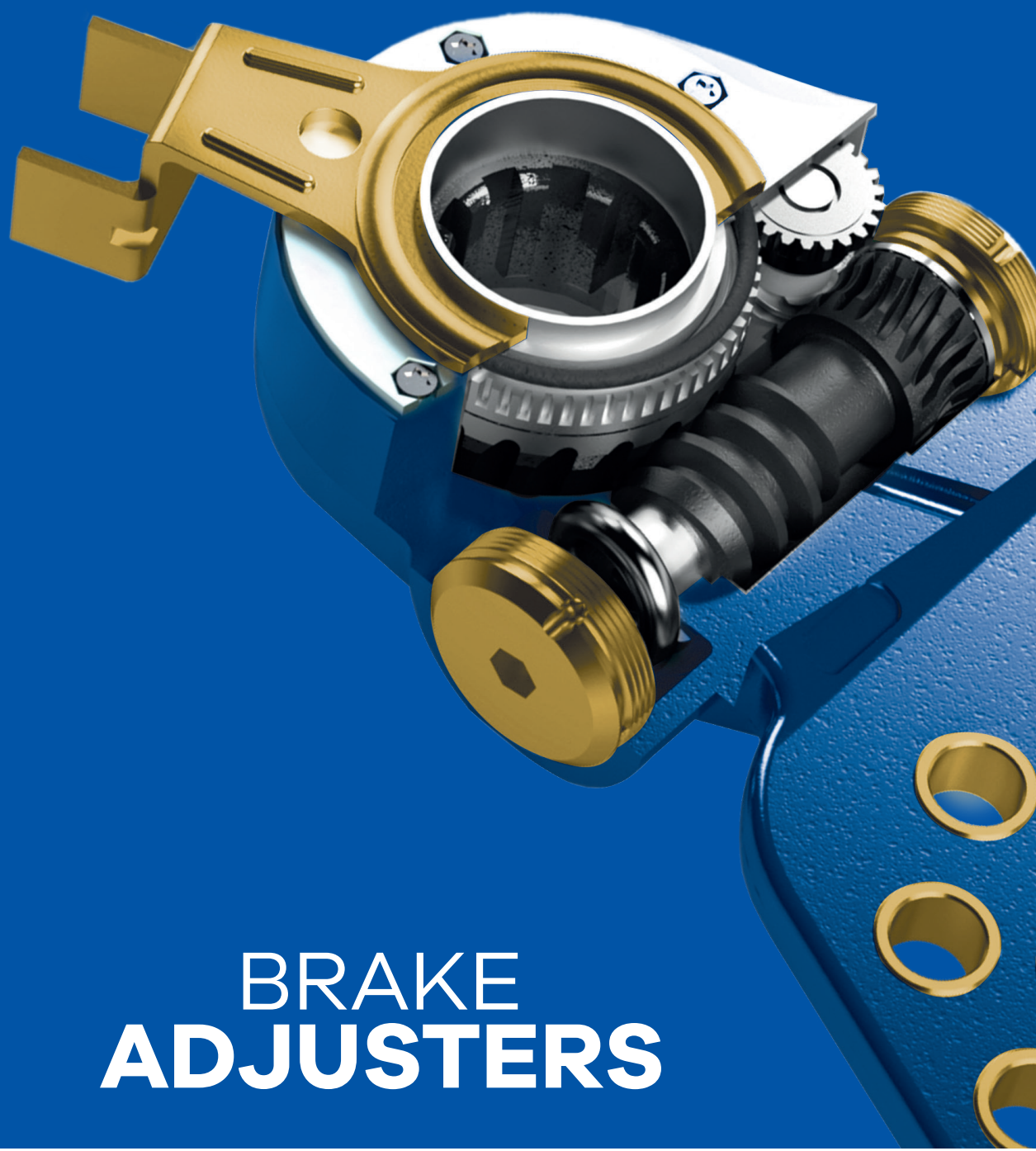


gtsa.com.tr



# BRAKE ADJUSTERS

A U T O M A T I C & M A N U E L



**THE SAME QUALITY,  
THE SAME PROFESSIONALITY  
ALL OVER THE WORLD**

Quality defying years with more than 40 years of production and experience.



## ABOUT US

Muammer Geçgel, one of the founders of Geçgel Makine, which was established in Konya to manufacture machine tools in 1981. Founded "Turbotek Automotive company in 2012". Since the day it was inaugurated, it has become one of the leading companies in its sector by increasing quality with the necessary investments and right choices.

With its R&D structure and engineering studies, it operates to reach the highest level in brake equipment of commercial vehicles. Our company which exports 60% of its products to more than 65 countries, mainly OEM and OES companies, strengthens its place in the sector day by day with its wide marketing network and aims to become one of the leading companies in the world in suspension systems and brake equipment.

Today, Turbotek, which serves in its factory with 9000 m<sup>2</sup> closed and 10000 m<sup>2</sup> open area in Konya Organized Industrial Zone, creates a definite fierce advantage in the markets with its particular factors from other companies in the sector:

Features that distinguish Turbotek from its competitors:

- Short delivery time due to the wide variety in the product portfolio and the high rate of fulfilling orders from stock
- Dominating our sector with the most advanced quality understanding, expert production staff of each sub-part of the product, due to conception 90% of products in its portfolio.
- Having a global price competitive advantage as the result of our flexibility, our experiences and through our latest integrated technology and its high-scale production.
- While carrying out innovated design and production activities in its central 10,000 m<sup>2</sup> production facility, it produces OEM quality products with the international standard and quality norms.
- Seeking a competitive position in the world in OEM, OES and aftermarket, with its experienced staff in product development and quality controls, technological laboratory and advanced equipment.





# warranty

## WARRANTY CONDITIONS

APPLICATION	MAXIMUM TIME	MAXIMUM DISTANCE
TRAILER	2 YEAR	200.000 KM
TRUCK	2 YEAR	200.000 KM
BUS	1 YEAR	100.000 KM

**2**  
YEAR  
• WARRANTY •



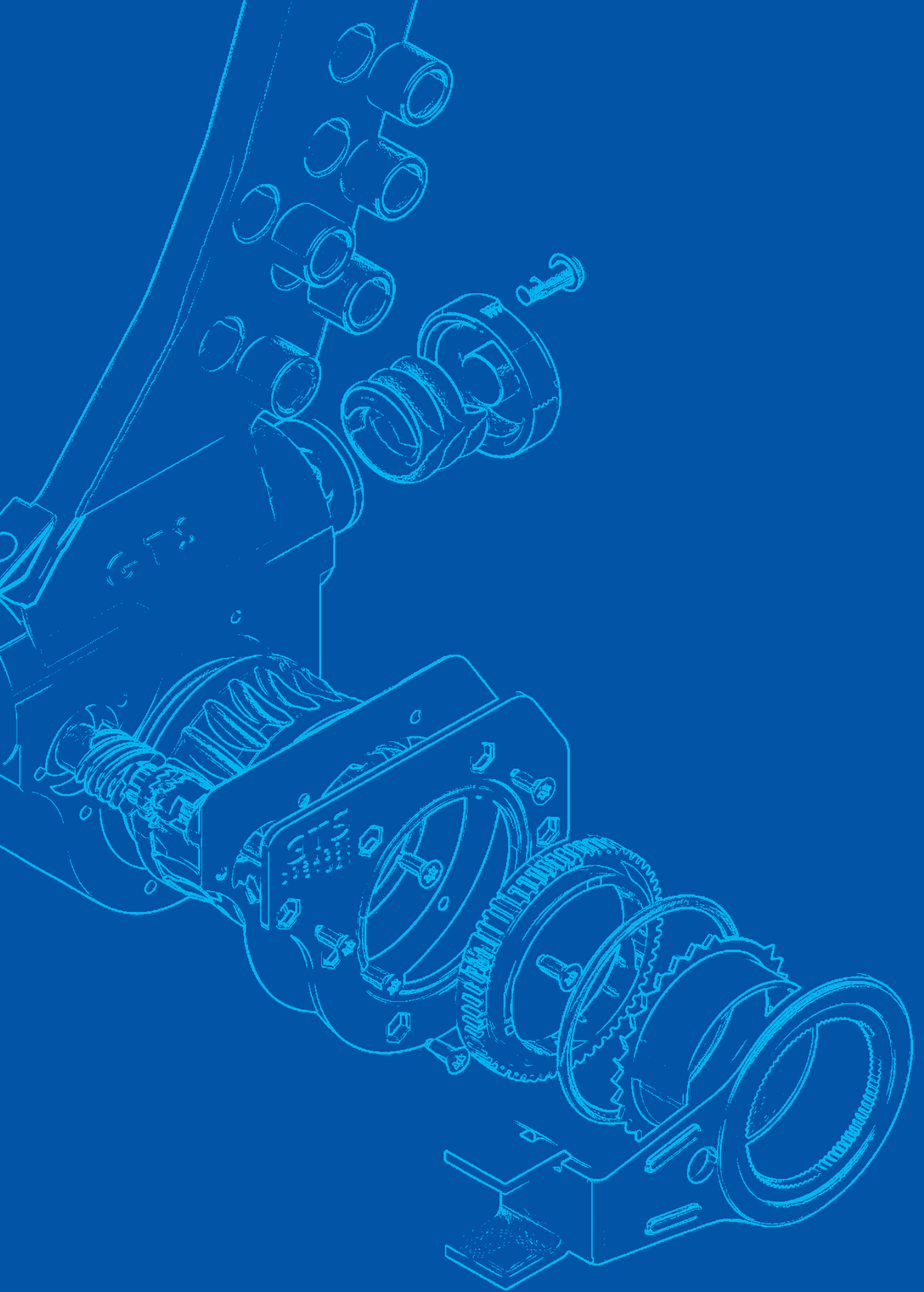
**2**  
YEAR  
• WARRANTY •



**1**  
YEAR  
• WARRANTY •



- The warranty period runs from the date of manufacture, as indicated on the part (Traceability Number)
  - Any claim must be made within the period of the warranty.
- Company warranty claim from must be completed in full.
- The failed unit must be returned to Our Company for full inspection.



## Automatic Brake Adjusters

---

### 6-73

Technical Details .....	8
Why We Are Preferred.....	12
MERCEDES .....	14
MAN .....	23
SCANIA .....	29
VOLVO .....	33
RENAULT .....	37
DAF .....	42
KAMAZ .....	46
SAF.....	48
BPW .....	50
FRUEHAUF.....	52
KÄSSBOHRER .....	55
ROR .....	57
TEMSA .....	60
HYUNDAI .....	60
SETRA.....	61
FODEN .....	62
SAE .....	62
ZF/Neoplan.....	63
TRAILER.....	64
VAN HOOL .....	64
TATRA .....	65
SMB .....	65
AMERICAN GROUP .....	65

## Manual Brake Adjusters

---

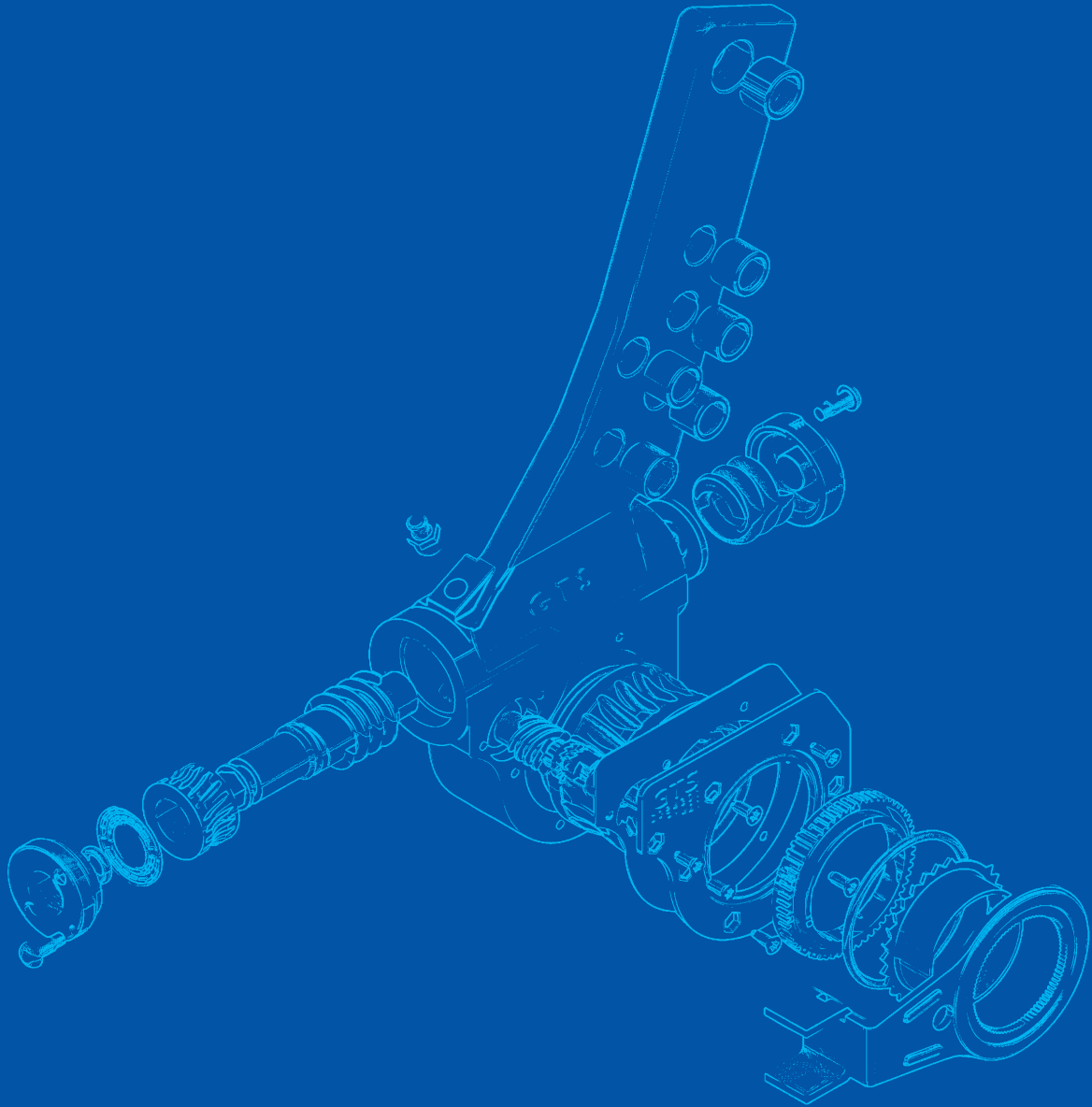
### 74-84

Technical Details .....	76
BPW.....	77
MERCEDES .....	78
VOLVO .....	78
SCANIA .....	79
ROR .....	80
ROR/TRAILER .....	80
FRUEHAUF.....	81
SAUER.....	81
RENAULT.....	81
HOWO .....	82

## Cross Reference

---

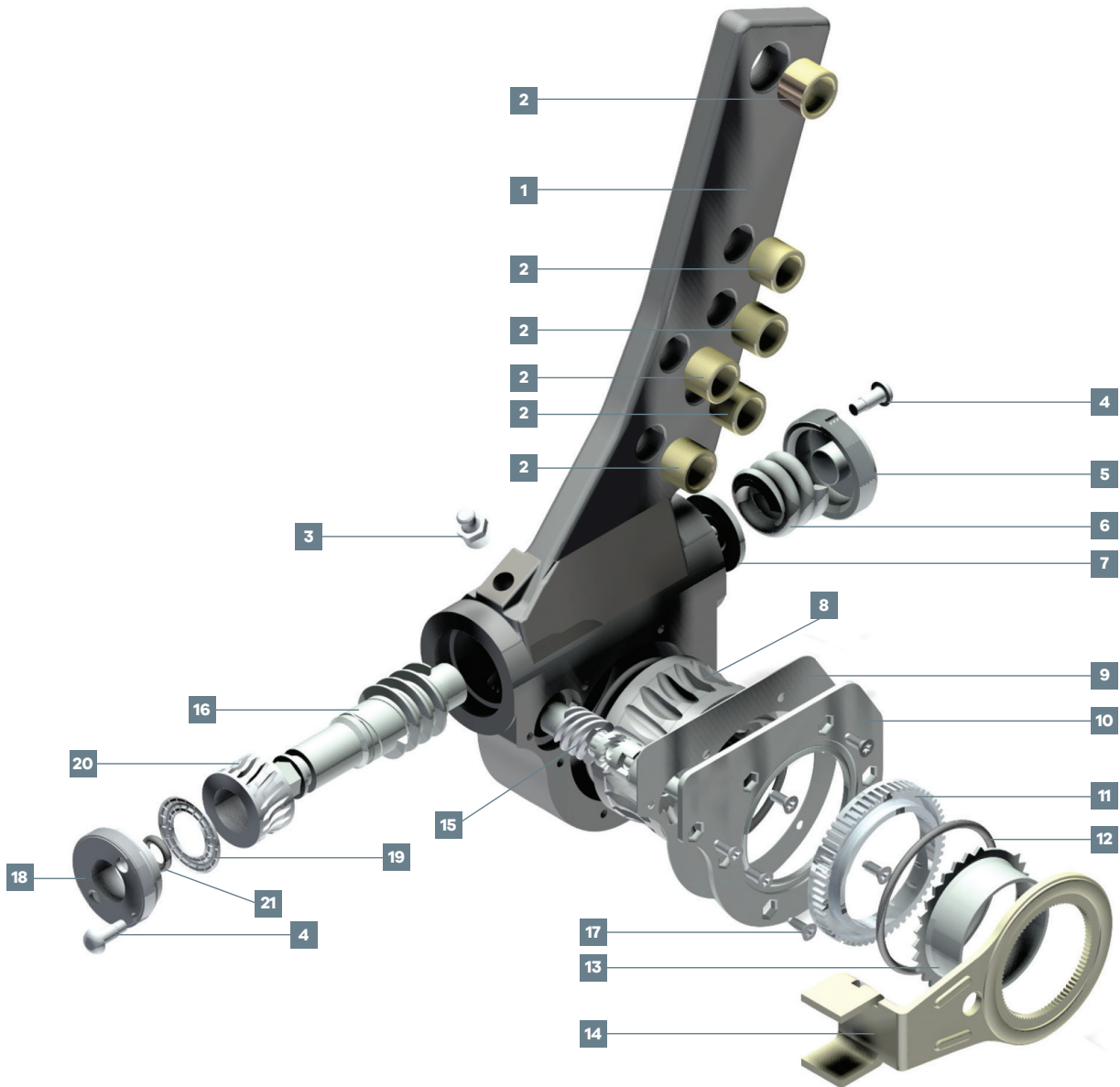
### 85-111



# TECHNICAL DETAILS

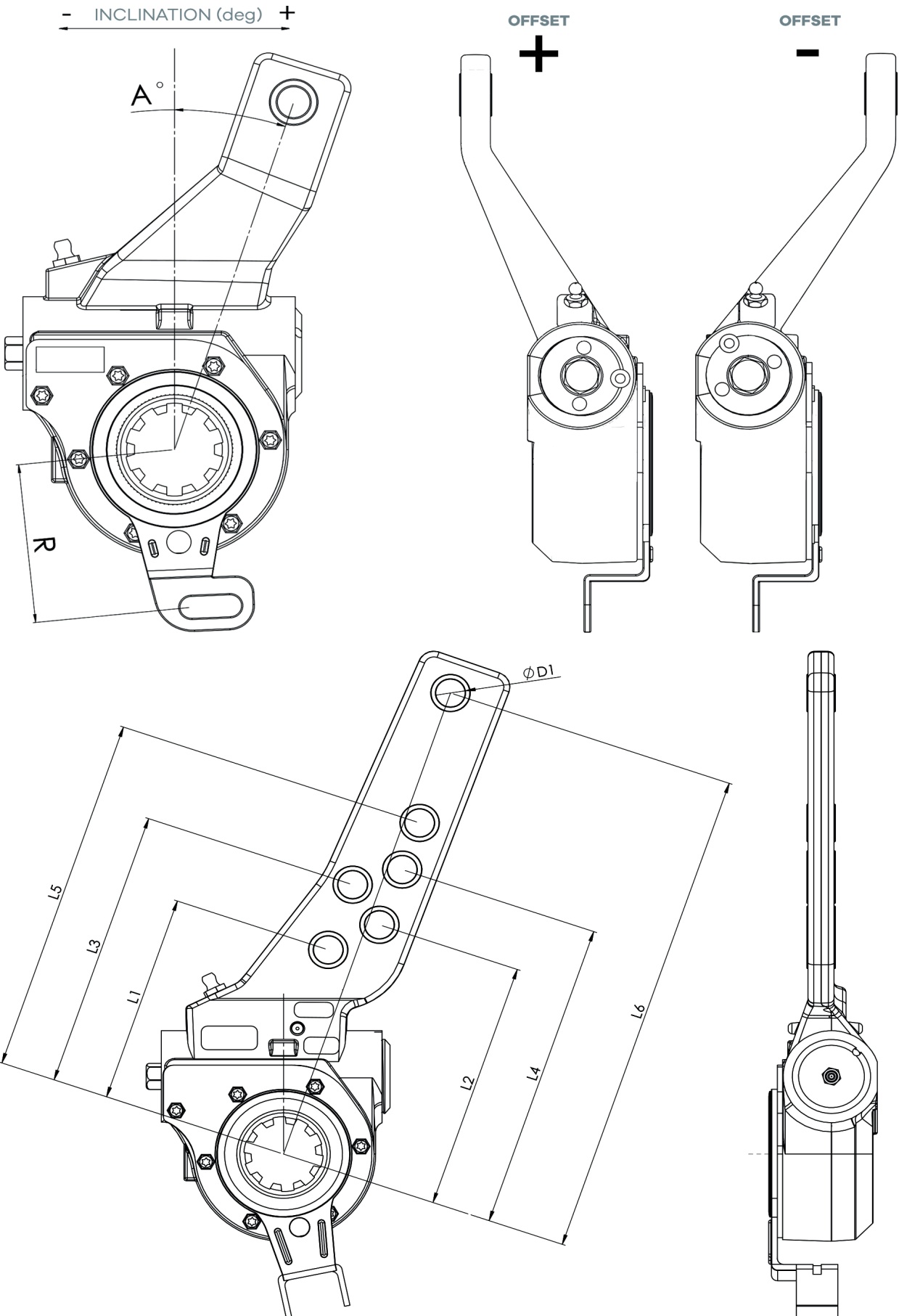


# AUTOMATIC BRAKE ADJUSTER



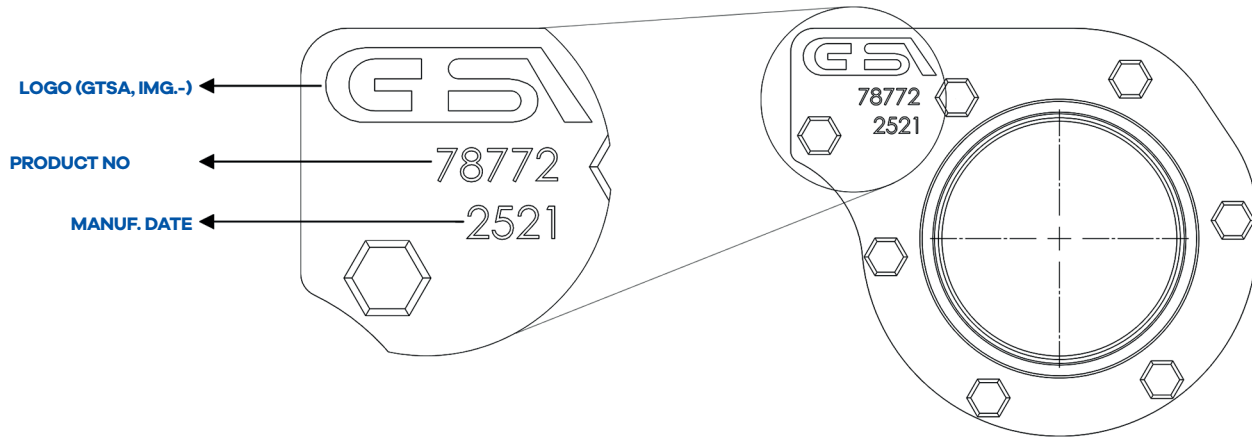
- |                          |                            |                            |
|--------------------------|----------------------------|----------------------------|
| <b>1</b> BODY            | <b>8</b> WORM GEAR         | <b>15</b> SMALL WORM SHAFT |
| <b>2</b> BUSH            | <b>9</b> GASKET            | <b>16</b> WORM SHAFT       |
| <b>3</b> GREASE NIPPLE   | <b>10</b> COVER PLATE      | <b>17</b> SCREW            |
| <b>4</b> TUBULAR RIVET   | <b>11</b> PLATE HOUSING    | <b>18</b> BEARING HOUSING  |
| <b>5</b> SPRING RETAINER | <b>12</b> O RING           | <b>19</b> THRUST BEARING   |
| <b>6</b> COIL SPRING     | <b>13</b> INSIDE PLATE     | <b>20</b> SMALL GEAR       |
| <b>7</b> SPRING SEAT     | <b>14</b> CONTROL ARM/UNIT | <b>21</b> SMALL O RING     |

**AUTOMATIC BRAKE ADJUSTER**

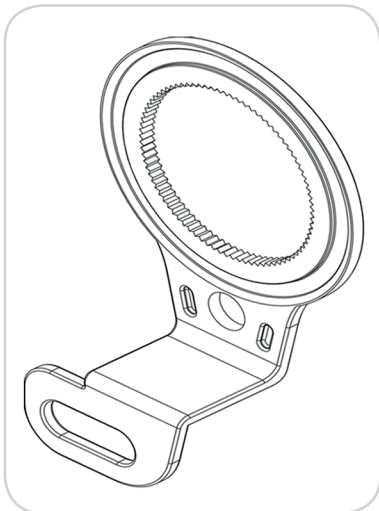


# AUTOMATIC BRAKE ADJUSTER

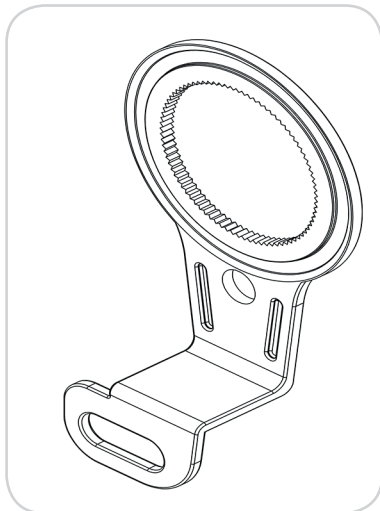
## MARKING



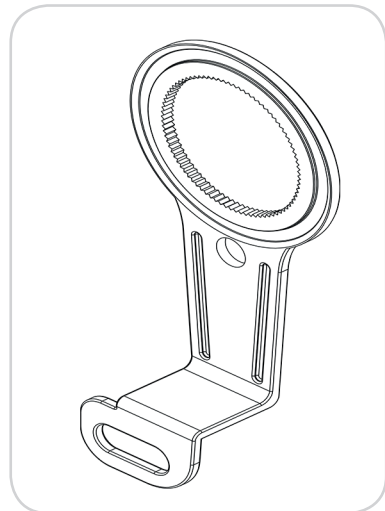
## TYPES OF CONTROL UNIT



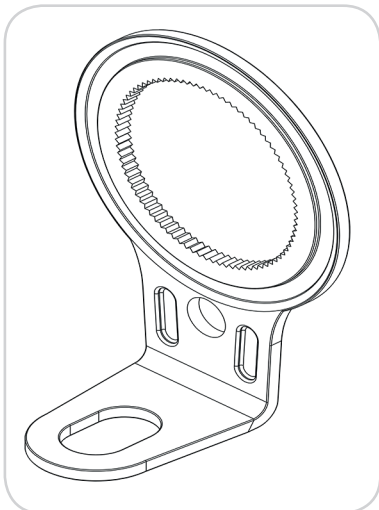
**DOUBLE BENT SHORT**  
R=65MM



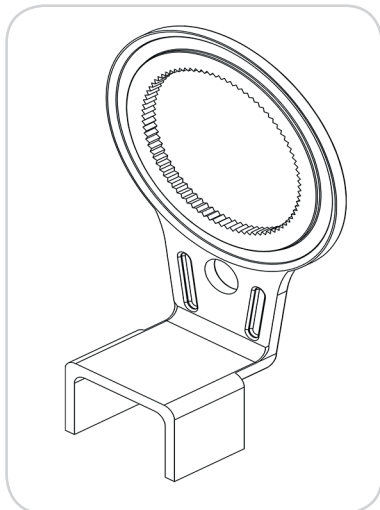
**DOUBLE BENT MEDIUM**  
R=78MM



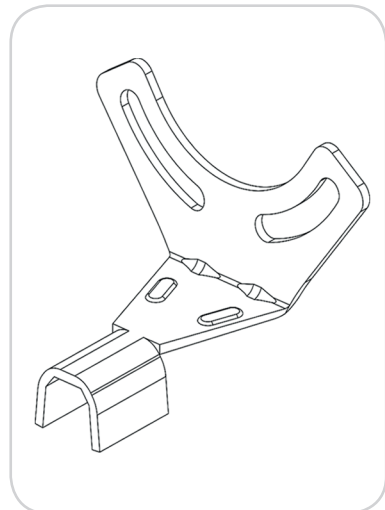
**DOUBLE BENT LONG**  
R=100MM



**BENT**



**SADDLE TYPE**



**ANCHOR BRACKET**

# WHY WE ARE PREFERRED?

## INCREASED STRENGTH MATERIALS

Materials that are treated with heat treatment and induction processes become more resistant to abrasion and breakage.

## STATIC POWDER COATING AGAINST DIFFICULT CONDITIONS

Static Powder Paint is used on Zinc-Phosphate Coating for the body's resistance to corrosion and impact.

## STRONG MATERIAL AGAINST SPRING FATIGUE

With 55CrSi material, spring fatigue and the resulting low torque value are prevented.

## PROPORTIONAL WINDING GEAR SYSTEM

Thanks to the proportional setting gearsystem in the Brake Adjustment Lever, your pads wear out at the same rate.

## GALVANIZED MATERIALS

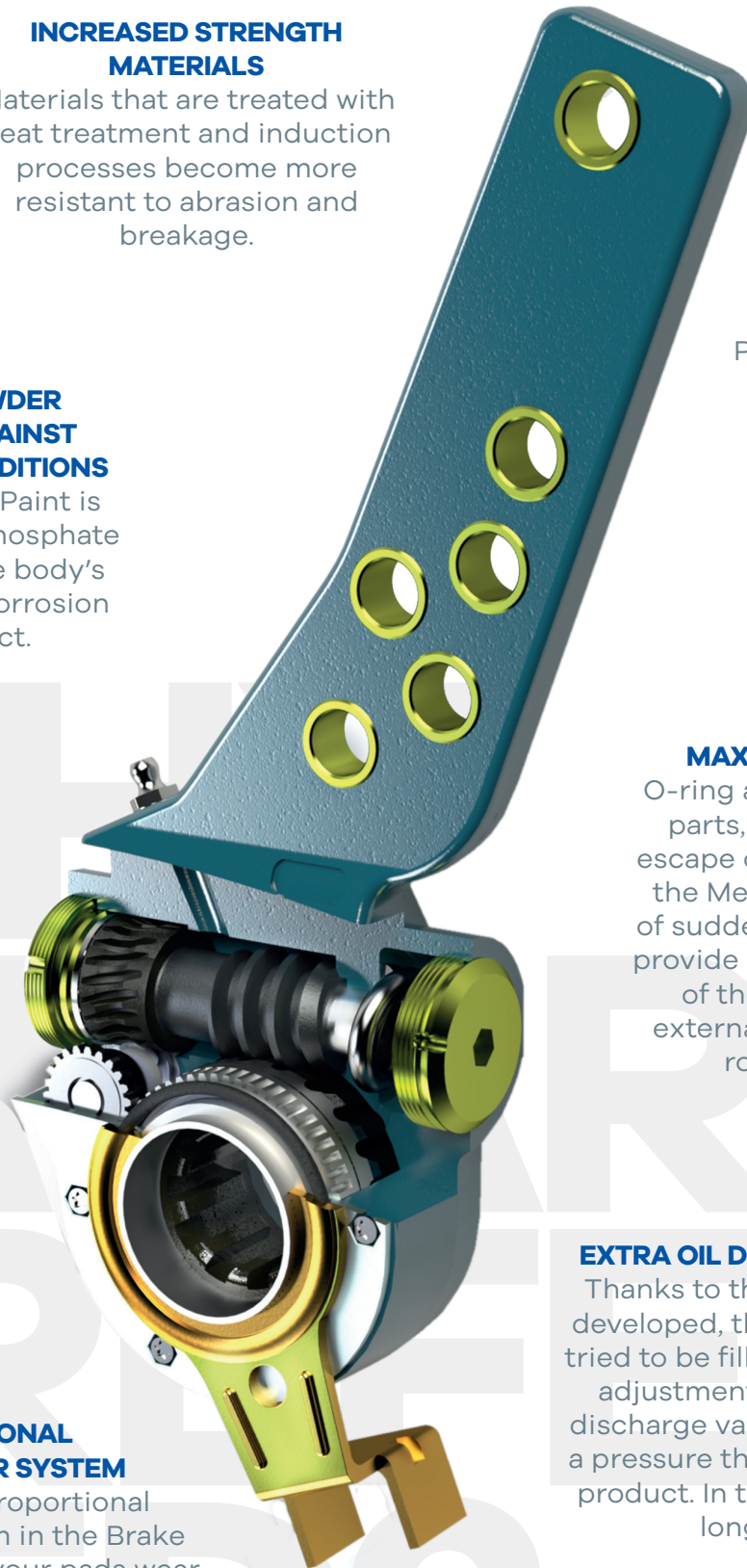
Parts such as bushings, cover and control arm made of alkali galvanized provide maximum protection against corrosion.

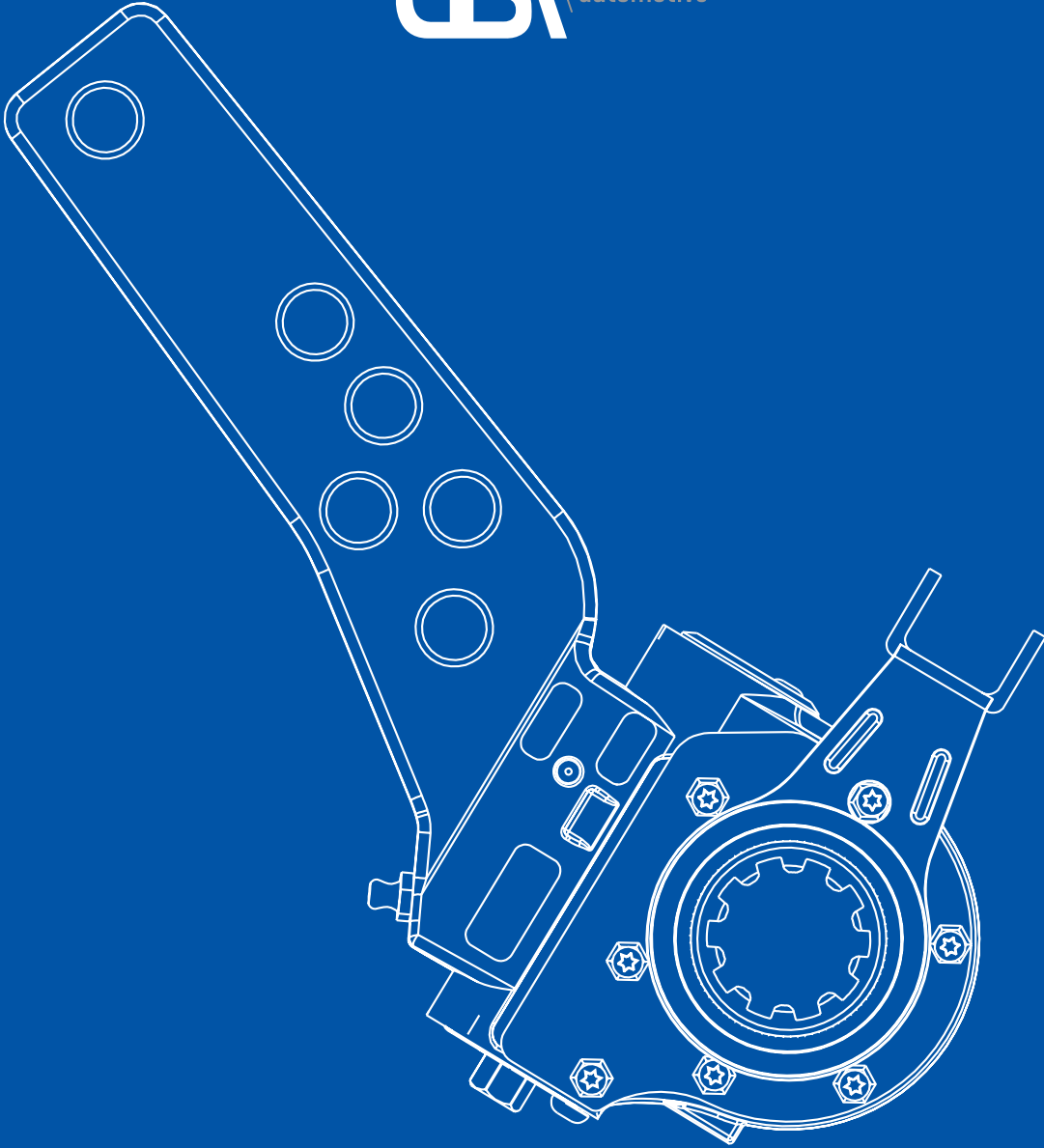
## MAXIMUM TIGHTNESS

O-ring and Graphite Gasket parts, which prevent the escape of protective oil from the Mechanism in the face of sudden load and pressure, provide maximum protection of the product against external factors in difficult road conditions.

## EXTRA OIL DISCHARGE SYSTEM

Thanks to the system we have developed, the excess oil that is tried to be filled leaves the brake adjustment arm from the oil discharge valve without causing a pressure that may damage our product. In this way, it provides longer usage.





# **AUTOMATIC BRAKE ADJUSTER**

## AUTOMATIC BRAKE ADJUSTER

GTSA NO **78750**

MERCEDES



**REFERENCE NO**  
80000

**CASTING**  
55018

**OEM NO**  
9424200238  
9424200438  
9454200238

SIDE	AXLE	MODEL
LEFT	2	ACTROS - AXOR

No. of Spline Teeth	L1	L2	L3	L4	L5	L6	L7	BUSHING (mm)	OFFSET
26	145							14	-56
26	145							14	56

GTSA NO **78751**

MERCEDES



**REFERENCE NO**  
80001

**CASTING**  
55017

**OEM NO**  
9424200338  
9424200538  
9424290338  
9454200338

SIDE	AXLE	MODEL
RIGHT	2	ACTROS - AXOR

INCLINATION (deg)	SPLINE TYPE	CONTROL ARM
15	N42x1.5x9H DIN 5480	Double Bent (short; R=65 mm)
15	N42x1.5x9H DIN 5480	Double Bent (short; R=65 mm)

GTSA NO **78758**

MERCEDES



**REFERENCE NO**  
80008

**CASTING**  
55016

**OEM NO**  
9424200038  
9424200938  
9424201238  
9454200038

SIDE	AXLE	MODEL
LEFT	1	ACTROS - AXOR

No. of Spline Teeth	L1	L2	L3	L4	L5	L6	L7	BUSHING (mm)	OFFSET
26	145							14	37
26	145							14	-37

GTSA NO **78759**

MERCEDES



**REFERENCE NO**  
80009

**CASTING**  
55015

**OEM NO**  
9424200138  
9424200838  
9424201338  
9454200138

SIDE	AXLE	MODEL
RIGHT	1	ACTROS - AXOR

INCLINATION (deg)	SPLINE TYPE	CONTROL ARM
34	N42x1.5x9H DIN 5480	Double Bent (medium; R=78 mm)
34	N42x1.5x9H DIN 5480	Double Bent (medium; R=78 mm)

GTSA NO **78764**

MERCEDES



**REFERENCE NO**  
80014

**CASTING**  
55031

**OEM NO**  
9454200438

SIDE	AXLE	MODEL
RIGHT	2	ACTROS - AXOR

No. of Spline Teeth	L1	L2	L3	L4	L5	L6	L7	BUSHING (mm)	OFFSET
26	145							14	56
26	145							14	-56

GTSA NO **78780**

MERCEDES



**REFERENCE NO**  
80030

**CASTING**  
55018

**OEM NO**  
9454200938

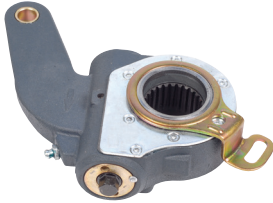
SIDE	AXLE	MODEL
LEFT	2	ACTROS - AXOR

INCLINATION (deg)	SPLINE TYPE	CONTROL ARM
15	N42x1.5x9H DIN 5480	Double Bent (short; R=65 mm)
15	N42x1.5x9H DIN 5480	Double Bent (short; R=65 mm)

## AUTOMATIC BRAKE ADJUSTER

G TSA NO **70809**

MERCEDES



**REFERENCE NO**  
72059

**CASTING**  
53900

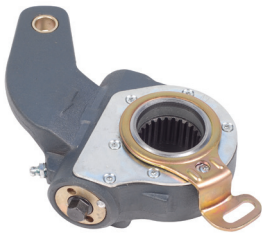
**OEM NO**  
3574200538

SIDE	AXLE	MODEL
LEFT&RIGHT	1	0 303, 0 340 Turismo, 0 404, 0 405, 0 407, 0 408

No. of Spline Teeth	L1	L2	L3	L4	L5	L6	L7	BUSHING (mm)	OFFSET	INCLINATION (deg)	SPLINE TYPE	CONTROL ARM
26	145							14	0	37	N42x1.5x9H DIN 5480	Double Bent (short; R=65 mm)

G TSA NO **71559**

MERCEDES



**REFERENCE NO**  
72809

**CASTING**  
53163

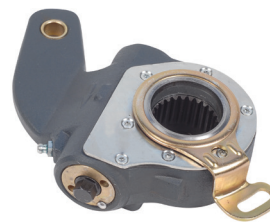
**OEM NO**  
3574201338

SIDE	AXLE	MODEL
LEFT	2, 3, 4	2426, 2426 B, 2632 S, 0 405, 0 345 CON-NECTO

No. of Spline Teeth	L1	L2	L3	L4	L5	L6	L7	BUSHING (mm)	OFFSET	INCLINATION (deg)	SPLINE TYPE	CONTROL ARM
26	130							14	-18	34	N42x1.5x9H DIN 5480	Double Bent (short; R=65 mm)
26	130							14	18	34	N42x1.5x9H DIN 5480	Double Bent (short; R=65 mm)

G TSA NO **71560**

MERCEDES



**REFERENCE NO**  
72810

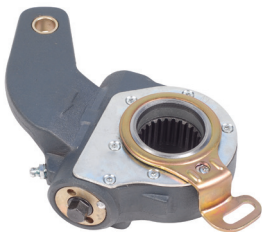
**CASTING**  
53162

**OEM NO**  
3574201438

SIDE	AXLE	MODEL
RIGHT	2, 3, 4	2426, 2426 B, 2632 S, 0 405, 0 345 CON-NECTO

G TSA NO **71561**

MERCEDES



**REFERENCE NO**  
72811

**CASTING**  
53163

**OEM NO**  
3574201538

SIDE	AXLE	MODEL
LEFT	3	0 405, 0 345 CONECTO

No. of Spline Teeth	L1	L2	L3	L4	L5	L6	L7	BUSHING (mm)	OFFSET	INCLINATION (deg)	SPLINE TYPE	CONTROL ARM
26	130							14	-18	34	N42x1.5x9H DIN 5480	Double Bent (short; R=65 mm)
26	130							14	18	34	N42x1.5x9H DIN 5480	Double Bent (short; R=65 mm)

G TSA NO **71562**

MERCEDES



**REFERENCE NO**  
72812

**CASTING**  
53162

**OEM NO**  
3574201638

SIDE	AXLE	MODEL
RIGHT	3	0 405, 0 345 CONECTO

G TSA NO **70963**

MERCEDES



**REFERENCE NO**  
72213

**CASTING**  
54037

**OEM NO**  
3014201138

SIDE	AXLE	MODEL
LEFT&RIGHT	2	O 303 / O 404, O 304 / O 340, OH 1416 / OH 1417, OH 1622, OH 1625, OH 1628

No. of Spline Teeth	L1	L2	L3	L4	L5	L6	L7	BUSHING (mm)	OFFSET	INCLINATION (deg)	SPLINE TYPE	CONTROL ARM
26	130							14	0	-29.5	N42x1.5x9H DIN 5480	Double Bent (medium; R=78 mm)

G TSA NO **78760**

MERCEDES



**REFERENCE NO**  
80010

**CASTING**  
55020

**OEM NO**  
3834200538  
9454200838  
9464200838

SIDE	AXLE	MODEL
LEFT	2	LK/LN2 1520, 1520L, LK/LN2 1524, 1524L, MK Series, NG Series

No. of Spline Teeth	L1	L2	L3	L4	L5	L6	L7	BUSHING (mm)	OFFSET	INCLINATION (deg)	SPLINE TYPE	CONTROL ARM
26	145							14	-56	-5	N42x1.5x9H DIN 5480	Double Bent (short; R=65 mm)
26	145							14	56	-5	N42x1.5x9H DIN 5480	Double Bent (short; R=65 mm)

G TSA NO **78761**

MERCEDES



**REFERENCE NO**  
80011

**CASTING**  
55019

**OEM NO**  
3834200438  
9454200738  
9474200738

SIDE	AXLE	MODEL
RIGHT	2	LK/LN2 1520, 1520L, LK/LN2 1524, 1524L, MK Series, NG Series

G TSA NO **78762**

MERCEDES



**REFERENCE NO**  
80012

**CASTING**  
55032

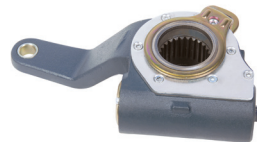
**OEM NO**  
3854201738  
9454200538  
9484200538

SIDE	AXLE	MODEL
LEFT	1	ATEGO, ATEGO 2, MK Series, NG Series

No. of Spline Teeth	L1	L2	L3	L4	L5	L6	L7	BUSHING (mm)	OFFSET	INCLINATION (deg)	SPLINE TYPE	CONTROL ARM
26	145							14	-42	105	N42x1.5x9H DIN 5480	Double Bent (short; R=65 mm)
26	145							14	42	105	N42x1.5x9H DIN 5480	Double Bent (short; R=65 mm)

G TSA NO **78763**

MERCEDES



**REFERENCE NO**  
80013

**CASTING**  
55033

**OEM NO**  
3854201838  
9454200638  
9494200638

SIDE	AXLE	MODEL
RIGHT	1	ATEGO, ATEGO 2, MK Series, NG Series



## AUTOMATIC BRAKE ADJUSTER

G TSA NO **69456**

MERCEDES



**REFERENCE NO**  
70706

**CASTING**  
53078

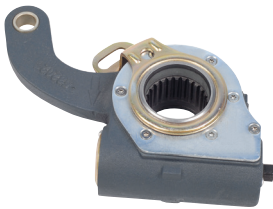
**OEM NO**  
3054200238  
3054202638

SIDE	AXLE	MODEL
LEFT&RIGHT	2	O 303 / O 330, O 362 / O 302, CITYLINER N116, JETLINER N 216, SKYLINER N122

No. of Spline Teeth	L1	L2	L3	L4	L5	L6	L7	BUSHING (mm)	OFFSET	INCLINATION (deg)	SPLINE TYPE	CONTROL ARM
26	115							14	0	-29	N42x1.5x9H DIN 5480	Double Bent (short; R=65 mm)

G TSA NO **69525**

MERCEDES



**REFERENCE NO**  
70775

**CASTING**  
53202

**OEM NO**  
3074200338

SIDE	AXLE	MODEL
LEFT&RIGHT	1, 3	O 303 / O 330, O 362 / O 302, CITYLINER N116, JETLINER N 216, SKYLINER N122

No. of Spline Teeth	L1	L2	L3	L4	L5	L6	L7	BUSHING (mm)	OFFSET	INCLINATION (deg)	SPLINE TYPE	CONTROL ARM
26	130							14	0	120	N42x1.5x9H DIN 5480	Double Bent (short; R=65 mm)

G TSA NO **70810**

MERCEDES



**REFERENCE NO**  
72060

**CASTING**  
53860

**OEM NO**  
3574200638

SIDE	AXLE	MODEL
RIGHT	2	O 370, O 371, O 373, O 374, O 400, O 500 TOURO

No. of Spline Teeth	L1	L2	L3	L4	L5	L6	L7	BUSHING (mm)	OFFSET	INCLINATION (deg)	SPLINE TYPE	CONTROL ARM
26	145							14	-15	-24	N42x1.5x9H DIN 5480	Double Bent (medium; R=78 mm)
26	145							14	15	-24	N42x1.5x9H DIN 5480	Double Bent (medium; R=78 mm)

G TSA NO **70811**

MERCEDES



**REFERENCE NO**  
72061

**CASTING**  
53861

**OEM NO**  
3574200738

SIDE	AXLE	MODEL
LEFT	2	O 370, O 371, O 373, O 374, O 400, O 500 TOURO

## AUTOMATIC BRAKE ADJUSTER

**GTSA NO 70923**

MERCEDES



**REFERENCE NO**  
72173

**CASTING**  
53185

**OEM NO**  
9424201138  
6214200138

**GTSA NO 70924**

MERCEDES



**REFERENCE NO**  
72174

**CASTING**  
53186

**OEM NO**  
9424201038  
6214200038

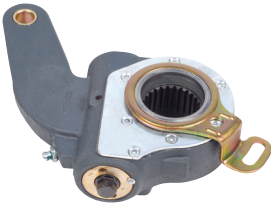
SIDE	AXLE	MODEL
LEFT	2	1625, 1827, 1831, 1834;1933, 1935, 1938, 2238, 2433, 2522, 2524, 2527, 2534, 2539, 2626 / 2628 UNIMOG

SIDE	AXLE	MODEL
RIGHT	2	1625, 1827, 1831, 1834;1933, 1935, 1938, 2238, 2433, 2522, 2524, 2527, 2534, 2539, 2626 / 2628 UNIMOG

No. of Spline Teeth	L1	L2	L3	L4	L5	L6	L7	BUSHING (mm)	OFFSET	INCLINATION (deg)	SPLINE TYPE	CONTROL ARM
26	145							14	-56	4	N42x1.5x9H DIN 5480	Double Bent (short; R=65 mm)
26	145							14	56	4	N42x1.5x9H DIN 5480	Double Bent (short; R=65 mm)

**GTSA NO 71346**

MERCEDES



**REFERENCE NO**  
72596

**CASTING**  
53900

**OEM NO**  
4731345  
6524200238

SIDE	AXLE	MODEL
LEFT&RIGHT	2	1217, 1222, 1222, 1227, 1429, 1617, 1620, 1622, 2422, 1827, 1831, 1834, 2225

No. of Spline Teeth	L1	L2	L3	L4	L5	L6	L7	BUSHING (mm)	OFFSET	INCLINATION (deg)	SPLINE TYPE	CONTROL ARM
26	145							14	0	37	N42x1.5x9H DIN 5480	Double Bent (short; R=65 mm)

**GTSA NO 70953**

MERCEDES



**REFERENCE NO**  
72203

**CASTING**  
53863

**OEM NO**  
0501309398  
11013281  
4731246

**GTSA NO 70954**

MERCEDES



**REFERENCE NO**  
72204

**CASTING**  
53864

**OEM NO**  
0501309399  
4731253

SIDE	AXLE	MODEL
LEFT	1	STARLINER

SIDE	AXLE	MODEL
RIGHT	1	STARLINER

No. of Spline Teeth	L1	L2	L3	L4	L5	L6	L7	BUSHING (mm)	OFFSET	INCLINATION (deg)	SPLINE TYPE	CONTROL ARM
19	145							14	-25	-30	A38x34 DIN 5482	Double Bent (short; R=65 mm)
19	145							14	25	-30	A38x34 DIN 5482	Double Bent (short; R=65 mm)

# AUTOMATIC BRAKE ADJUSTER

## GTSA NO **70788** MERCEDES



**REFERENCE NO**  
72038

**CASTING**  
54004

**OEM NO**  
6234200738  
6234200538

SIDE	AXLE	MODEL
RIGHT	2	1419, 1420, 1422, 1424, 1624, 1824, 1827, 2422, 2522, 2532

No. of Spline Teeth	L1	L2	L3	L4	L5	L6	L7	BUSHING (mm)	OFFSET	INCLINATION (deg)	SPLINE TYPE	CONTROL ARM
26	145							14	60	+34.5	N42x1.5x9H DIN 5480	Double Bent (short; R=65 mm)
26	145							14	-60	+34.5	N42x1.5x9H DIN 5480	Double Bent (short; R=65 mm)

## GTSA NO **77936** MERCEDES



**REFERENCE NO**  
79186

**CASTING**  
54096

**OEM NO**  
3844207438  
3854207438

SIDE	AXLE	MODEL
LEFT&RIGHT		

No. of Spline Teeth	L1	L2	L3	L4	L5	L6	L7	BUSHING (mm)	OFFSET	INCLINATION (deg)	SPLINE TYPE	CONTROL ARM
26	145							14	0	180	N42x1.5x9H DIN 5480	double bent (medium; R=78mm)

## GTSA NO **70961** MERCEDES



**REFERENCE NO**  
72211

**CASTING**  
54035

**OEM NO**  
14700 3574201138  
4731261 KB2715

SIDE	AXLE	MODEL
LEFT		

No. of Spline Teeth	L1	L2	L3	L4	L5	L6	L7	BUSHING (mm)	OFFSET	INCLINATION (deg)	SPLINE TYPE	CONTROL ARM
26	130							14	-15	-14	N42x1.5x9H DIN 5480	Double bent (medium; R=78 mm)
26	130							14	15	-14	N42x1.5x9H DIN 5480	Double bent (medium; R=78 mm)

## GTSA NO **70789** MERCEDES



**REFERENCE NO**  
72039

**CASTING**  
54005

**OEM NO**  
6234200638  
6234200438

SIDE	AXLE	MODEL
LEFT	2	1419, 1420, 1422, 1424, 1624, 1824, 1827, 2422, 2522, 2532

No. of Spline Teeth	L1	L2	L3	L4	L5	L6	L7	BUSHING (mm)	OFFSET	INCLINATION (deg)	SPLINE TYPE	CONTROL ARM
26	145							14	60	+34.5	N42x1.5x9H DIN 5480	Double Bent (short; R=65 mm)
26	145							14	-60	+34.5	N42x1.5x9H DIN 5480	Double Bent (short; R=65 mm)

## GTSA NO **70962** MERCEDES



**REFERENCE NO**  
72212

**CASTING**  
54036

**OEM NO**  
14699 3574201238  
4731279 KB2720

SIDE	AXLE	MODEL
RIGHT		

No. of Spline Teeth	L1	L2	L3	L4	L5	L6	L7	BUSHING (mm)	OFFSET	INCLINATION (deg)	SPLINE TYPE	CONTROL ARM
26	130							14	-15	-14	N42x1.5x9H DIN 5480	Double bent (medium; R=78 mm)
26	130							14	15	-14	N42x1.5x9H DIN 5480	Double bent (medium; R=78 mm)

## AUTOMATIC BRAKE ADJUSTER

GTSA NO **79399**

MERCEDES



**REFERENCE NO**  
80649

**CASTING**  
55018

**OEM NO**  
9604200438

GTSA NO **79400**

MERCEDES



**REFERENCE NO**  
80650

**CASTING**  
55031

**OEM NO**  
9604200538

SIDE	AXLE	MODEL
LEFT		AROCS

SIDE	AXLE	MODEL
RIGHT		AROCS

No. of Spline Teeth	L1	L2	L3	L4	L5	L6	L7	BUSHING (mm)	OFFSET	INCLINATION (deg)	SPLINE TYPE	CONTROL ARM
26	145							14	-56	15	N42x1.5x9H DIN 5480	Double bent (medium; R=69 mm)
26	145							14	56	15	N42x1.5x9H DIN 5480	Double bent (medium; R=69 mm)

GTSA NO **79401**

MERCEDES



**REFERENCE NO**  
80651

**CASTING**  
55018

**OEM NO**  
9604200238

GTSA NO **79402**

MERCEDES



**REFERENCE NO**  
80652

**CASTING**  
55017

**OEM NO**  
9604200338

SIDE	AXLE	MODEL
LEFT		AROCS

SIDE	AXLE	MODEL
RIGHT		AROCS

No. of Spline Teeth	L1	L2	L3	L4	L5	L6	L7	BUSHING (mm)	OFFSET	INCLINATION (deg)	SPLINE TYPE	CONTROL ARM
26	145							14	-56	15	N42x1.5x9H DIN 5480	Double bent (medium; R=69 mm)
26	145							14	56	15	N42x1.5x9H DIN 5480	Double bent (medium; R=69 mm)

GTSA NO **71167**

MERCEDES



**REFERENCE NO**  
80467

**CASTING**  
55015

**OEM NO**  
9604200138

GTSA NO **71168**

MERCEDES



**REFERENCE NO**  
80468

**CASTING**  
55016

**OEM NO**  
9604200038

SIDE	AXLE	MODEL
RIGHT		AROCS

SIDE	AXLE	MODEL
LEFT		AROCS

No. of Spline Teeth	L1	L2	L3	L4	L5	L6	L7	BUSHING (mm)	OFFSET	INCLINATION (deg)	SPLINE TYPE	CONTROL ARM
26	145							14	-37	34	N42x1.5x9H DIN 5480	Double bent (medium; R=69 mm)
26	145							14	37	34	N42x1.5x9H DIN 5480	Double bent (medium; R=69 mm)

# AUTOMATIC BRAKE ADJUSTER

GTS NO	HALDEX NO.	CASTING	APPLICATION	NO of SPLINE TEETH	L1	L2	L3	L4	L5	L6	L7	BUSHING (mm)	OFFSET	INCLINATION (deg)	SPLINE TYPE	CONTROL ARM
69268	70518	52882	MERCEDES	19	110							14	0	27	A38x34 DIN 5482	Double Bent (Short; R=65 mm)
69269	70519	52866	MERCEDES	19	105							14	0	105	A38x34 DIN 5482	Double Bent (Short; R=65 mm)
69452	70702	52882	MERCEDES	19	110							14	0	27	A38x34 DIN 5482	Double Bent (Short; R=65 mm)
69503	70753	53162	MERCEDES	26	145							14	18	34	N42x1.5x9H DIN 5480	Double bent (medium; R=78 mm)
69504	70754	53163	MERCEDES	26	145							14	-18	34	N42x1.5x9H DIN 5480	Double bent (medium; R=78 mm)
69509	70759	53166	MERCEDES	19	130							14	0	120	A38x34 DIN 5482	Double Bent (Short; R=65 mm)
69521	70771	53196	Neoplan	26	115							14	15	-24	N42x1.5x9H DIN 5480	Double bent (medium; R=78 mm)
69522	70772	53195	Neoplan	26	115							14	-15	-24	N42x1.5x9H DIN 5480	Double bent (medium; R=78 mm)
69539	70789	53216	MERCEDES	26	215							14	-26	10,5	N42x1.5x9H DIN 5480	Double Bent (Short; R=65 mm)
69617	70867	53177	MERCEDES	26	145							14	0	132,5	N42x1.5x9H DIN 5480	Double bent (medium; R=78 mm)
69620	70870	53194	MERCEDES	26	110							14	0	120	N42x1.5x9H DIN 5480	Double Bent (Short; R=65 mm)
69667	70917	53186	MERCEDES	26	145							14	56	4	N42x1.5x9H DIN 5480	Straight
69668	70918	53185	MERCEDES	26	145							14	-56	4	N42x1.5x9H DIN 5480	Double Bent (Short; R=65 mm)
69700	70950	52882	MERCEDES	26	110							14	0	27	N42x1.5x9H DIN 5480	Double Bent (Short; R=65 mm)
69702	70952	53879	MERCEDES	26	145							14	-56	15	N42x1.5x9H DIN 5480	Double Bent (Short; R=65 mm)
69703	70953	53878	MERCEDES	26	145							14	56	15	N42x1.5x9H DIN 5480	Double Bent (Short; R=65 mm)
69704	70954	54024	MERCEDES	26	145							14	0	132,5	N42x1.5x9H DIN 5480	Double Bent (Short; R=65 mm)
69705	70955	53880	MERCEDES	26	145							14	-18	105	N42x1.5x9H DIN 5480	Double bent (medium; R=78 mm)
69706	70956	53881	MERCEDES	26	145							14	18	105	N42x1.5x9H DIN 5480	Double bent (medium; R=78 mm)
69740	70990	54045	MERCEDES	26	145							14	-18	34	N42x1.5x9H DIN 5480	Double Bent (Short; R=65 mm)
69741	70991	54044	MERCEDES	26	145							14	18	34	N42x1.5x9H DIN 5480	Double Bent (Short; R=65 mm)
69742	70992	53896	MERCEDES	26	145							14	-50	15	N42x1.5x9H DIN 5480	Double Bent (Short; R=65 mm)
69743	70993	53897	MERCEDES	26	145							14	50	15	N42x1.5x9H DIN 5480	Double Bent (Short; R=65 mm)
70786	72036	53893	MERCEDES	26	145							14	56	-5	N42x1.5x9H DIN 5480	Double Bent (Short; R=65 mm)
70787	72037	53892	MERCEDES	26	145							14	-56	-5	N42x1.5x9H DIN 5480	Double Bent (Short; R=65 mm)
70790	72040	54010	MERCEDES	26	145							14	-42	105	N42x1.5x9H DIN 5480	Double Bent (Short; R=65 mm)
70791	72041	54011	MERCEDES	26	145							14	42	105	N42x1.5x9H DIN 5480	Double Bent (Short; R=65 mm)
70796	72046	54024	MERCEDES	26	145							14	0	132,5	N42x1.5x9H DIN 5480	Double Bent (Short; R=65 mm)
70804	72054	54077	MERCEDES	26	145							14	60	-10	N42x1.5x9H DIN 5480	Double Bent (Short; R=65 mm)
70805	72055	54078	MERCEDES	26	145							14	-60	-10	N42x1.5x9H DIN 5480	Double Bent (Short; R=65 mm)
70806	72056	53900	MERCEDES	26	145							14	0	37	N42x1.5x9H DIN 5480	Double bent (medium; R=78 mm)
70812	72062	54019	MERCEDES	26	145							14	37	34	N42x1.5x9H DIN 5480	Double bent (medium; R=78 mm)
70813	72063	54018	MERCEDES	26	145							14	-37	34	N42x1.5x9H DIN 5480	Double bent (medium; R=78 mm)
70814	72064	54016	MERCEDES	26	145							14	-63	-20	N42x1.5x9H DIN 5480	Double Bent (Short; R=65 mm)
70815	72065	54017	MERCEDES	26	145							14	63	-20	N42x1.5x9H DIN 5480	Double Bent (Short; R=65 mm)
70819	72069	53185	MERCEDES	26	145							14	-56	4	N42x1.5x9H DIN 5480	Double Bent (Short; R=65 mm)
70820	72070	53186	MERCEDES	26	145							14	56	4	N42x1.5x9H DIN 5480	Double Bent (Short; R=65 mm)
70846	72096	54022	MERCEDES	26	145							14	-31	-24	N42x1.5x9H DIN 5480	Double bent (medium; R=78 mm)
70847	72097	54023	MERCEDES	26	145							14	31	-24	N42x1.5x9H DIN 5480	Double bent (medium; R=78 mm)
70870	72120	54025	MERCEDES	26	145							14	-31	15,5	N42x1.5x9H DIN 5480	Double Bent (Short; R=65 mm)
70871	72121	54026	MERCEDES	26	145							14	31	15,5	N42x1.5x9H DIN 5480	Double Bent (Short; R=65 mm)
70877	72127	54017	MERCEDES	26	145							14	63	-20	N42x1.5x9H DIN 5480	Double Bent (Short; R=65 mm)
70878	72128	54016	MERCEDES	26	145							14	-63	-20	N42x1.5x9H DIN 5480	Double Bent (Short; R=65 mm)
70928	72178	54049	MERCEDES	26	145							14	0	172	N42x1.5x9H DIN 5480	Double bent (medium; R=78 mm)
70961	72211	54035	MERCEDES	26	130							14	-15	-14	N42x1.5x9H DIN 5480	Double bent (medium; R=78 mm)
70962	72212	54036	MERCEDES	26	130							14	15	-14	N42x1.5x9H DIN 5480	Double bent (medium; R=78 mm)
70984	72234	54019	MERCEDES	26	145							14	37	34	N42x1.5x9H DIN 5480	Double bent (medium; R=78 mm)
70985	72235	54018	MERCEDES	26	145							14	-37	34	N42x1.5x9H DIN 5480	Double bent (medium; R=78 mm)

All manufacturer names, trademarks, product descriptions contained in this product catalog are for reference only. All reference numbers are for comparison purposes.

## AUTOMATIC BRAKE ADJUSTER

G TSA NO	HALDEX NO.	CASTING	APPLICATION	NO of SPLINE TEETH	L1	L2	L3	L4	L5	L6	L7	BUSHING (mm)	OFFSET	INCLINATION (deg)	SPLINE TYPE	CONTROL ARM
71058	72308	53177	MERCEDES	26	145							14	0	132,5	N42x1.5x9H DIN 5480	Double bent (medium; R=78 mm)
71104	72354	54052	MERCEDES	26	145							14	63	-28	N42x1.5x9H DIN 5480	Double Bent (Short; R=65 mm)
71105	72355	54053	MERCEDES	26	145							14	-63	-28	N42x1.5x9H DIN 5480	Double Bent (Short; R=65 mm)
71343	72593	54019	MERCEDES	26	145							14	37	34	N42x1.5x9H DIN 5480	Double bent (medium; R=78 mm)
71344	72594	54018	MERCEDES	26	145							14	-37	34	N42x1.5x9H DIN 5480	Double bent (medium; R=78 mm)
71347	72597	54068	MERCEDES	26	145							14	50	34	N42x1.5x9H DIN 5480	Double bent (medium; R=78 mm)
71348	72598	54069	MERCEDES	26	145							14	-50	34	N42x1.5x9H DIN 5480	Double bent (medium; R=78 mm)
71366	72616	53878	MERCEDES	26	145							14	56	15	N42x1.5x9H DIN 5480	Double Bent (Short; R=65 mm)
71367	72617	53879	MERCEDES	26	145							14	-56	15	N42x1.5x9H DIN 5480	Double Bent (Short; R=65 mm)
71669	72919	53185	MERCEDES	26	145							14	-56	4	N42x1.5x9H DIN 5480	Double Bent (Short; R=65 mm)
71670	72920	53186	MERCEDES	26	145							14	56	4	N42x1.5x9H DIN 5480	Double Bent (Short; R=65 mm)
77823	79073	53878	MERCEDES	26	145							14	56	15	N42x1.5x9H DIN 5480	Double Bent (Short; R=65 mm)
77824	79074	53879	MERCEDES	26	145							14	-56	15	N42x1.5x9H DIN 5480	Double Bent (Short; R=65 mm)
77849	79099	53185	MERCEDES	26	145							14	-56	4	N42x1.5x9H DIN 5480	Double Bent (Short; R=65 mm)
77850	79100	53186	MERCEDES	26	145							14	56	4	N42x1.5x9H DIN 5480	Double Bent (Short; R=65 mm)
77882	79132	54085	MERCEDES	26	145							14	0	0	N42x1.5x9H DIN 5480	Double Bent (Short; R=65 mm)
77886	79136	53879	MERCEDES	26	145							14	-56	15	N42x1.5x9H DIN 5480	Double Bent (Short; R=65 mm)
77887	79137	53878	MERCEDES	26	145							14	56	15	N42x1.5x9H DIN 5480	Double Bent (Short; R=65 mm)
77935	79185	53900	MERCEDES	26	145							14	0	37	N42x1.5x9H DIN 5480	Double Bent (Short; R=65 mm)
77936	79186	54096	MERCEDES	26	145							14	0	180	N42x1.5x9H DIN 5480	Double bent (medium; R=78 mm)
78913	80163	55018	MERCEDES	26	145							14	-56	15	N42x1.5x9H DIN 5480	Double Bent (Short; R=65 mm)
78914	80164	55017	MERCEDES	26	145							14	56	15	N42x1.5x9H DIN 5480	Double Bent (Short; R=65 mm)
78915	80165	55016	MERCEDES	26	145							14	37	34	N42x1.5x9H DIN 5480	Double bent (medium; R=78 mm)
78916	80166	55015	MERCEDES	26	145							14	-37	34	N42x1.5x9H DIN 5480	Double bent (medium; R=78 mm)
78917	80167	55031	MERCEDES	26	145							14	56	15	N42x1.5x9H DIN 5480	Double Bent (Short; R=65 mm)

# AUTOMATIC BRAKE ADJUSTER

**GTSA NO 78930** MAN



**REFERENCE NO**  
80180

**CASTING**  
55020

**OEM NO**  
81506106251  
81506106261

SIDE	AXLE	MODEL
LEFT	2	TGA Series

No. of Spline Teeth	L1	L2	L3	L4	L5	L6	L7	BUSHING (mm)	OFFSET	INCLINATION (deg)	SPLINE TYPE	CONTROL ARM
26	145							14	-56	-5	N42x1.5x9H DIN 5480	Double Bent (short; R=65 mm)
26	145							14	56	-5	N42x1.5x9H DIN 5480	Double Bent (short; R=65 mm)

**GTSA NO 78931** MAN



**REFERENCE NO**  
80181

**CASTING**  
55019

**OEM NO**  
81506106252  
81506106262

SIDE	AXLE	MODEL
RIGHT	2	TGA Series

**GTSA NO 78926** MAN



**REFERENCE NO**  
80176

**CASTING**  
55018

**OEM NO**  
81506106253  
81506106263

SIDE	AXLE	MODEL
LEFT	2	TGA Series

No. of Spline Teeth	L1	L2	L3	L4	L5	L6	L7	BUSHING (mm)	OFFSET	INCLINATION (deg)	SPLINE TYPE	CONTROL ARM
26	145							14	-56	15	N42x1.5x12H DIN 5480	Double Bent (short; R=65 mm)
26	145							14	56	15	N42x1.5x12H DIN 5480	Double Bent (short; R=65 mm)

**GTSA NO 78927** MAN



**REFERENCE NO**  
80177

**CASTING**  
55017

**OEM NO**  
81506106256  
81506106264

SIDE	AXLE	MODEL
RIGHT	2	TGA Series

**GTSA NO 78926** MAN



**REFERENCE NO**  
80176

**CASTING**  
55018

**OEM NO**  
81506106253  
81506106263

SIDE	AXLE	MODEL
LEFT	2	TGA Series

No. of Spline Teeth	L1	L2	L3	L4	L5	L6	L7	BUSHING (mm)	OFFSET	INCLINATION (deg)	SPLINE TYPE	CONTROL ARM
26	145							14	-56	15	N42x1.5x12H DIN 5480	Double Bent (short; R=65 mm)
26	145							14	56	15	N42x1.5x12H DIN 5480	Double Bent (short; R=65 mm)

**GTSA NO 78933** MAN



**REFERENCE NO**  
80183

**CASTING**  
55031

**OEM NO**  
81506106258  
81506106266

SIDE	AXLE	MODEL
RIGHT	2	TGA Series

All manufacturer names, trademarks, product descriptions contained in this product catalog are for reference only. All reference numbers are for comparison purposes.

## AUTOMATIC BRAKE ADJUSTER

### GTSA NO **78928** MAN



**REFERENCE NO**  
80178

**CASTING**  
55016

**OEM NO**  
81506106255  
81506106259

SIDE	AXLE	MODEL
LEFT	1	TGA Series

No. of Spline Teeth	L1	L2	L3	L4	L5	L6	L7	BUSHING (mm)	OFFSET
26	145							14	37
26	145							14	-37

### GTSA NO **78929** MAN



**REFERENCE NO**  
80179

**CASTING**  
55015

**OEM NO**  
81506106254  
81506106260

SIDE	AXLE	MODEL
RIGHT	1	TGA Series

INCLINATION (deg)	SPLINE TYPE	CONTROL ARM
34	N42x1.5x12H DIN 5480	Double Bent (medium; R=78 mm)
34	N42x1.5x12H DIN 5480	Double Bent (medium; R=78 mm)

### GTSA NO **77958** MAN



**REFERENCE NO**  
79208

**CASTING**  
53185

**OEM NO**  
81506106211  
81506106235  
81506106165

SIDE	AXLE	MODEL
LEFT	2	F 2000 Series, F 90 Series, M 2000 Series, TGA Series

No. of Spline Teeth	L1	L2	L3	L4	L5	L6	L7	BUSHING (mm)	OFFSET
26	145							14	-56
26	145							14	56

### GTSA NO **77959** MAN



**REFERENCE NO**  
79209

**CASTING**  
53186

**OEM NO**  
81506106210  
81506106234  
81506106166

SIDE	AXLE	MODEL
RIGHT	2	F 2000 Series, F 90 Series, M 2000 Series, TGA Series

INCLINATION (deg)	SPLINE TYPE	CONTROL ARM
4	N42x1.5x12H DIN 5480	Double Bent (short; R=65 mm)
4	N42x1.5x9H DIN 5480	Double Bent (short; R=65 mm)

### GTSA NO **77960** MAN



**REFERENCE NO**  
79210

**CASTING**  
53162

**OEM NO**  
81506106153  
81506106213  
81506106083

SIDE	AXLE	MODEL
LEFT	1	F 2000 Series, F 90 Series, L 2000 Series, M 2000 Series, M 90 Series, TGA Series

No. of Spline Teeth	L1	L2	L3	L4	L5	L6	L7	BUSHING (mm)	OFFSET
26	145							14	18
26	145							14	-18

### GTSA NO **77961** MAN



**REFERENCE NO**  
79211

**CASTING**  
53163

**OEM NO**  
81506106154  
81506106212  
81506106084

SIDE	AXLE	MODEL
RIGHT	1	F 2000 Series, F 90 Series, L 2000 Series, M 2000 Series, M 90 Series, TGA Series

INCLINATION (deg)	SPLINE TYPE	CONTROL ARM
34	N42x1.5x9H DIN 5480	Double Bent (medium; R=78 mm)
34	N42x1.5x9H DIN 5480	Double Bent (medium; R=78 mm)



# AUTOMATIC BRAKE ADJUSTER

GTSA NO **77962**

MAN



**REFERENCE NO**  
79212

**CASTING**  
53177

**OEM NO**  
81506108151  
81506109151  
81506106081  
81506106151  
81506106231

SIDE	AXLE	MODEL
LEFT&RIGHT	1	F 2000 Series, F 90 Series, M 2000 Series, M 90 Series

No. of Spline Teeth	L1	L2	L3	L4	L5	L6	L7	BUSHING (mm)	OFFSET	INCLINATION (deg)	SPLINE TYPE	CONTROL ARM
26	145							14	0	+132.5	N42x1.5x9H DIN 5480	Double Bent (medium; R=78 mm)

GTSA NO **77973**

MAN



**REFERENCE NO**  
79223

**CASTING**  
53070

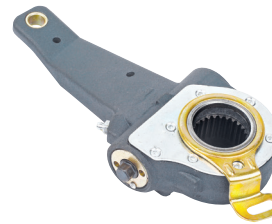
**OEM NO**  
81506106128  
81506106188  
81506106220  
81506106078

SIDE	AXLE	MODEL
LEFT	2, 3, 4	16.232 TRUCK, 3 AXLE RIGID, 4 AXLE RIGID, 26.280

No. of Spline Teeth	L1	L2	L3	L4	L5	L6	L7	BUSHING (mm)	OFFSET
26	215							14	-45
26	215							14	45

GTSA NO **77974**

MAN



**REFERENCE NO**  
79224

**CASTING**  
53071

**OEM NO**  
81506106129  
81506106187  
81506106221  
81506106077

SIDE	AXLE	MODEL
RIGHT	2, 3, 4	16.232 TRUCK, 3 AXLE RIGID, 4 AXLE RIGID, 26.280

No. of Spline Teeth	L1	L2	L3	L4	L5	L6	L7	BUSHING (mm)	OFFSET	INCLINATION (deg)	SPLINE TYPE	CONTROL ARM
26	215							14	-45	10	N42x1.5x9H DIN 5480	Double Bent (short; R=65 mm)
26	215							14	45	10	N42x1.5x9H DIN 5480	Double Bent (short; R=65 mm)

GTSA NO **77955**

MAN



**REFERENCE NO**  
79205

**CASTING**  
53878

**OEM NO**  
81506106176  
81506106214  
8150610018176  
81506106140

SIDE	AXLE	MODEL
RIGHT	2	F 2000 Series, F 90 Series, M 2000 Series, M 90 Series, TGA Series

No. of Spline Teeth	L1	L2	L3	L4	L5	L6	L7	BUSHING (mm)	OFFSET	INCLINATION (deg)	SPLINE TYPE	CONTROL ARM
26	145							14	56	15	N42x1.5x9H DIN 5480	Double Bent (short; R=65 mm)
26	145							14	-56	15	N42x1.5x9H DIN 5480	Double Bent (short; R=65 mm)

GTSA NO **77956**

MAN



**REFERENCE NO**  
79206

**CASTING**  
53879

**OEM NO**  
81506106177  
81506106215  
810661019177  
81506106139

SIDE	AXLE	MODEL
LEFT	2	F 2000 Series, F 90 Series, M 2000 Series, M 90 Series, TGA Series

No. of Spline Teeth	L1	L2	L3	L4	L5	L6	L7	BUSHING (mm)	OFFSET	INCLINATION (deg)	SPLINE TYPE	CONTROL ARM
26	145							14	56	15	N42x1.5x9H DIN 5480	Double Bent (short; R=65 mm)
26	145							14	-56	15	N42x1.5x9H DIN 5480	Double Bent (short; R=65 mm)

## AUTOMATIC BRAKE ADJUSTER

GTSA NO **77975**

MAN



**REFERENCE NO**  
79225

**CASTING**  
53522

**OEM NO**  
815061034170  
81506106126  
81506106170  
81506106222

GTSA NO **77976**

MAN



**REFERENCE NO**  
79226

**CASTING**  
53523

**OEM NO**  
815061035169  
81506106127  
81506106169  
81506106223

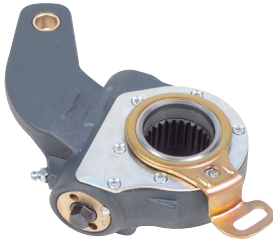
SIDE	AXLE	MODEL
RIGHT	1	

SIDE	AXLE	MODEL
LEFT	1	

No. of Spline Teeth	L1	L2	L3	L4	L5	L6	L7	BUSHING (mm)	OFFSET	INCLINATION (deg)	SPLINE TYPE	CONTROL ARM
26	130							14	-15	120	N42x1.5x9H DIN 5480	Double Bent (short; R=65 mm)
26	130							14	15	120	N42x1.5x9H DIN 5480	Double Bent (short; R=65 mm)

GTSA NO **77969**

MAN



**REFERENCE NO**  
79219

**CASTING**  
53163

**OEM NO**  
815061024182  
81506106182  
81506106204

GTSA NO **77970**

MAN



**REFERENCE NO**  
79220

**CASTING**  
53162

**OEM NO**  
815061025181  
81506106181  
81506106203

SIDE	AXLE	MODEL
RIGHT	2	

SIDE	AXLE	MODEL
LEFT	2	

No. of Spline Teeth	L1	L2	L3	L4	L5	L6	L7	BUSHING (mm)	OFFSET	INCLINATION (deg)	SPLINE TYPE	CONTROL ARM
26	130							14	-18	34	N42x1.5x9H DIN 5480	Double Bent (short; R=65 mm)
26	130							14	18	34	N42x1.5x9H DIN 5480	Double Bent (short; R=65 mm)

GTSA NO **77965**

MAN



**REFERENCE NO**  
79215

**CASTING**  
53226

**OEM NO**  
81506106209  
815061014167  
815061015167  
81506106098  
81506106167

SIDE	AXLE	MODEL
LEFT&RIGHT	2	BUS

No. of Spline Teeth	L1	L2	L3	L4	L5	L6	L7	BUSHING (mm)	OFFSET	INCLINATION (deg)	SPLINE TYPE	CONTROL ARM
26	130							14	0	-38	N42x1.5x9H DIN 5480	Double Bent (short; R=65 mm)

## AUTOMATIC BRAKE ADJUSTER

G TSA NO **77966**

MAN



**REFERENCE NO**  
79216

**CASTING**  
54028

**OEM NO**  
81506106178  
81506106206  
81056106150  
81056106206  
815061020178  
81506106150

G TSA NO **77967**

MAN



**REFERENCE NO**  
79217

**CASTING**  
54027

**OEM NO**  
815061021179  
81506106149  
81506106179  
81506106205

SIDE	AXLE	MODEL
LEFT	2	

SIDE	AXLE	MODEL
RIGHT	2	

No. of Spline Teeth	L1	L2	L3	L4	L5	L6	L7	BUSHING (mm)	OFFSET	INCLINATION (deg)	SPLINE TYPE	CONTROL ARM
26	130							14	-40	28	N42x1.5x9H DIN 5480	Double Bent (short; R=65 mm)
26	130							14	40	28	N42x1.5x9H DIN 5480	Double Bent (short; R=65 mm)

GTS NO	HALDEX NO.	CASTING	APPLICATION	NO of SPLINE TEETH	L1	L2	L3	L4	L5	L6	L7	BUSHING (mm)	OFFSET	INCLINATION (deg)	SPLINE TYPE	CONTROL ARM
69365	70615	52897	MAN	20	215							14	0	0	A40x36 DIN 5482	Bent
70958	72208	52752	MAN	26	145							14	0	0	N42x1.5x9H DIN 5480	Double bent (short; R=65 mm)
71053	72303	53185	MAN	26	145							14	-56	4	N42x1.5x9H DIN 5480	Double bent (short; R=65 mm)
71070	72320	53162	MAN	26	145							14	18	34	N42x1.5x9H DIN 5480	Double bent (medium; R=78 mm)
71071	72321	53163	MAN	26	145							14	-18	34	N42x1.5x9H DIN 5480	Double bent (medium; R=78 mm)
71087	72337	54047	MAN	26	145							14	26	0	N42x1.5x9H DIN 5480	Double bent (short; R=65 mm)
71088	72338	54046	MAN	26	145							14	-26	0	N42x1.5x9H DIN 5480	Double bent (short; R=65 mm)
71188	72438	54104	MAN	26	130							14	0	0	N42x1.5x9H DIN 5480	Double bent (short; R=65 mm)
71256	72506	53216	MAN	26	215							14	-26	10,5	N42x1.5x9H DIN 5480	Double bent (short; R=65 mm)
71257	72507	53217	MAN	26	215							14	26	10,5	N42x1.5x9H DIN 5480	Double bent (short; R=65 mm)
71259	72509	53071	MAN	26	215							14	45	10	N42x1.5x9H DIN 5480	Double bent (short; R=65 mm)
71328	72578	52752	MAN	26	145							14	0	0	N42x1.5x9H DIN 5480	Double bent (short; R=65 mm)
71401	72651	--	MAN	26	145							14	50	15	N42x1.5x9H DIN 5480	Double bent (medium; R=78 mm)
71481	72731	53163	MAN	26	130							14	-18	34	N42x1.5x9H DIN 5480	Double bent (short; R=65 mm)
71482	72732	53162	MAN	26	130							14	18	34	N42x1.5x9H DIN 5480	Double bent (short; R=65 mm)
71615	72865	52752	MAN	26	145							14	0	0	N42x1.5x9H DIN 5480	Double bent (short; R=65 mm)
77943	79193	54085	MAN	26	145							14	0	0	N42x1.5x9H DIN 5480	Double bent (short; R=65 mm)
77944	79194	53166	MAN	26	130							14	0	120	N42x1.5x9H DIN 5480	Double bent (short; R=65 mm)
77945	79195	54030	MAN	26	145							14	-56	-15	N42x1.5x9H DIN 5480	Double bent (short; R=65 mm)
77946	79196	54031	MAN	26	145							14	56	-15	N42x1.5x9H DIN 5480	Double bent (short; R=65 mm)
77947	79197	53216	MAN	26	215							14	-26	10,5	N42x1.5x9H DIN 5480	Double bent (short; R=65 mm)
77948	79198	53217	MAN	26	215							14	26	10,5	N42x1.5x9H DIN 5480	Double bent (short; R=65 mm)
77949	79199	53215	MAN	26	250	210						14	45	10	N42x1.5x9H DIN 5480	Double bent (short; R=65 mm)
77950	79200	53214	MAN	26	250	210						14	-45	10	N42x1.5x9H DIN 5480	Double bent (short; R=65 mm)
77951	79201	52897	MAN	26	215							14	0	0	N42x1.5x9H DIN 5480	Double bent (short; R=65 mm)
77952	79202	53226	MAN	26	130							14	0	-38	N42x1.5x9H DIN 5480	Double bent (short; R=65 mm)
77953	79203	53195	MAN	26	115							14	-15	-24	N42x1.5x9H DIN 5480	Double bent (medium; R=78 mm)
77954	79204	53196	MAN	26	115							14	15	-24	N42x1.5x9H DIN 5480	Double bent (medium; R=78 mm)
77957	79207	52752	MAN	26	145							14	0	0	N42x1.5x12H DIN 5480	Double bent (short; R=65 mm)
77963	79213	54047	MAN	26	145							14	26	0	N42x1.5x9H DIN 5480	Double bent (short; R=65 mm)
77964	79214	54046	MAN	26	145							14	-26	0	N42x1.5x9H DIN 5480	Double bent (short; R=65 mm)
77968	79218	54104	MAN	26	130							14	0	0	N42x1.5x9H DIN 5480	Double bent (short; R=65 mm)
77971	79221	53216	MAN	26	215							14	-26	10,5	N42x1.5x9H DIN 5480	Double bent (short; R=65 mm)
77972	79222	53217	MAN	26	215							14	26	10,5	N42x1.5x9H DIN 5480	Double bent (short; R=65 mm)
77977	79227	52752	MAN	26	145							14	0	0	N42x1.5x9H DIN 5480	Double bent (short; R=65 mm)
77978	79228	53163	MAN	26	130							14	-18	34	N42x1.5x9H DIN 5480	Double bent (short; R=65 mm)
77979	79229	53162	MAN	26	130							14	18	34	N42x1.5x9H DIN 5480	Double bent (short; R=65 mm)
78264	79514	53185	MAN	26	145							14	-56	4	N42x1.5x12H DIN 5480	Double bent (short; R=65 mm)
78265	79515	53186	MAN	26	145							14	56	4	N42x1.5x9H DIN 5480	Double bent (short; R=65 mm)
78443	79693	54057	MAN	26	190							14	35	-29	N42x1.5x9H DIN 5480	Double bent (medium; R=78 mm)
78444	79694	54056	MAN	26	190							14	-35	-29	N42x1.5x9H DIN 5480	Double bent (medium; R=78 mm)
78445	79695	52752	MAN	26	145							14	0	0	N42x1.5x12H DIN 5480	Double bent (short; R=65 mm)
78475	79725	54018	MAN	26	145							14	-37	34	N42x1.5x12H DIN 5480	Double bent (medium; R=78 mm)
78476	79726	54019	MAN	26	145							14	37	34	N42x1.5x12H DIN 5480	Double bent (medium; R=78 mm)

# AUTOMATIC BRAKE ADJUSTER

## GTSA NO **71410** SCANIA



**REFERENCE NO**  
72660

**CASTING**  
53662

**OEM NO**  
1112833

SIDE		AXLE		MODEL						
LEFT		2, 3, 4		F82, K113, K93CLB, L113, L94, K113CL, K113TL, G82, G112, P112, R112, R142, T142, P82, G92, P92, R92, P113MA, G93, P93, R93, P113, R113, R143, T93, T113, T143, N113 4 Series/ 94, 114, 124,144, T,94, T114, T124						
No. of Spline Teeth	L1	L2	L3	L4	L5	L6	L7	BUSHING (mm)	OFFSET	
10	165							16	25	
10	165							16	-25	

## GTSA NO **71411** SCANIA



**REFERENCE NO**  
72661

**CASTING**  
53663

**OEM NO**  
1112834

SIDE		AXLE		MODEL								
RIGHT		2, 3, 4		F82, K113, K93CLB, L113, L94, K113CL, K113TL, G82, G112, P112, R112, R142, T142, P82, G92, P92, R92, P113MA, G93, P93, R93, P113, R113, R143, T93, T113, T143, N113, 4 Series/ 94, 114, 124,144, T,94, T114, T124								
No. of Spline Teeth	L1	L2	L3	L4	L5	L6	L7	BUSHING (mm)	OFFSET	INCLINATION (deg)	SPLINE TYPE	CONTROL ARM
10	165							16	25	-42	SAE 1 1/2" 10 C	Double Bent (long; R=100 mm)
10	165							16	-25	-42	SAE 1 1/2" 10 C	Double Bent (long; R=100 mm)

## GTSA NO **78192** SCANIA



**REFERENCE NO**  
79442

**CASTING**  
54083

**OEM NO**  
1358634

SIDE		AXLE		MODEL						
RIGHT		1		L 94, 4 Series/ 94, 114, 124,144, 4 Series/ T94, T114, T124						
No. of Spline Teeth	L1	L2	L3	L4	L5	L6	L7	BUSHING (mm)	OFFSET	
10	165							16	-65	
10	165							16	65	

## GTSA NO **78193** SCANIA



**REFERENCE NO**  
79443

**CASTING**  
54084

**OEM NO**  
1358635

SIDE		AXLE		MODEL								
LEFT		1		L 94, 4 Series/ 94, 114, 124,144, 4 Series/ T94, T114, T124								
No. of Spline Teeth	L1	L2	L3	L4	L5	L6	L7	BUSHING (mm)	OFFSET	INCLINATION (deg)	SPLINE TYPE	CONTROL ARM
10	165							16	-65	0	SAE 1 1/2" 10 C	Double Bent (short; R=65 mm)
10	165							16	65	0	SAE 1 1/2" 10 C	Double Bent (short; R=65 mm)

## GTSA NO **71413** SCANIA



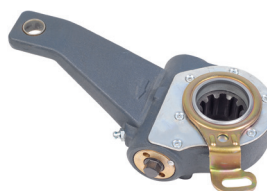
**REFERENCE NO**  
72663

**CASTING**  
53705

**OEM NO**  
1112829

SIDE		AXLE		MODEL						
LEFT		1		BR112, DR113, F82, K112, K82, N113, F113, 2 Series all models, 3 Series all models						
No. of Spline Teeth	L1	L2	L3	L4	L5	L6	L7	BUSHING (mm)	OFFSET	
10	165							16	50	
10	165							16	-50	

## GTSA NO **71414** SCANIA



**REFERENCE NO**  
72664

**CASTING**  
53704

**OEM NO**  
276526 276576  
1112830

SIDE		AXLE		MODEL								
RIGHT		1		BR112, DR113, F82, K112, K82, N113, F113, 2 Series all models, 3 Series all models								
No. of Spline Teeth	L1	L2	L3	L4	L5	L6	L7	BUSHING (mm)	OFFSET	INCLINATION (deg)	SPLINE TYPE	CONTROL ARM
10	165							16	50	0	SAE 1 1/2" 10 C	Double Bent (short; R=65 mm)
10	165							16	-50	0	SAE 1 1/2" 10 C	Double Bent (short; R=65 mm)

**AUTOMATIC BRAKE ADJUSTER**

GTSA NO **71412**

SCANIA



**REFERENCE NO**  
72662

**CASTING**  
53226

**OEM NO**  
1112831

SIDE	AXLE	MODEL
LEFT&RIGHT	2, 3	F113, S113, 1 Series LT, LBT Model, LT146, P92M, T112, T142, T82, T92, T93, T113, T143, G112, P112, R112, R142, G82, P82, G92, P92, R92, G93, P93, R93, P113, R113, R143, 4 Series/ 94, 114, 124, 144, 4 Series/ T114, T124

No. of Spline Teeth	L1	L2	L3	L4	L5	L6	L7	BUSHING (mm)	OFFSET	INCLINATION (deg)	SPLINE TYPE	CONTROL ARM
10	165							16	0	-38	SAE 1 1/2" 10 C	Double Bent (long; R=100 mm)

GTSA NO **71479**

SCANIA



**REFERENCE NO**  
72729

**CASTING**  
53884

**OEM NO**  
14561 383826

SIDE	AXLE	MODEL
RIGHT LEFT LEFT	3	G112 / P112 / R112 / R142, G93 / P93 / R93, P113 / R113 / R143

No. of Spline Teeth	L1	L2	L3	L4	L5	L6	L7	BUSHING (mm)	OFFSET	INCLINATION (deg)	SPLINE TYPE	CONTROL ARM
10	165							16	25	40	SAE 1 1/2" 10 C	Double Bent (short; R=65 mm)
10	165							16	-25	40	SAE 1 1/2" 10 C	Double Bent (short; R=65 mm)

GTSA NO **71480**

SCANIA



**REFERENCE NO**  
72730

**CASTING**  
53883

**OEM NO**  
14562 383825

SIDE	AXLE	MODEL
LEFT RIGHT RIGHT	3	G112 / P112 / R112 / R142 G93 / P93 / R93 P113 / R113 / R143

GTSA NO **78097**

SCANIA



**REFERENCE NO**  
79347

**CASTING**  
54021

**OEM NO**  
1112837 337389  
394187

SIDE	AXLE	MODEL
RIGHT LEFT LEFT		

No. of Spline Teeth	L1	L2	L3	L4	L5	L6	L7	BUSHING (mm)	OFFSET	INCLINATION (deg)	SPLINE TYPE	CONTROL ARM
10	165							16	-65	0	SAE 1 1/2" 10 C	Double Bent (short; R=65 mm)
10	165							16	65	0	SAE 1 1/2" 10 C	Double Bent (short; R=65 mm)

GTSA NO **78098**

SCANIA



**REFERENCE NO**  
79348

**CASTING**  
54020

**OEM NO**  
1112838 337390  
394188

SIDE	AXLE	MODEL
LEFT RIGHT RIGHT		

## AUTOMATIC BRAKE ADJUSTER

GTSA NO **78300**

SCANIA



**REFERENCE NO**  
79550

**CASTING**  
54083

**OEM NO**  
1356696

GTSA NO **78301**

SCANIA



**REFERENCE NO**  
79551

**CASTING**  
54084

**OEM NO**  
1356695

SIDE	AXLE	MODEL
LEFT		

SIDE	AXLE	MODEL
RIGHT		

No. of Spline Teeth	L1	L2	L3	L4	L5	L6	L7	BUSHING (mm)	OFFSET	INCLINATION (deg)	SPLINE TYPE	CONTROL ARM
10	165							16	-65	0	SAE 11/2" 10 C	Double Bent (short; R=65 mm)
10	165							16	65	0	SAE 11/2" 10 C	Double Bent (short; R=65 mm)

GTS NO	HALDEX NO.	CASTING	APPLICATION	NO of SPLINE TEETH	L1	L2	L3	L4	L5	L6	L7	BUSHING (mm)	OFFSET	INCLINATION (deg)	SPLINE TYPE	CONTROL ARM
70999	72249	52752	SCANIA	10	203	178	152	127				14	0	0	SAE 1 1/2" 10 C	Bent
71404	72654	53891	SCANIA	10	165	140						16	0	0	SAE 1 1/2" 10 C	Double bent (long; R=100 mm)
71405	72655	52894	SCANIA	10	151							12,7	47,6	22,5	SAE 1 1/2" 10 C	Double bent (short; R=65 mm)
71406	72656	52895	SCANIA	10	151							12,7	-47,6	22,5	SAE 1 1/2" 10 C	Double bent (short; R=65 mm)
71407	72657	52901	SCANIA	10	151							12,7	60,3	22,5	SAE 1 1/2" 10 C	Double bent (short; R=65 mm)
71408	72658	52902	SCANIA	10	151							12,7	-60,3	22,5	SAE 1 1/2" 10 C	Double bent (short; R=65 mm)
71415	72665	53704	SCANIA	10	165							16	-50	0	SAE 1 1/2" 10 C	Double bent (short; R=65 mm)
71416	72666	53705	SCANIA	10	165							16	50	0	SAE 1 1/2" 10 C	Double bent (short; R=65 mm)
71477	72727	52771	SCANIA	10	130							16	16	22,5	SAE 1 1/2" 10 C	Double bent (short; R=65 mm)
71478	72728	52772	SCANIA	10	130							16	-16	22,5	SAE 1 1/2" 10 C	Double bent (short; R=65 mm)
71494	72744	52987	SCANIA	10	165							16	38	-34	SAE 1 1/2" 10 C	Double bent (long; R=100 mm)
71495	72745	52985	SCANIA	10	165							16	-38	-34	SAE 1 1/2" 10 C	Double bent (long; R=100 mm)
71496	72746	52772	SCANIA	10	130							12,7	-16	22,5	SAE 1 1/2" 10 C	Double bent (short; R=65 mm)
71497	72747	52771	SCANIA	10	130							12,7	16	22,5	SAE 1 1/2" 10 C	Double bent (short; R=65 mm)
71575	72825	54040	SCANIA	10	165							16	50	22	SAE 1 1/2" 10 C	Double bent (short; R=65 mm)
71576	72826	54041	SCANIA	10	165							16	-50	22	SAE 1 1/2" 10 C	Double bent (short; R=65 mm)
71642	72892	54051	SCANIA	10	130							16	50	0	SAE 1 1/2" 10 C	Double bent (short; R=65 mm)
71643	72893	54050	SCANIA	10	130							16	-50	0	SAE 1 1/2" 10 C	Double bent (short; R=65 mm)
71644	72894	53884	SCANIA	10	130							16	35	0	SAE 1 1/2" 10 C	Double bent (short; R=65 mm)
71645	72895	53883	SCANIA	10	130							16	-35	0	SAE 1 1/2" 10 C	Double bent (short; R=65 mm)
71660	72910	54104	SCANIA	10	130							16	0	0	SAE 1 1/2" 10 C	Double bent (long; R=100 mm)
71699	72949	53662	SCANIA	10	165							16	25	-42	SAE 1 1/2" 10 C	Double bent (long; R=100 mm)
71700	72950	53663	SCANIA	10	165							16	-25	-42	SAE 1 1/2" 10 C	Double bent (long; R=100 mm)
71701	72951	53705	SCANIA	10	165							16	50	0	SAE 1 1/2" 10 C	Double bent (short; R=65 mm)
71702	72952	53704	SCANIA	10	165							16	-50	0	SAE 1 1/2" 10 C	Double bent (short; R=65 mm)
71703	72953	53891	SCANIA	10	165	140						16	0	0	SAE 1 1/2" 10 C	Double bent (long; R=100 mm)
71704	72954	53704	SCANIA	10	165							16	-50	0	SAE 1 1/2" 10 C	Double bent (short; R=65 mm)
71705	72955	53705	SCANIA	10	165							16	50	0	SAE 1 1/2" 10 C	Double bent (short; R=65 mm)
71706	72956	52772	SCANIA	10	130							16	-16	22,5	SAE 1 1/2" 10 C	Double bent (short; R=65 mm)
71707	72957	52771	SCANIA	10	130							16	16	22,5	SAE 1 1/2" 10 C	Double bent (short; R=65 mm)
71708	72958	54040	SCANIA	10	165							16	50	22	SAE 1 1/2" 10 C	Double bent (short; R=65 mm)
71709	72959	54041	SCANIA	10	165							16	-50	22	SAE 1 1/2" 10 C	Double bent (short; R=65 mm)
71712	72962	54085	SCANIA	10	165							16	0	0	SAE 1 1/2" 10 C	Double bent (long; R=100 mm)
71713	72963	53226	SCANIA	10	165							16	0	-38	SAE 1 1/2" 10 C	Double bent (long; R=100 mm)
77855	79105	53049	SCANIA	10	165							16	-75	0	SAE 1 1/2" 10 C	Double bent (short; R=65 mm)
77856	79106	53050	SCANIA	10	165							16	75	0	SAE 1 1/2" 10 C	Double bent (short; R=65 mm)
78097	79347	54021	SCANIA	10	165							16	25	40	SAE 1 1/2" 10 C	Double bent (short; R=65 mm)
78098	79348	54020	SCANIA	10	165							16	-25	40	SAE 1 1/2" 10 C	Double bent (short; R=65 mm)
78118	79368	54066	SCANIA	10	165							16	20	45	SAE 1 1/2" 10 C	Double bent (short; R=65 mm)
78119	79369	54067	SCANIA	10	165							16	-20	45	SAE 1 1/2" 10 C	Double bent (short; R=65 mm)
78203	79453	53884	SCANIA	10	130							16	35	0	SAE 1 1/2" 10 C	Double bent (short; R=65 mm)
78300	79550	54083	SCANIA	10	165							16	-65	0	SAE 1 1/2" 10 C	Double bent (short; R=65 mm)
78301	79551	54084	SCANIA	10	165							16	65	0	SAE 1 1/2" 10 C	Double bent (short; R=65 mm)
78375	79625	53883	SCANIA	10	130							16	-35	0	SAE 1 1/2" 10 C	Double bent (short; R=65 mm)
78536	79786	54083	SCANIA	10	165							16	-65	0	SAE 1 1/2" 10 C	Double bent (short; R=65 mm)
78537	79787	54084	SCANIA	10	165							16	65	0	SAE 1 1/2" 10 C	Double bent (short; R=65 mm)



## AUTOMATIC BRAKE ADJUSTER

GTSA NO **71532**

VOLVO



**REFERENCE NO**  
72782

**CASTING**  
53861

**OEM NO**  
1195461

GTSA NO **71533**

VOLVO



**REFERENCE NO**  
72783

**CASTING**  
53860

**OEM NO**  
1195462

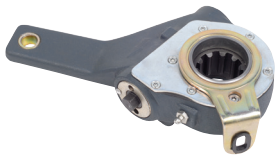
SIDE	AXLE	MODEL
LEFT	2	B10M MARK II & III, C10M

SIDE	AXLE	MODEL
RIGHT	2	B10M MARK II & III, C10M

No. of Spline Teeth	L1	L2	L3	L4	L5	L6	L7	BUSHING (mm)	OFFSET	INCLINATION (deg)	SPLINE TYPE	CONTROL ARM
10	145							12,70	15	-24	SAE 11/2" 10 C	Bent
10	145							12,70	-15	-24	SAE 11/2" 10 C	Bent

GTSA NO **71534**

VOLVO



**REFERENCE NO**  
72784

**CASTING**  
54039

**OEM NO**  
1197965

GTSA NO **71535**

VOLVO



**REFERENCE NO**  
72785

**CASTING**  
54038

**OEM NO**  
1197966

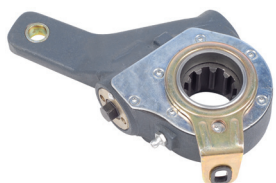
SIDE	AXLE	MODEL
LEFT	2	B10M MARK IV

SIDE	AXLE	MODEL
RIGHT	2	B10M MARK IV

No. of Spline Teeth	L1	L2	L3	L4	L5	L6	L7	BUSHING (mm)	OFFSET	INCLINATION (deg)	SPLINE TYPE	CONTROL ARM
10	165							12,70	15	-24	SAE 11/2" 10 C	Bent
10	165							12,70	-15	-24	SAE 11/2" 10 C	Bent

GTSA NO **71473**

VOLVO



**REFERENCE NO**  
72723

**CASTING**  
53861

**OEM NO**  
1136432

GTSA NO **71474**

VOLVO



**REFERENCE NO**  
72724

**CASTING**  
53860

**OEM NO**  
1136433

SIDE	AXLE	MODEL
LEFT	2, 3	B10M MARK I, B9M

SIDE	AXLE	MODEL
RIGHT	2, 3	B10M MARK I, B9M

No. of Spline Teeth	L1	L2	L3	L4	L5	L6	L7	BUSHING (mm)	OFFSET	INCLINATION (deg)	SPLINE TYPE	CONTROL ARM
10	165							12,70	15	-24	SAE 11/2" 10 C	Bent
10	165							12,70	-15	-24	SAE 11/2" 10 C	Bent

## AUTOMATIC BRAKE ADJUSTER

GTSA NO **71428**

VOLVO



**REFERENCE NO**  
72678

**CASTING**  
54104

**OEM NO**  
1196321

SIDE	AXLE	MODEL
LEFT&RIGHT	1, 2, 3	B10M MARK III & IV

No. of Spline Teeth	L1	L2	L3	L4	L5	L6	L7	BUSHING (mm)	OFFSET	INCLINATION (deg)	SPLINE TYPE	CONTROL ARM
10	140							12,70	0	0	SAE 1 1/2" 10 C	Double Bent (long; R=100 mm)

GTSA NO **78427**

VOLVO



**REFERENCE NO**  
79677

**CASTING**  
53704

**OEM NO**  
3193400 9524585

SIDE	AXLE	MODEL
LEFT	2	B7L

No. of Spline Teeth	L1	L2	L3	L4	L5	L6	L7	BUSHING (mm)	OFFSET	INCLINATION (deg)	SPLINE TYPE	CONTROL ARM
10	165							12,70	-50	0	SAE 1 1/2" 10 C	Double Bent (long; R=100 mm)
10	165							12,70	50	0	SAE 1 1/2" 10 C	Double Bent (long; R=100 mm)

GTSA NO **78428**

VOLVO



**REFERENCE NO**  
79678

**CASTING**  
53705

**OEM NO**  
3193401 9524586

SIDE	AXLE	MODEL
RIGHT	2	B7L

## AUTOMATIC BRAKE ADJUSTER

GTS NO	HALDEX NO.	CASTING	APPLICATION	NO of SPLINE TEETH	L1	L2	L3	L4	L5	BUSHING (mm)	OFFSET	INCLINATION (deg)	SPLINE TYPE	CONTROL ARM
69321	70571	52756	VOLVO/AILSA	10	140					12,7	16	0	SAE 1 1/2" 10 C	Bent
69322	70572	52755	VOLVO/AILSA	10	140					12,7	-16	0	SAE 1 1/2" 10 C	Bent
69391	70641	52760	VOLVO	10	205	165	140			12,7	-38	0	SAE 1 1/2" 10 C	Bent
69392	70642	52761	VOLVO	10	205	165	140			12,7	38	0	SAE 1 1/2" 10 C	Bent
69582	70832	52985	VOLVO/AILSA	10	147					12,7	-38	-34	SAE 1 1/2" 10 C	Double bent (long; R=100 mm)
69583	70833	52987	VOLVO/AILSA	10	147					12,7	38	-34	SAE 1 1/2" 10 C	Double bent (long; R=100 mm)
69682	70932	54085	VOLVO	26	165					12,7	0	0	N42x1.5x9H DIN 5480	Double bent (short; R=65 mm)
69696	70946	52752	VOLVO	10	140					12,7	0	0	SAE 1 1/2" 10 C	Bent
69707	70957	54085	VOLVO	10	152					16	0	0	SAE 1 1/2" 10 C	Bent
69727	70977	52760	VOLVO	10	152					12,7	-38	0	SAE 1 1/2" 10 C	Double bent (long; R=100 mm)
69728	70978	52761	VOLVO	10	152					12,7	38	0	SAE 1 1/2" 10 C	Double bent (long; R=100 mm)
70835	72085	54104	VOLVO	10	133					12,7	0	0	SAE 1 1/2" 10 C	Bent
71267	72517	52752	VOLVO	10	145					12,7	0	0	SAE 1 1/2" 10 C	Bent
71417	72667	54104	VOLVO	10	140					12,7	0	0	SAE 1 1/2" 10 C	Bent
71418	72668	52987	VOLVO	10	151					12,7	38	-34	SAE 1 1/2" 10 C	Bent
71419	72669	52985	VOLVO	10	151					12,7	-38	-34	SAE 1 1/2" 10 C	Bent
71420	72670	52987	VOLVO	10	165					12,7	38	-34	SAE 1 1/2" 10 C	Bent
71421	72671	52985	VOLVO	10	165					12,7	-38	-34	SAE 1 1/2" 10 C	Bent
71422	72672	52766	VOLVO	10	140					12,7	12,7	0	SAE 1 1/2" 10 C	Bent
71423	72673	52765	VOLVO	10	140					12,7	-12,7	0	SAE 1 1/2" 10 C	Bent
71424	72674	52754	VOLVO	10	140					12,7	22	0	SAE 1 1/2" 10 C	Bent
71425	72675	52753	VOLVO	10	140					12,7	-22	0	SAE 1 1/2" 10 C	Bent
71426	72676	54085	VOLVO	10	152					12,7	0	0	SAE 1 1/2" 10 C	Bent
71427	72677	54104	VOLVO	10	140					12,7	0	0	SAE 1 1/2" 10 C	Bent
71428	72678	54104	VOLVO	10	140					12,7	0	0	SAE 1 1/2" 10 C	Double bent (long; R=100 mm)
71463	72713	52766	VOLVO	10	127					12,7	12,7	0	SAE 1 1/2" 10 C	Bent
71464	72714	52765	VOLVO	10	127					12,7	-12,7	0	SAE 1 1/2" 10 C	Bent
71465	72715	52753	VOLVO	10	133					12,7	-22	0	SAE 1 1/2" 10 C	Bent
71466	72716	52754	VOLVO	10	133					12,7	22	0	SAE 1 1/2" 10 C	Bent
71467	72717	52766	VOLVO	10	127					12,7	12,7	0	SAE 1 1/2" 10 C	Bent
71468	72718	52765	VOLVO	10	127					12,7	-12,7	0	SAE 1 1/2" 10 C	Bent
71469	72719	52754	VOLVO	10	159					12,7	22	0	SAE 1 1/2" 10 C	Bent
71470	72720	52753	VOLVO	10	159					12,7	-22	0	SAE 1 1/2" 10 C	Bent
71471	72721	52766	VOLVO	10	159					12,7	12,7	0	SAE 1 1/2" 10 C	Bent
71425	72675	52753	VOLVO	10	140					12,7	-22	0	SAE 1 1/2" 10 C	Bent
71426	72676	54085	VOLVO	10	152					12,7	0	0	SAE 1 1/2" 10 C	Bent
71427	72677	54104	VOLVO	10	140					12,7	0	0	SAE 1 1/2" 10 C	Bent
71463	72713	52766	VOLVO	10	127					12,7	12,7	0	SAE 1 1/2" 10 C	Bent
71464	72714	52765	VOLVO	10	127					12,7	-12,7	0	SAE 1 1/2" 10 C	Bent
71465	72715	52753	VOLVO	10	133					12,7	-22	0	SAE 1 1/2" 10 C	Bent
71466	72716	52754	VOLVO	10	133					12,7	22	0	SAE 1 1/2" 10 C	Bent
71467	72717	52766	VOLVO	10	127					12,7	12,7	0	SAE 1 1/2" 10 C	Bent
71468	72718	52765	VOLVO	10	127					12,7	-12,7	0	SAE 1 1/2" 10 C	Bent
71469	72719	52754	VOLVO	10	159					12,7	22	0	SAE 1 1/2" 10 C	Bent
71470	72720	52753	VOLVO	10	159					12,7	-22	0	SAE 1 1/2" 10 C	Bent
71471	72721	52766	VOLVO	10	159					12,7	12,7	0	SAE 1 1/2" 10 C	Bent
71472	72722	52765	VOLVO	10	159					12,7	-12,7	0	SAE 1 1/2" 10 C	Bent
71475	72725	54104	VOLVO	10	127					12,7	0	0	SAE 1 1/2" 10 C	Bent

GSA NO	HALDEX NO.	CASTING	APPLICATION	NO of SPLINE TEETH	L1	L2	L3	L4	L5	L6	BUSHING (mm)	OFFSET	INCLINATION (deg)	SPLINE TYPE	CONTROL ARM
71476	72726	54085	VOLVO	10	152						12,7	0	0	SAE 1 1/2" 10 C	Double bent (long; R=100 mm)
71651	72901	52765	VOLVO	10	140						12,7	-12,7	0	SAE 1 1/2" 10 C	Bent
71652	72902	52766	VOLVO	10	140						12,7	12,7	0	SAE 1 1/2" 10 C	Bent
71653	72903	54085	VOLVO	10	152						16	0	0	SAE 1 1/2" 10 C	Bent
71654	72904	52761	VOLVO	10	165						12,7	38	0	SAE 1 1/2" 10 C	Bent
71655	72905	52752	VOLVO	10	127						12,7	0	0	SAE 1 1/2" 10 C	Bent
71656	72906	52766	VOLVO	10	140						12,7	12,7	0	SAE 1 1/2" 10 C	Bent
71657	72907	52765	VOLVO	10	140						12,7	-12,7	0	SAE 1 1/2" 10 C	Bent
71658	72908	54085	VOLVO	10	152						12,7	0	0	SAE 1 1/2" 10 C	Bent
71659	72909	54085	VOLVO	10	165						16	0	0	SAE 1 1/2" 10 C	Bent
71662	72912	52760	VOLVO	10	140						12,7	-38	0	SAE 1 1/2" 10 C	Bent
71663	72913	54085	VOLVO	10	165						16	0	0	SAE 1 1/2" 10 C	Bent
71664	72914	52760	VOLVO	10	165						12,7	-38	0	SAE 1 1/2" 10 C	Bent
71665	72915	52766	VOLVO	10	140						12,7	12,7	0	SAE 1 1/2" 10 C	Bent
71666	72916	52765	VOLVO	10	140						12,7	-12,7	0	SAE 1 1/2" 10 C	Bent
71694	72944	54085	VOLVO	10	152						12,7	0	0	SAE 1 1/2" 10 C	Bent
77910	79160	54076	VOLVO/ROR	10	250	180	155	140	125	105	14	0	20	SAE 1 1/2" 10 C	Bent
77928	79178	54085	VOLVO	10	165	140					16	0	0	SAE 1 1/2" 10 C	Double bent (long; R=100 mm)
78021	79271	54104	VOLVO	10	127						12,7	0	0	SAE 1 1/2" 10 C	Bent
78109	79359	54087	VOLVO	10	145						12,7	-45	0	SAE 1 1/2" 10 C	Double bent (long; R=100 mm)
78110	79360	54088	VOLVO	10	145						12,7	45	0	SAE 1 1/2" 10 C	Double bent (long; R=100 mm)
78178	79428	53226	VOLVO	10	140						12,7	0	-38	SAE 1 1/2" 10 C	Double bent (long; R=100 mm)
78314	79564	54104	VOLVO	10	140						12,7	0	0	SAE 1 1/2" 10 C	Bent
78391	79641	53068	VOLVO	10	185						12,7	-28,5	0	SAE 1 1/2" 10 C	Bent
78392	79642	53069	VOLVO	10	185						12,7	28,5	0	SAE 1 1/2" 10 C	Bent
78447	79697	53069	VOLVO	10	152						16	28,5	0	SAE 1 1/2" 10 C	Bent
78448	79698	53068	VOLVO	10	152						16	-28,5	0	SAE 1 1/2" 10 C	Bent
78463	79713	54087	VOLVO	10	145						12,7	-45	0	SAE 1 1/2" 10 C	Double bent (long; R=100 mm)
78464	79714	54088	VOLVO	10	145						12,7	45	0	SAE 1 1/2" 10 C	Double bent (long; R=100 mm)
78474	79724	53226	VOLVO	10	125						12,7	0	-38	SAE 1 1/2" 10 C	Bent
78549	79799	54038	VOLVO	10	155						12,7	-15	-24	SAE 1 1/2" 10 C	Bent
78550	79800	54039	VOLVO	10	165						12,7	15	-24	SAE 1 1/2" 10 C	Bent

## AUTOMATIC BRAKE ADJUSTER

GTSA NO **78054**

RENAULT



**REFERENCE NO**  
79304

**CASTING**  
54094

**OEM NO**  
5010260027

GTSA NO **78055**

RENAULT



**REFERENCE NO**  
79305

**CASTING**  
54095

**OEM NO**  
5010260028

SIDE	AXLE	MODEL
LEFT	2, 3	AE, MAGNUM, PREMIUM

SIDE	AXLE	MODEL
RIGHT	2, 3	AE, MAGNUM, PREMIUM

No. of Spline Teeth	L1	L2	L3	L4	L5	L6	L7	BUSHING (mm)	OFFSET	INCLINATION (deg)	SPLINE TYPE	CONTROL ARM
28	160							14	-38	0	SAE 1 1/2" 28 C	Double Bent (short; R=65 mm)
28	160							14	38	0	SAE 1 1/2" 28 C	Double Bent (short; R=65 mm)

GTSA NO **78044**

RENAULT



**REFERENCE NO**  
79294

**CASTING**  
53717

**OEM NO**  
5010098860

GTSA NO **78045**

RENAULT



**REFERENCE NO**  
79295

**CASTING**  
53718

**OEM NO**  
5010098861

SIDE	AXLE	MODEL
LEFT	1, 2, 3, 4	MAXTER, KERAX

SIDE	AXLE	MODEL
RIGHT	1, 2, 3, 4	MAXTER, KERAX

No. of Spline Teeth	L1	L2	L3	L4	L5	L6	L7	BUSHING (mm)	OFFSET	INCLINATION (deg)	SPLINE TYPE	CONTROL ARM
27	160							14	-56,2	25	BNA 227 D3.5	Double Bent (short; R=65 mm)
27	160							14	56,2	25	BNA 227 D3.5	Double Bent (short; R=65 mm)

GTSA NO **78060**

RENAULT



**REFERENCE NO**  
79310

**CASTING**  
53717

**OEM NO**  
5010260117

GTSA NO **78061**

RENAULT



**REFERENCE NO**  
79311

**CASTING**  
53718

**OEM NO**  
5010260118

SIDE	AXLE	MODEL
LEFT	1, 2	MAXTER, PREMIUM, KERAX

SIDE	AXLE	MODEL
RIGHT	1, 2	MAXTER, PREMIUM, KERAX

No. of Spline Teeth	L1	L2	L3	L4	L5	L6	L7	BUSHING (mm)	OFFSET	INCLINATION (deg)	SPLINE TYPE	CONTROL ARM
27	160							14	-56,2	25	BNA 227 D3.5	Double Bent (short; R=65 mm)
27	160							14	56,2	25	BNA 227 D3.5	Double Bent (short; R=65 mm)

## AUTOMATIC BRAKE ADJUSTER

### GTSA NO **78046** RENAULT



**REFERENCE NO**  
79296

**CASTING**  
53717

**OEM NO**  
5010098862

SIDE	AXLE	MODEL
LEFT	2, 3, 4	MAXTER, PREMIUM, MAGNUM

No. of Spline Teeth	L1	L2	L3	L4	L5	L6	L7	BUSHING (mm)	OFFSET
27	160							14	-56,2
27	160							14	56,2

### GTSA NO **78047** RENAULT



**REFERENCE NO**  
79297

**CASTING**  
53718

**OEM NO**  
5010098863

SIDE	AXLE	MODEL
RIGHT	2, 3, 4	MAXTER, PREMIUM, MAGNUM

INCLINATION (deg)	SPLINE TYPE	CONTROL ARM
25	BNA 227 D3.5	Double Bent (short; R=65 mm)
25	BNA 227 D3.5	Double Bent (short; R=65 mm)

### GTSA NO **77763** RENAULT



**REFERENCE NO**  
79013

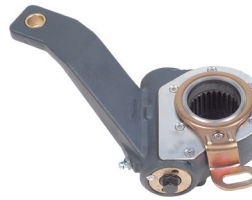
**CASTING**  
54008

**OEM NO**  
5000789892  
5010056685

SIDE	AXLE	MODEL
RIGHT	2, 3	G170, G210, G230, G260, G290, G310, G340TI, G385TI, R310, R330, R370, R390, R360

No. of Spline Teeth	L1	L2	L3	L4	L5	L6	L7	BUSHING (mm)	OFFSET
27	175							14	38
27	175							14	-38

### GTSA NO **77764** RENAULT



**REFERENCE NO**  
79014

**CASTING**  
54009

**OEM NO**  
5000789893  
5010056686

SIDE	AXLE	MODEL
LEFT	2, 3	G170, G210, G230, G260, G290, G310, G340TI, G385TI, R310, R330, R370, R390, R360

INCLINATION (deg)	SPLINE TYPE	CONTROL ARM
30	BNA 227 D3.5	Double Bent (short; R=65 mm)
30	BNA 227 D3.5	Double Bent (short; R=65 mm)

### GTSA NO **78058** RENAULT



**REFERENCE NO**  
79308

**CASTING**  
53717

**OEM NO**  
5010260115

SIDE	AXLE	MODEL
LEFT	1	MAXTER, PREMIUM

No. of Spline Teeth	L1	L2	L3	L4	L5	L6	L7	BUSHING (mm)	OFFSET
27	175							14	-56,2
27	175							14	56,2

### GTSA NO **78059** RENAULT



**REFERENCE NO**  
79309

**CASTING**  
53718

**OEM NO**  
5010260116

SIDE	AXLE	MODEL
RIGHT	1	MAXTER, PREMIUM

INCLINATION (deg)	SPLINE TYPE	CONTROL ARM
25	BNA 227 D3.5	Double Bent (short; R=65 mm)
25	BNA 227 D3.5	Double Bent (short; R=65 mm)

## AUTOMATIC BRAKE ADJUSTER

GTSA NO **78049**

RENAULT



**REFERENCE NO**  
79299

**CASTING**  
52760

**OEM NO**  
5010216843

GTSA NO **78050**

RENAULT



**REFERENCE NO**  
79300

**CASTING**  
52761

**OEM NO**  
5010216844

SIDE	AXLE	MODEL
LEFT	2, 3, 4	MAXTER

SIDE	AXLE	MODEL
RIGHT	2, 3, 4	MAXTER

No. of Spline Teeth	L1	L2	L3	L4	L5	L6	L7	BUSHING (mm)	OFFSET	INCLINATION (deg)	SPLINE TYPE	CONTROL ARM
27	160							14	-38	0	BNA 227 D3.5	Double Bent (short; R=65 mm)
27	160							14	38	0	BNA 227 D3.5	Double Bent (short; R=65 mm)

GTSA NO **78038**

RENAULT



**REFERENCE NO**  
79288

**CASTING**  
54095

**OEM NO**  
5010098831

GTSA NO **78039**

RENAULT



**REFERENCE NO**  
79289

**CASTING**  
54094

**OEM NO**  
5010098832

SIDE	AXLE	MODEL
RIGHT	2	AE

SIDE	AXLE	MODEL
LEFT	2	AE

No. of Spline Teeth	L1	L2	L3	L4	L5	L6	L7	BUSHING (mm)	OFFSET	INCLINATION (deg)	SPLINE TYPE	CONTROL ARM
28	160							14	38	0	SAE 11/2" 28 C	Double Bent (short; R=65 mm)
28	160							14	-38	0	SAE 11/2" 28 C	Double Bent (short; R=65 mm)

GTS NO	HALDEX NO.	CASTING	APPLICATION	NO of SPLINE TEETH	L1	L2	L3	L4	L5	L6	L7	BUSHING (mm)	OFFSET	INCLINATION (deg)	SPLINE TYPE	CONTROL ARM
69292	70542	52853	RENAULT	27	258							14	33,1	0	BNA 227	Bent
69293	70543	52854	RENAULT	27	258							14	-33,1	0	BNA 227	Bent
69294	70544	52851	RENAULT	27	238							14	-12,4	0	BNA 227	Bent
69295	70545	52852	RENAULT	27	238							14	12,4	0	BNA 227	Bent
69358	70608	52933	RENAULT	27	238							14	35,6	24,8	BNA 227	Bent
69359	70609	52934	RENAULT	27	238							14	-35,6	24,8	BNA 227	Bent
69369	70619	52766	RENAULT	27	190							14	12,7	0	BNA 227	Bent
69370	70620	52765	RENAULT	27	190							14	-12,7	0	BNA 227	Bent
69371	70621	53068	RENAULT	27	190							14	-28,5	0	BNA 227	Bent
69372	70622	53069	RENAULT	27	190							14	28,5	0	BNA 227	Bent
69605	70855	52853	RENAULT	19	240							16	33,1	0	A38x34 DIN 5482	Double bent (short; R=65 mm)
69606	70856	52854	RENAULT	19	240							16	-33,1	0	A38x34 DIN 5482	Double bent (short; R=65 mm)
69630	70880	52931	RENAULT	27	258							14	36,6	0	BNA 227	Bent
69631	70881	52932	RENAULT	27	258							14	-36,6	0	BNA 227	Bent
69646	70896	53718	RENAULT	27	175							14	56,2	25	BNA 227	Double bent (short; R=65 mm)
69647	70897	53717	RENAULT	27	175							14	-56,2	25	BNA 227	Double bent (short; R=65 mm)
69649	70899	53718	RENAULT	27	246							16	56,2	25	BNA 227 D3.5	Double bent (short; R=65 mm)
69725	70975	52851	RENAULT	27	238							14	-12,4	0	BNA 227	Bent
69726	70976	52852	RENAULT	27	238							14	12,4	0	BNA 227	Bent
70887	72137	52901	RENAULT	19	170							14	60,3	22,5	A38x34 DIN 5482	Double bent (medium; R=78 mm)
70888	72138	52902	RENAULT	19	170							14	-60,3	22,5	A38x34 DIN 5482	Double bent (medium; R=78 mm)
71065	72315	54085	RENAULT	19	160							14	0	0	A38x34 DIN 5482	Double bent (short; R=65 mm)
71349	72599	54104	RENAULT	33	140							14	0	0	PITCH 24/48	Bent
71350	72600	54085	RENAULT	33	150							14	0	0	PITCH 24/48	Bent
71351	72601	54104	RENAULT	33	127							14	0	0	PITCH 24/48	Bent
71352	72602	54004	RENAULT	33	140							14	60	34,5	PITCH 24/48	Bent
71353	72603	54005	RENAULT	33	140							14	-60	34,5	PITCH 24/48	Bent
71354	72604	52894	RENAULT	33	140							14	47,6	22,5	PITCH 24/48	Bent
71383	72633	52761	RENAULT	27	175							14	38	0	BNA 227 D3.5	Double bent (short; R=65 mm)
71384	72634	52760	RENAULT	27	175							14	-38	0	BNA 227 D3.5	Double bent (short; R=65 mm)
77757	79007	54008	RENAULT	27	175							14	38	30	BNA 227 D3.5	Bent
77758	79008	54009	RENAULT	27	175							14	-38	30	BNA 227 D3.5	Bent
77759	79009	54008	RENAULT	27	175							14	38	30	BNA 227 D3.5	Bent
77760	79010	54009	RENAULT	27	175							14	-38	30	BNA 227 D3.5	Bent
77761	79011	52752	RENAULT	27	150							14	0	0	BNA 227 D3.5	Double bent (short; R=65 mm)
77762	79012	54104	RENAULT	27	140							14	0	0	BNA 227 D3.5	Double bent (short; R=65 mm)
77767	79017	52761	RENAULT	27	175							14	38	0	BNA 227 D3.5	Double bent (short; R=65 mm)
77768	79018	52760	RENAULT	27	175							14	-38	0	BNA 227 D3.5	Double bent (short; R=65 mm)
77769	79019	54104	RENAULT	27	140							14	0	0	BNA 227 D3.5	Double bent (short; R=65 mm)
77770	79020	54008	RENAULT	27	175							14	38	30	BNA 227 D3.5	Double bent (short; R=65 mm)
77771	79021	54009	RENAULT	27	175							14	-38	30	BNA 227 D3.5	Double bent (short; R=65 mm)
77900	79150	53156	RENAULT	27	190							14	23	0	BNA 227	Bent
77901	79151	53157	RENAULT	27	190							14	-23	0	BNA 227	Bent
77902	79152	52753	RENAULT	27	183							14	-22	0	BNA 227 D3.5	Bent
77903	79153	52754	RENAULT	27	183							14	22	0	BNA 227 D3.5	Bent
78036	79286	54008	RENAULT	27	160							14	38	30	BNA 227 D3.5	Double bent (short; R=65 mm)
78037	79287	54009	RENAULT	27	160							14	-38	30	BNA 227 D3.5	Double bent (short; R=65 mm)
78040	79290	53717	RENAULT	27	175							14	-56,2	25	BNA 227 D3.5	Double bent (short; R=65 mm)

All manufacturer names, trademarks, product descriptions contained in this product catalog are for reference only. All reference numbers are for comparison purposes.

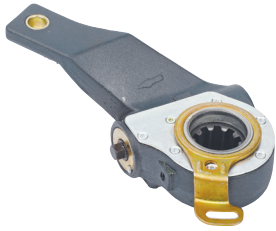


## AUTOMATIC BRAKE ADJUSTER

G TSA NO	HALDEX NO.	CASTING	APPLICATION	NO of SPLINE TEETH	L1	L2	L3	L4	L5	L6	L7	BUSHING (mm)	OFFSET	INCLINATION (deg)	SPLINE TYPE	CONTROL ARM
78041	79291	53718	RENAULT	27	175							14	56,2	25	BNA 227 D3.5	Double bent (short; R=65 mm)
78042	79292	53717	RENAULT	27	175							14	-56,2	25	BNA 227 D3.5	Double bent (short; R=65 mm)
78043	79293	53718	RENAULT	27	175							14	56,2	25	BNA 227 D3.5	Double bent (short; R=65 mm)
78048	79298	54085	RENAULT	28	160							14	0	0	SAE 1 1/2" 28 C	Double bent (short; R=65 mm)
78051	79301	54008	RENAULT	27	160							14	38	30	BNA 227 D3.5	Double bent (short; R=65 mm)
78052	79302	54009	RENAULT	27	160							14	-38	30	BNA 227 D3.5	Double bent (short; R=65 mm)
78053	79303	52752	RENAULT	27	190							14	0	0	BNA 227 D3.5	Double bent (short; R=65 mm)
78056	79306	54094	RENAULT	27	175							14	-38	0	BNA 227 D3.5	Double bent (short; R=65 mm)
78057	79307	54095	RENAULT	27	175							14	38	0	BNA 227 D3.5	Double bent (short; R=65 mm)
78062	79312	54008	RENAULT	27	175							14	38	30	BNA 227 D3.5	Double bent (short; R=65 mm)
78063	79313	54009	RENAULT	27	175							14	-38	30	BNA 227 D3.5	Double bent (short; R=65 mm)
78181	79431	53214	RENAULT	27	270							14	-45	10	BNA 227 D3.5	Bent
78182	79432	53215	RENAULT	27	270							14	45	10	BNA 227 D3.5	Bent
78190	79440	53717	RENAULT	27	160							14	-56,2	25	BNA 227 D3.5	Double bent (short; R=65 mm)
78191	79441	53718	RENAULT	27	160							14	56,2	25	BNA 227 D3.5	Double bent (short; R=65 mm)
78224	79474	53717	RENAULT	27	175							14	-56,2	25	BNA 227 D3.5	Double bent (short; R=65 mm)
78225	79475	53718	RENAULT	27	175							14	56,2	25	BNA 227 D3.5	Double bent (short; R=65 mm)
78226	79476	53717	RENAULT	27	160							14	-56,2	25	BNA 227 D3.5	Double bent (short; R=65 mm)
78227	79477	53718	RENAULT	27	160							14	56,2	25	BNA 227 D3.5	Double bent (short; R=65 mm)
78228	79478	53717	RENAULT	27	160							14	-56,2	25	BNA 227 D3.5	Double bent (short; R=65 mm)
78229	79479	53718	RENAULT	27	160							14	56,2	25	BNA 227 D3.5	Double bent (short; R=65 mm)
78285	79535	54008	RENAULT	27	160							14	38	30	BNA 227 D3.5	Double bent (short; R=65 mm)
78286	79536	54009	RENAULT	27	160							14	-38	30	BNA 227 D3.5	Double bent (short; R=65 mm)
78331	79581	53717	RENAULT	27	175							14	-56,2	25	BNA 227 D3.5	Double bent (short; R=65 mm)
78332	79582	53718	RENAULT	27	175							14	56,2	25	BNA 227 D3.5	Double bent (short; R=65 mm)
78378	79628	53717	RENAULT	27	175							14	-56,2	25	BNA 227 D3.5	Double bent (short; R=65 mm)
78379	79629	53718	RENAULT	27	175							14	56,2	25	BNA 227 D3.5	Double bent (short; R=65 mm)

## AUTOMATIC BRAKE ADJUSTER

**GTSA NO 71288** DAF



**REFERENCE NO**  
72538

**CASTING**  
54042

**OEM NO**  
0159589 105015001

**GTSA NO 71289** DAF



**REFERENCE NO**  
72539

**CASTING**  
54043

**OEM NO**  
0159590 105016001

SIDE	AXLE	MODEL
LEFT	2	85, 95

SIDE	AXLE	MODEL
RIGHT	2	85, 95

No. of Spline Teeth	L1	L2	L3	L4	L5	L6	L7	BUSHING (mm)	OFFSET	INCLINATION (deg)	SPLINE TYPE	CONTROL ARM
10	165							14	-45	-30	SAE 11/2" 10 C	Double Bent (short; R=65 mm)
10	165							14	45	-30	SAE 11/2" 10 C	Double Bent (short; R=65 mm)

**GTSA NO 71273** DAF



**REFERENCE NO**  
72523

**CASTING**  
52760

**OEM NO**  
0159556 105007001

**GTSA NO 71274** DAF



**REFERENCE NO**  
72524

**CASTING**  
52761

**OEM NO**  
0159557 105006001

SIDE	AXLE	MODEL
RIGHT LEFT LEFT LEFT LEFT RIGHT	1, 2	55, 75, 85, 95, 95FT, SPECTRA, FA2100 / 2500, FA2800 / 3300 / 3600, FAS2500, FT2100 / 2500, FT2800 / 3300 / 3600, FTS2800 / 3300 / 3600, FTT2800 / 3600, 95FTG

SIDE	AXLE	MODEL
LEFT RIGHT RIGHT RIGHT RIGHT LEFT	1, 2	55, 75, 85, 95, 95FT, SPECTRA, FA2100 / 2500, FA2800 / 3300 / 3600, FAS2500, FT2100 / 2500, FT2800 / 3300 / 3600, FTS2800 / 3300 / 3600, FTT2800 / 3600, 95FTG

No. of Spline Teeth	L1	L2	L3	L4	L5	L6	L7	BUSHING (mm)	OFFSET	INCLINATION (deg)	SPLINE TYPE	CONTROL ARM
10	140							14	-38	0	SAE 11/2" 10 C	Double Bent (medium; R=78 mm)
10	140							14	38	0	SAE 11/2" 10 C	Double Bent (medium; R=78 mm)

**GTSA NO 71294** DAF



**REFERENCE NO**  
72544

**CASTING**  
53185

**OEM NO**  
159563

**GTSA NO 71295** DAF



**REFERENCE NO**  
72545

**CASTING**  
53186

**OEM NO**  
159564

SIDE	AXLE	MODEL
LEFT	2, 3	95

SIDE	AXLE	MODEL
RIGHT	2, 3	95

No. of Spline Teeth	L1	L2	L3	L4	L5	L6	L7	BUSHING (mm)	OFFSET	INCLINATION (deg)	SPLINE TYPE	CONTROL ARM
10	143							14	-56	4	SAE 11/2" 10 C	Double Bent (short; R=65 mm)
10	143							14	56	4	SAE 11/2" 10 C	Double Bent (short; R=65 mm)

# AUTOMATIC BRAKE ADJUSTER

## GTSA NO **71292** DAF



**REFERENCE NO**  
72542

**CASTING**  
52987

**OEM NO**  
159561

SIDE	AXLE	MODEL
RIGHT LEFT LEFT	2, 3	75, 85, 95

No. of Spline Teeth	L1	L2	L3	L4	L5	L6	L7	BUSHING (mm)	OFFSET
10	165							14	38
10	165							14	-38

## GTSA NO **71293** DAF



**REFERENCE NO**  
72543

**CASTING**  
52985

**OEM NO**  
159562

SIDE	AXLE	MODEL
LEFT RIGHT RIGHT	2, 3	75, 85, 95

No. of Spline Teeth	L1	L2	L3	L4	L5	L6	L7	BUSHING (mm)	OFFSET	INCLINATION (deg)	SPLINE TYPE	CONTROL ARM
10	165							14	38	-34	SAE 11/2" 10 C	Double Bent (short; R=65 mm)
10	165							14	-38	-34	SAE 11/2" 10 C	Double Bent (short; R=65 mm)

## GTSA NO **71454** DAF



**REFERENCE NO**  
72704

**CASTING**  
54077

**OEM NO**  
755616

SIDE	AXLE	MODEL
LEFT	3, 4	85, 95

No. of Spline Teeth	L1	L2	L3	L4	L5	L6	L7	BUSHING (mm)	OFFSET
10	145							14	60
10	145							14	-60

## GTSA NO **71455** DAF



**REFERENCE NO**  
72705

**CASTING**  
54078

**OEM NO**  
755617

SIDE	AXLE	MODEL
RIGHT	3, 4	85, 95

No. of Spline Teeth	L1	L2	L3	L4	L5	L6	L7	BUSHING (mm)	OFFSET	INCLINATION (deg)	SPLINE TYPE	CONTROL ARM
10	145							14	60	-10	SAE 11/2" 10 C	Double Bent (medium; R=78 mm)
10	145							14	-60	-10	SAE 11/2" 10 C	Double Bent (medium; R=78 mm)

## GTSA NO **71636** DAF



**REFERENCE NO**  
72886

**CASTING**  
54077

**OEM NO**  
1263485

SIDE	AXLE	MODEL
LEFT		

No. of Spline Teeth	L1	L2	L3	L4	L5	L6	L7	BUSHING (mm)	OFFSET
10	145							14	60
10	145							14	-60

## GTSA NO **71637** DAF



**REFERENCE NO**  
72887

**CASTING**  
54078

**OEM NO**  
1263486

SIDE	AXLE	MODEL
RIGHT		

No. of Spline Teeth	L1	L2	L3	L4	L5	L6	L7	BUSHING (mm)	OFFSET	INCLINATION (deg)	SPLINE TYPE	CONTROL ARM
10	145							14	60	-10	SAE 11/2" 10 C	Double Bent (medium; R=78 mm)
10	145							14	-60	-10	SAE 11/2" 10 C	Double Bent (medium; R=78 mm)

All manufacturer names, trademarks, product descriptions contained in this product catalog are for reference only. All reference numbers are for comparison purposes.

GTS NO	HALDEX NO.	CASTING	APPLICATION	NO of SPLINE TEETH	L1	L2	L3	L4	L5	L6	L7	BUSHING (mm)	OFFSET	INCLINATION (deg)	SPLINE TYPE	CONTROL ARM
71280	72530	53226	DAF	10	140							14	0	-38	SAE 1 1/2" 10 C	Double bent (medium; R=78 mm)
71281	72531	52752	DAF	10	140							w/o	0	0	SAE 1 1/2" 10 C	Double bent (short; R=65 mm)
71282	72532	52760	DAF	10	165							14	-38	0	SAE 1 1/2" 10 C	Double bent (medium; R=78 mm)
71283	72533	52761	DAF	10	165							14	38	0	SAE 1 1/2" 10 C	Double bent (medium; R=78 mm)
71284	72534	54104	DAF	10	140							14	0	0	SAE 1 1/2" 10 C	Double bent (medium; R=78 mm)
71285	72535	53226	DAF	10	140							14	0	-38	SAE 1 1/2" 10 C	Double bent (medium; R=78 mm)
71286	72536	52987	DAF	10	140							14	38	-34	SAE 1 1/2" 10 C	Double bent (short; R=65 mm)
71287	72537	52985	DAF	10	140							14	-38	-34	SAE 1 1/2" 10 C	Double bent (short; R=65 mm)
71290	72540	53226	DAF	10	165							14	0	-38	SAE 1 1/2" 10 C	Double bent (medium; R=78 mm)
71291	72541	53226	DAF	10	165							14	0	-38	SAE 1 1/2" 10 C	Double bent (short; R=65 mm)
71296	72546	52752	DAF	10	140							w/o	0	0	SAE 1 1/2" 10 C	Double bent (short; R=65 mm)
71297	72547	53226	DAF	10	165							14	0	-38	SAE 1 1/2" 10 C	Double bent (short; R=65 mm)
71298	72548	53865	DAF	10	140							14	0	132,5	SAE 1 1/2" 10 C	Double bent (short; R=65 mm)
71300	72550	54104	DAF	10	140							14	0	0	SAE 1 1/2" 10 C	Double bent (medium; R=78 mm)
71301	72551	52894	DAF	10	143							14	47,6	22,5	SAE 1 1/2" 10 C	Double bent (medium; R=78 mm)
71303	72553	54085	DAF	10	165							w/o	0	0	SAE 1 1/2" 10 C	Double bent (short; R=65 mm)
71308	72558	53226	DAF	10	140							14	0	-38	SAE 1 1/2" 10 C	Double bent (long; R=100 mm)
71336	72586	52760	DAF	10	140							14	-38	0	SAE 1 1/2" 10 C	Double bent (medium; R=78 mm)
71337	72587	52761	DAF	10	140							14	38	0	SAE 1 1/2" 10 C	Double bent (medium; R=78 mm)
71358	72608	52765	DAF	10	140							14	-12,7	0	SAE 1 1/2" 10 C	Double bent (medium; R=78 mm)
71359	72609	52766	DAF	10	140							14	12,7	0	SAE 1 1/2" 10 C	Double bent (medium; R=78 mm)
71429	72679	52987	DAF	10	140							14	38	-34	SAE 1 1/2" 10 C	Double bent (short; R=65 mm)
71430	72680	52985	DAF	10	140							14	-38	-34	SAE 1 1/2" 10 C	Double bent (short; R=65 mm)
71445	72695	53185	DAF	10	143							14	-56	4	SAE 1 1/2" 10 C	Double bent (short; R=65 mm)
71446	72696	53186	DAF	10	143							14	56	4	SAE 1 1/2" 10 C	Double bent (short; R=65 mm)
71429	72679	52987	DAF	10	140							14	38	-34	SAE 1 1/2" 10 C	Double bent (short; R=65 mm)
71430	72680	52985	DAF	10	140							14	-38	-34	SAE 1 1/2" 10 C	Double bent (short; R=65 mm)
71445	72695	53185	DAF	10	143							14	-56	4	SAE 1 1/2" 10 C	Double bent (short; R=65 mm)
71446	72696	53186	DAF	10	143							14	56	4	SAE 1 1/2" 10 C	Double bent (short; R=65 mm)
71454	72704	54077	DAF	10	145							14	60	-10	SAE 1 1/2" 10 C	Double bent (medium; R=78 mm)
71455	72705	54078	DAF	10	145							14	-60	-10	SAE 1 1/2" 10 C	Double bent (medium; R=78 mm)
71544	72794	54077	DAF	10	165							14	60	-10	SAE 1 1/2" 10 C	Double bent (medium; R=78 mm)
71545	72795	54078	DAF	10	165							14	-60	-10	SAE 1 1/2" 10 C	Double bent (medium; R=78 mm)
71565	72815	52760	DAF	10	140							14	-38	0	SAE 1 1/2" 10 C	Bent
71566	72816	52761	DAF	10	140							14	38	0	SAE 1 1/2" 10 C	Bent
71583	72833	53068	DAF	10	165							14	-28,5	0	SAE 1 1/2" 10 C	Double bent (medium; R=78 mm)
71584	72834	53069	DAF	10	165							14	28,5	0	SAE 1 1/2" 10 C	Double bent (medium; R=78 mm)
71636	72886	54077	DAF	10	145							14	60	-10	SAE 1 1/2" 10 C	Double bent (medium; R=78 mm)
71637	72887	54078	DAF	10	145							14	-60	-10	SAE 1 1/2" 10 C	Double bent (medium; R=78 mm)
7774	79024	54070	DAF	10	165							14	11,5	-38	SAE 1 1/2" 10 C	Double bent (medium; R=78 mm)
7775	79025	54071	DAF	10	165							14	-11,5	-38	SAE 1 1/2" 10 C	Double bent (medium; R=78 mm)
77917	79167	53049	DAF	10	165							14	-75	0	SAE 1 1/2" 10 C	Double bent (short; R=65 mm)
77918	79168	53050	DAF	10	165							14	75	0	SAE 1 1/2" 10 C	Double bent (short; R=65 mm)
77929	79179	54042	DAF	10	145							14	45	-30	SAE 1 1/2" 10 C	Double bent (short; R=65 mm)
77930	79180	54043	DAF	10	140							14	-12,7	0	SAE 1 1/2" 10 C	Double bent (long; R=100 mm)
78121	79371	54085	DAF/Sisu	19	152							14	0	0	A38x34 DIN 5482	Double bent (short; R=65 mm)
78327	79577	53049	DAF	10	165							14	-75	0	SAE 1 1/2" 10 C	Double bent (medium; R=78 mm)
78328	79578	53050	DAF	10	165							14	75	0	SAE 1 1/2" 10 C	Double bent (medium; R=78 mm)

All manufacturer names, trademarks, product descriptions contained in this product catalog are for reference only. All reference numbers are for comparison purposes.

## AUTOMATIC BRAKE ADJUSTER

G TSA NO	HALDEX NO.	CASTING	APPLICATION	NO of SPLINE TEETH	L1	L2	L3	L4	L5	L6	L7	BUSHING (mm)	OFFSET	INCLINATION (deg)	SPLINE TYPE	CONTROL ARM
9618	10868	52760	DAF	10	140							14	-38	0	SAE 1 1/2" 10 C	Bent
9619	10869	52761	DAF	10	140							14	38	0	SAE 1 1/2" 10 C	Bent
69573	70823	54104	DAF	10	140							14	0	0	SAE 1 1/2" 10 C	Bent
69574	70824	52760	DAF	10	140							14	-38	0	SAE 1 1/2" 10 C	Bent
69575	70825	52761	DAF	10	140							14	38	0	SAE 1 1/2" 10 C	Bent
69621	70871	53226	DAF	10	140							14	0	-38	SAE 1 1/2" 10 C	Bent
69622	70872	52894	DAF	10	143							14	47,6	22,5	SAE 1 1/2" 10 C	Bent
70900	72150	52760	DAF	10	165							14	-38	0	SAE 1 1/2" 10 C	Double bent (medium; R=78 mm)
70901	72151	52761	DAF	10	165							14	38	0	SAE 1 1/2" 10 C	Double bent (medium; R=78 mm)
71077	72327	53226	DAF	10	165							14	0	-38	SAE 1 1/2" 10 C	Double bent (short; R=65 mm)
71275	72525	52760	DAF	10	140							14	-38	0	SAE 1 1/2" 10 C	Double bent (medium; R=78 mm)
71276	72526	52761	DAF	10	140							14	38	0	SAE 1 1/2" 10 C	Double bent (medium; R=78 mm)
71277	72527	53186	DAF	26	143							14	56	4	N42x1.5x9H DIN 5480	Double bent (short; R=65 mm)
71279	72529	52752	DAF	26	140							w/o	0	0	N42x1.5x9H DIN 5480	Double bent (short; R=65 mm)

## AUTOMATIC BRAKE ADJUSTER

**GTSA NO 78008** KAMAZ

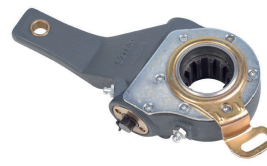


**REFERENCE NO**  
79258

**CASTING**  
52760

**OEM NO**

**GTSA NO 78009** KAMAZ



**REFERENCE NO**  
79259

**CASTING**  
52761

**OEM NO**

SIDE	AXLE	MODEL
LEFT		

SIDE	AXLE	MODEL
RIGHT		

No. of Spline Teeth	L1	L2	L3	L4	L5	L6	L7	BUSHING (mm)	OFFSET	INCLINATION (deg)	SPLINE TYPE	CONTROL ARM
10	165							14	-38	0	SAE 11/2" 10 C	Double Bent (short; R=65 mm)
10	165							14	38	0	SAE 11/2" 10 C	Double Bent (short; R=65 mm)

**GTSA NO 78789** KAMAZ



**REFERENCE NO**  
80039

**CASTING**  
55016

**OEM NO**

**GTSA NO 78790** KAMAZ



**REFERENCE NO**  
80040

**CASTING**  
55015

**OEM NO**

SIDE	AXLE	MODEL
LEFT		

SIDE	AXLE	MODEL
RIGHT		

No. of Spline Teeth	L1	L2	L3	L4	L5	L6	L7	BUSHING (mm)	OFFSET	INCLINATION (deg)	SPLINE TYPE	CONTROL ARM
10	145							14	37	34	SAE 11/2" 10 C	Double Bent (short; R=65 mm)
10	145							14	-37	34	SAE 11/2" 10 C	Double Bent (short; R=65 mm)

**GTSA NO 78010** KAMAZ



**REFERENCE NO**  
79260

**CASTING**  
54077

**OEM NO**

**GTSA NO 78011** KAMAZ



**REFERENCE NO**  
79261

**CASTING**  
54078

**OEM NO**

SIDE	AXLE	MODEL
LEFT		

SIDE	AXLE	MODEL
RIGHT		

No. of Spline Teeth	L1	L2	L3	L4	L5	L6	L7	BUSHING (mm)	OFFSET	INCLINATION (deg)	SPLINE TYPE	CONTROL ARM
10	165							14	60	-10	SAE 11/2" 10 C	Double Bent (short; R=65 mm)
10	165							14	-60	-10	SAE 11/2" 10 C	Double Bent (short; R=65 mm)

## AUTOMATIC BRAKE ADJUSTER

GTSA NO **78114**

KAMAZ



**REFERENCE NO**  
79364

**CASTING**  
52894

**OEM NO**

GTSA NO **78115**

KAMAZ



**REFERENCE NO**  
79365

**CASTING**  
52895

**OEM NO**

SIDE	AXLE	MODEL
LEFT		

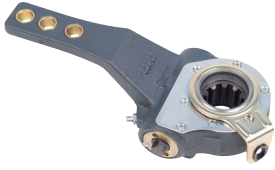
SIDE	AXLE	MODEL
RIGHT		

No. of Spline Teeth	L1	L2	L3	L4	L5	L6	L7	BUSHING (mm)	OFFSET	INCLINATION (deg)	SPLINE TYPE	CONTROL ARM
10	150							12,70	47,6	+22.5	SAE 1 1/2" 10 C	Double Bent (short; R=65 mm)
10	150							12,70	-47,6	+22.5	SAE 1 1/2" 10 C	Double Bent (short; R=65 mm)

## AUTOMATIC BRAKE ADJUSTER

GTSA NO **69552**

SAF



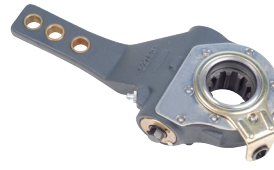
**REFERENCE NO**  
70802

**CASTING**  
52760

**OEM NO**  
21222873  
4175020900

GTSA NO **69553**

SAF



**REFERENCE NO**  
70803

**CASTING**  
52761

**OEM NO**  
21222874  
4175020800

SIDE	AXLE	MODEL
LEFT		TRAILER

SIDE	AXLE	MODEL
RIGHT		TRAILER

No. of Spline Teeth	L1	L2	L3	L4	L5	L6	L7	BUSHING (mm)	OFFSET	INCLINATION (deg)	SPLINE TYPE	CONTROL ARM
10	203	179	151					14	-38	0	SAE 1 1/2" 10 C	Bent
10	203	179	151					14	38	0	SAE 1 1/2" 10 C	Bent

GTSA NO **71577**

SAF



**REFERENCE NO**  
72827

**CASTING**  
53226

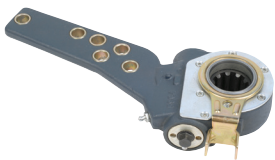
**OEM NO**  
4175023000

SIDE	AXLE	MODEL
LEFT&RIGHT		TRAILER

No. of Spline Teeth	L1	L2	L3	L4	L5	L6	L7	BUSHING (mm)	OFFSET	INCLINATION (deg)	SPLINE TYPE	CONTROL ARM
10	178	152	127					14 (L1:w/o)	0	-38	SAE 1 1/2" 10 C	Double Bent (medium; R=78 mm)

GTSA NO **78772**

SAF



**REFERENCE NO**  
80022

**CASTING**  
55027

**OEM NO**  
4731840

SIDE	AXLE	MODEL
LEFT&RIGHT		TRAILER

No. of Spline Teeth	L1	L2	L3	L4	L5	L6	L7	BUSHING (mm)	OFFSET	INCLINATION (deg)	SPLINE TYPE	CONTROL ARM
10	250	180	155	140	125	105		14	0	20	SAE 1 1/2" 10 C	Saddle Type



## AUTOMATIC BRAKE ADJUSTER

G TSA NO	HALDEX NO.	CASTING	APPLICATION	NO of SPLINE TEETH	L1	L2	L3	L4	L5	L6	L7	BUSHING (mm)	OFFSET	INCLINATION (deg)	SPLINE TYPE	CONTROL ARM
69699	70949	53865	SAF	10	200	176	152	127			14	(L1: w/o)	0	132,5	SAE 1 1/2" 10 C	Double bent (long; R=100 mm)
70757	72007	53863	SAF	10	178	152	127					14	-25	-30	SAE 1 1/2" 10 C	Double bent (medium; R=78 mm)
70758	72008	53864	SAF	10	178	152	127					14	25	-30	SAE 1 1/2" 10 C	Double bent (medium; R=78 mm)
70988	72238	53863	SAF	10	178	152	127					14	-25	-30	SAE 1 1/2" 10 C	Double bent (medium; R=78 mm)
70989	72239	53864	SAF	10	178	152	127					14	25	-30	SAE 1 1/2" 10 C	Double bent (medium; R=78 mm)
71000	72250	54032	SAF	10	250	210	180	150	125			14	0	20	SAE 1 1/2" 10 C	Bent
71019	72269	54086	SAF	10	210	180	150	125				14	0	20	SAE 1 1/2" 10 C	Bent
71020	72270	54086	SAF	10	153	129	105					14	0	20	SAE 1 1/2" 10 C	Bent
71021	72271	54032	SAF	10	250	195	165	135				14	0	20	SAE 1 1/2" 10 C	Bent
71304	72554	52752	SAF	10	203							14	0	0	SAE 1 1/2" 10 C	Bent
71326	72576	54086	SAF	10	203	165	140	115				14	0	20	SAE 1 1/2" 10 C	Bent
71331	72581	54086	SAF	10	215	181	153	129	105			14	0	20	SAE 1 1/2" 10 C	Bent
71452	72702	54076	SAF	10	250	180	155	140	125	105		14	0	20	SAE 1 1/2" 10 C	Bent
71460	72710	52752	SAF	10	210	180	150	125				14	0	0	SAE 1 1/2" 10 C	Double bent (short; R=65 mm)
71513	72763	54076	SAF	10	250	180	165	150	135	120		14	0	20	SAE 1 1/2" 10 C	Bent
71613	72863	54032	SAF	10	215	181	153	129	105			14	0	20	SAE 1 1/2" 10 C	Bent
71698	72948	54032	SAF	10	250	210	180	150	125			14	0	20	SAE 1 1/2" 10 C	Saddle type
77755	79005	54076	SAF	10	250	180	155	140	125	105		14	0	20	SAE 1 1/2" 10 C	Saddle type
77756	79006	54086	SAF	10	153	129	105					14	0	20	SAE 1 1/2" 10 C	Saddle type
77785	79035	54086	SAF	10	215	181	153	129	105			14	0	20	SAE 1 1/2" 10 C	Saddle type
77788	79038	52765	SAF	10	178	152	127					14	-12,7	0	SAE 1 1/2" 10 C	Double bent (short; R=65 mm)
77789	79039	52766	SAF	10	178	152	127					14	12,7	0	SAE 1 1/2" 10 C	Double bent (short; R=65 mm)
77793	79043	52760	SAF	10	179	152						14	-38	0	SAE 1 1/2" 10 C	Double bent (short; R=65 mm)
77794	79044	52761	SAF	10	179	152						14	38	0	SAE 1 1/2" 10 C	Double bent (short; R=65 mm)
77802	79052	54087	SAF	10	152	127						14	-45	0	SAE 1 1/2" 10 C	Bent
77803	79053	54088	SAF	10	152	127						14	45	0	SAE 1 1/2" 10 C	Bent
77836	79086	53884	SAF	10	130							14	35	0	SAE 1 1/2" 10 C	Double bent (short; R=65 mm)
77837	79087	53883	SAF	10	130							14	-35	0	SAE 1 1/2" 10 C	Double bent (short; R=65 mm)
77840	79090	52752	SAF	10	203	178	152	127				14	0	0	SAE 1 1/2" 10 C	Bent
77990	79240	54097	SAF	10	180	155	140	125				14	0	20	SAE 1 1/2" 10 C	Saddle type
78791	80041	55027	SAF	10	180	155	140	125				14	0	20	SAE 1 1/2" 10 C	Saddle type

## AUTOMATIC BRAKE ADJUSTER

### GTSA NO **71629** BPW



**REFERENCE NO**  
72879

**CASTING**  
53863

**OEM NO**  
4731476 12137

SIDE	AXLE	MODEL
LEFT		TRAILER

No. of Spline Teeth	L1	L2	L3	L4	L5	L6	L7	BUSHING (mm)	OFFSET
10	178	152	127					14	-25
10	178	152	127					14	25

### GTSA NO **71630** BPW



**REFERENCE NO**  
72880

**CASTING**  
53864

**OEM NO**  
4731477 12138

SIDE	AXLE	MODEL
RIGHT		TRAILER

No. of Spline Teeth	L1	L2	L3	L4	L5	L6	L7	BUSHING (mm)	OFFSET	INCLINATION (deg)	SPLINE TYPE	CONTROL ARM
10	178	152	127					14	-25	-30	SAE 11/2" 10 C	Bent
10	178	152	127					14	25	-30	SAE 11/2" 10 C	Bent

### GTSA NO **71631** BPW



**REFERENCE NO**  
72881

**CASTING**  
53863

**OEM NO**  
12192

SIDE	AXLE	MODEL
LEFT		TRAILER

No. of Spline Teeth	L1	L2	L3	L4	L5	L6	L7	BUSHING (mm)	OFFSET
10	165	135						14	-25
10	165	135						14	25

### GTSA NO **71632** BPW



**REFERENCE NO**  
72882

**CASTING**  
53864

**OEM NO**  
12193

SIDE	AXLE	MODEL
RIGHT		TRAILER

No. of Spline Teeth	L1	L2	L3	L4	L5	L6	L7	BUSHING (mm)	OFFSET	INCLINATION (deg)	SPLINE TYPE	CONTROL ARM
10	165	135						14	-25	-30	SAE 11/2" 10 C	Bent
10	165	135						14	25	-30	SAE 11/2" 10 C	Bent

### GTSA NO **71697** BPW



**REFERENCE NO**  
72947

**CASTING**  
53226

**OEM NO**  
14585 14586 246392

SIDE	AXLE	MODEL
LEFT&RIGHT		TRAILER

No. of Spline Teeth	L1	L2	L3	L4	L5	L6	L7	BUSHING (mm)	OFFSET	INCLINATION (deg)	SPLINE TYPE	CONTROL ARM
10	180							16	0	-38	SAE 11/2" 10 C	Double Bent (long; R=100 mm)

# AUTOMATIC BRAKE ADJUSTER

G TSA NO **78769**

BPW



**REFERENCE NO**  
80019

**CASTING**  
55027

**OEM NO**  
0557482873 14503  
517482392

SIDE	AXLE	MODEL
LEFT&RIGHT		TRAILER

No. of Spline Teeth	L1	L2	L3	L4	L5	L6	L7	BUSHING (mm)	OFFSET	INCLINATION (deg)	SPLINE TYPE	CONTROL ARM
26	250	180	165	150	135	120		14	0	20	SAE 1 1/2" 10 C	Saddle Type

G TSA NO	HALDEX NO.	CASTING	APPLICATION	NO of SPLINE TEETH	L1	L2	L3	L4	L5	L6	BUSHING [mm]	OFFSET	INCLINATION [deg]	SPLINE TYPE	CONTROL ARM
69428	70678	52752	BPW	10	180	150	120				14	0	0	SAE 1 1/2" 10 C	Bent
69518	70768	53068	BPW	10	180	150					14	-28,5	0	SAE 1 1/2" 10 C	Bent
71003	72253	54032	BPW	10	250	180	150	120			14	0	20	SAE 1 1/2" 10 C	Bent
71198	72448	52752	BPW	10	210	180	150	120			14	0	0	SAE 1 1/2" 10 C	Bent
71453	72703	54076	BPW	10	250	180	165	150	135	120	14	0	20	SAE 1 1/2" 10 C	Bent
71625	72875	54076	BPW	10	250	180	165	150	135	120	14	0	20	SAE 1 1/2" 10 C	Saddle type
71626	72876	54076	BPW	10	250	180	165	150	135	120	14	0	20	SAE 1 1/2" 10 C	Saddle type
71627	72877	54006	BPW	10	200	176	152				14 [L1: w/o]	-39	-35	SAE 1 1/2" 10 C	Bent
71628	72878	54007	BPW	10	200	176	152				14 [L1: w/o]	39	-35	SAE 1 1/2" 10 C	Bent
71633	72883	54076	BPW	10	250	180	165	150	135	120	14	0	20	SAE 1 1/2" 10 C	Bent
71634	72884	53068	BPW	10	198	173	148				14	-28,5	0	SAE 1 1/2" 10 C	Double bent (long; R=100 mm)
71635	72885	53069	BPW	10	198	173	148				w/o [L1: 14]	28,5	0	SAE 1 1/2" 10 C	Double bent (long; R=100 mm)
71695	72945	53068	BPW	10	198	173	148				14	-28,5	0	SAE 1 1/2" 10 C	Bent
71696	72946	53069	BPW	10	198	173	148				w/o [L1: 14]	28,5	0	SAE 1 1/2" 10 C	Bent

**GTSA NO 70854**

FRUEHAUF



**REFERENCE NO**  
72104

**CASTING**  
54086

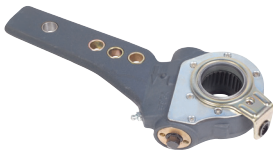
**OEM NO**

SIDE	AXLE	MODEL
LEFT&RIGHT		TRAILER

No. of Spline Teeth	L1	L2	L3	L4	L5	L6	L7	BUSHING (mm)	OFFSET	INCLINATION (deg)	SPLINE TYPE	CONTROL ARM
37	210	153	129	105				14	0	20	SAE J 498	Bent

**GTSA NO 71016**

FRUEHAUF



**REFERENCE NO**  
72266

**CASTING**  
54086

**OEM NO**

SIDE	AXLE	MODEL
LEFT&RIGHT		TRAILER

No. of Spline Teeth	L1	L2	L3	L4	L5	L6	L7	BUSHING (mm)	OFFSET	INCLINATION (deg)	SPLINE TYPE	CONTROL ARM
37	215	153	129	105				14 (L1:16)	0	20	SAE J 498	Bent

**GTSA NO 71018**

FRUEHAUF



**REFERENCE NO**  
72268

**CASTING**  
54086

**OEM NO**  
537146

SIDE	AXLE	MODEL
LEFT&RIGHT		TRAILER

No. of Spline Teeth	L1	L2	L3	L4	L5	L6	L7	BUSHING (mm)	OFFSET	INCLINATION (deg)	SPLINE TYPE	CONTROL ARM
10	215	181	153	129	105			12,70	0	20	SAE 11/2" 10 C	Bent

## AUTOMATIC BRAKE ADJUSTER

G TSA NO **71319**

FRUEHAUF



**REFERENCE NO**  
72569

**CASTING**  
54086

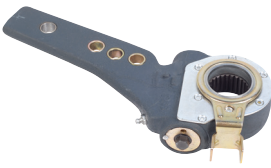
**OEM NO**  
BFSA018 CF351972

SIDE	AXLE	MODEL
LEFT&RIGHT		TRAILER

No. of Spline Teeth	L1	L2	L3	L4	L5	L6	L7	BUSHING (mm)	OFFSET	INCLINATION (deg)	SPLINE TYPE	CONTROL ARM
10	118							14	0	20	SAE 1 1/2" 10 C	Bent

G TSA NO **77772**

FRUEHAUF



**REFERENCE NO**  
79022

**CASTING**  
54086

**OEM NO**  
06310030  
105002001 12630  
1387718

SIDE	AXLE	MODEL
LEFT&RIGHT		TRAILER

No. of Spline Teeth	L1	L2	L3	L4	L5	L6	L7	BUSHING (mm)	OFFSET	INCLINATION (deg)	SPLINE TYPE	CONTROL ARM
37	215	153	129	105				14 (L1:16)	0	20	SAE J 498	Saddle Type F

G TSA NO **78771**

FRUEHAUF



**REFERENCE NO**  
80021

**CASTING**  
55027

**OEM NO**  
KB1020D

SIDE	AXLE	MODEL
LEFT&RIGHT		TRAILER

No. of Spline Teeth	L1	L2	L3	L4	L5	L6	L7	BUSHING (mm)	OFFSET	INCLINATION (deg)	SPLINE TYPE	CONTROL ARM
37	215	153	129	105				14 (L1:16)	0	20	SAE J 498	Saddle Type

GTSA NO **78782**

FRUEHAUF



**REFERENCE NO**  
80032

**CASTING**  
55027

**OEM NO**

SIDE	AXLE	MODEL
LEFT&RIGHT		TRAILER

No. of Spline Teeth	L1	L2	L3	L4	L5	L6	L7	BUSHING (mm)	OFFSET	INCLINATION (deg)	SPLINE TYPE	CONTROL ARM
10	150	125						12,70	0	20	SAE 1 1/2" 10 C	Saddle Type

GTSA NO **78787**

FRUEHAUF



**REFERENCE NO**  
80037

**CASTING**  
55027

**OEM NO**

SIDE	AXLE	MODEL
LEFT&RIGHT		TRAILER

No. of Spline Teeth	L1	L2	L3	L4	L5	L6	L7	BUSHING (mm)	OFFSET	INCLINATION (deg)	SPLINE TYPE	CONTROL ARM
37	150	125						12,70	0	20	SAE J 498	Saddle Type

GTSA NO	HALDEX NO.	CASTING	APPLICATION	NO of SPLINE TEETH	L1	L2	L3	L4	L5	BUSHING (mm)	OFFSET	INCLINATION (deg)	SPLINE TYPE	CONTROL ARM
10891	12141	52760	FRUEHAUF	10	140					14	-38	0	SAE 1 1/2" 10 C	Bent
10892	12142	52761	FRUEHAUF	10	140					14	38	0	SAE 1 1/2" 10 C	Bent
69604	70854	52752	FRUEHAUF	37	210	180	150	125		14 (L1: w/o)	0	0	SAE J 498	Double bent (short; R=65 mm)
69709	70959	52752	FRUEHAUF	37	210	180	155	130		14 (L1: w/o)	0	0	SAE J 498	Double bent (short; R=65 mm)
69729	70979	52752	FRUEHAUF	37	203	178	152	127		12,7 (L1:w/o)	0	0	SAE J 498	Bent
70781	72031	52752	FRUEHAUF	10	200	142	118			12,7	0	0	SAE 1 1/2" 10 C	Bent
70853	72103	52752	FRUEHAUF	10	200	142	118			14	0	0	SAE 1 1/2" 10 C	Bent
70865	72115	52752	FRUEHAUF	10	200	142	118			12,7	0	0	SAE 1 1/2" 10 C	Bent
71017	72267	54086	FRUEHAUF	10	215	153	129	105		14 (L1: 16)	0	20	SAE 1 1/2" 10 C	Bent

# AUTOMATIC BRAKE ADJUSTER

**GTSA NO 70767** KÄSSBOHRER



**REFERENCE NO**  
72017

**CASTING**  
52985

**OEM NO**  
82830005900

SIDE	AXLE	MODEL
LEFT	2	COACH

No. of Spline Teeth	L1	L2	L3	L4	L5	L6	L7	BUSHING (mm)	OFFSET
19	160							14	-38
19	160							14	38

**GTSA NO 70768** KÄSSBOHRER



**REFERENCE NO**  
72018

**CASTING**  
52987

**OEM NO**  
82830005890

SIDE	AXLE	MODEL
RIGHT	2	COACH

INCLINATION (deg)	SPLINE TYPE	CONTROL ARM
-34	A38x34 DIN 5482	Bent
-34	A38x34 DIN 5482	Bent

**GTSA NO 71124** KÄSSBOHRER



**REFERENCE NO**  
72374

**CASTING**  
52753

**OEM NO**  
82850000810

SIDE	AXLE	MODEL
LEFT	2	COACH

No. of Spline Teeth	L1	L2	L3	L4	L5	L6	L7	BUSHING (mm)	OFFSET
10	175							16	-22
10	175							16	22

**GTSA NO 71125** KÄSSBOHRER



**REFERENCE NO**  
72375

**CASTING**  
52754

**OEM NO**  
82850000800

SIDE	AXLE	MODEL
RIGHT	2	COACH

INCLINATION (deg)	SPLINE TYPE	CONTROL ARM
0	SAE 11/2" 10 C	Bent
0	SAE 11/2" 10 C	Bent

**GTSA NO 77790** KÄSSBOHRER



**REFERENCE NO**  
79040

**CASTING**  
52760

**OEM NO**  
82850000900  
82850005380

SIDE	AXLE	MODEL
LEFT	2	COACH S215

No. of Spline Teeth	L1	L2	L3	L4	L5	L6	L7	BUSHING (mm)	OFFSET
19	175							14	-38
19	175							14	38

**GTSA NO 77791** KÄSSBOHRER



**REFERENCE NO**  
79041

**CASTING**  
52761

**OEM NO**  
82850000890  
82850005390

SIDE	AXLE	MODEL
RIGHT	2	COACH S215

INCLINATION (deg)	SPLINE TYPE	CONTROL ARM
0	A38x34 DIN 5482	Bent
0	A38x34 DIN 5482	Bent

G TSA NO	HALDEX NO.	CASTING	APPLICATION	NO of SPLINE TEETH	L1	L2	L3	L4	L5	L6	BUSHING (mm)	OFFSET	INCLINATION (deg)	SPLINE TYPE	CONTROL ARM
69437	70687	52752	KÄSSBOHRER	37	180	150					14	0	0	A36x40 DIN 5481	Bent
69466	70716	52894	KÄSSBOHRER	19	170						14	47,6	22,5	A38x34 DIN 5482	Bent
69467	70717	52895	KÄSSBOHRER	19	170						14	-47,6	22,5	A38x34 DIN 5482	Bent
69468	70718	52760	KÄSSBOHRER	19	170						14	-38	0	A38x34 DIN 5482	Bent
69469	70719	52761	KÄSSBOHRER	19	170						14	38	0	A38x34 DIN 5482	Bent
69470	70720	54085	KÄSSBOHRER	19	145						14	0	0	A38x34 DIN 5482	Bent
69739	70989	52752	KÄSSBOHRER	37	180	150					14	0	0	A36x40 DIN 5481	Bent
70764	72014	52760	KÄSSBOHRER	19	160						14	-38	0	A38x34 DIN 5482	Bent
70765	72015	52761	KÄSSBOHRER	19	160						14	38	0	A38x34 DIN 5482	Bent
70766	72016	53226	KÄSSBOHRER	19	145						14	0	-38	A38x34 DIN 5482	Bent
70767	72017	52985	KÄSSBOHRER	19	160						14	-38	-34	A38x34 DIN 5482	Bent
70768	72018	52987	KÄSSBOHRER	19	160						14	38	-34	A38x34 DIN 5482	Bent
71120	72370	52760	KÄSSBOHRER	19	175						14	-38	0	A38x34 DIN 5482	Double bent (long; R=100 mm)
71121	72371	52761	KÄSSBOHRER	19	175						14	38	0	A38x34 DIN 5482	Double bent (long; R=100 mm)
71122	72372	52760	KÄSSBOHRER	28	175						12,7	-38	0	SAE 11/2" 28 C	Bent
71123	72373	52761	KÄSSBOHRER	28	175						12,7	38	0	SAE 11/2" 28 C	Bent
71124	72374	52753	KÄSSBOHRER	10	175						16	-22	0	SAE 11/2" 10 C	Bent
71125	72375	52754	KÄSSBOHRER	10	175						16	22	0	SAE 11/2" 10 C	Bent
71126	72376	52752	KÄSSBOHRER	28	145						12,7	0	0	SAE 17/16" 28 C	Bent
71166	72416	54032	KÄSSBOHRER	37	250	180	150	120			14	0	20	A36x40 DIN 5481	Bent
71176	72426	52771	KÄSSBOHRER	28	140						w/o	16	22,5	SAE 11/2" 28 C	Bent
71177	72427	52772	KÄSSBOHRER	28	140						12,7	-16	22,5	SAE 11/2" 28 C	Bent
71341	72591	52760	KÄSSBOHRER	19	150						14	-38	0	A38x34 DIN 5482	Bent
71342	72592	52761	KÄSSBOHRER	19	150						14	38	0	A38x34 DIN 5482	Bent
71508	72758	54076	KÄSSBOHRER	37	250	180	165	150	135	120	14 (L1: w/o)	0	20	A36x40 DIN 5481	Bent
77790	79040	52760	KÄSSBOHRER	19	175						14	-38	0	A38x34 DIN 5482	Bent
77791	79041	52761	KÄSSBOHRER	19	175						14	38	0	A38x34 DIN 5482	Bent



# AUTOMATIC BRAKE ADJUSTER

**GTSA NO 71538**

ROR



**REFERENCE NO**  
72788

**CASTING**  
54097

**OEM NO**  
105017011

SIDE	AXLE	MODEL
LEFT&RIGHT		TRAILER

No. of Spline Teeth	L1	L2	L3	L4	L5	L6	L7	BUSHING (mm)	OFFSET	INCLINATION (deg)	SPLINE TYPE	CONTROL ARM
10	205	153	140	127	115			14	0	20	SAE 11/2" 10 C	Saddle Type

**GTSA NO 77801**

ROR



**REFERENCE NO**  
79051

**CASTING**  
54086

**OEM NO**  
21226978

SIDE	AXLE	MODEL
LEFT&RIGHT		TRAILER

No. of Spline Teeth	L1	L2	L3	L4	L5	L6	L7	BUSHING (mm)	OFFSET	INCLINATION (deg)	SPLINE TYPE	CONTROL ARM
10	215	181	153	129	105			14	0	20	SAE 11/2" 10 C	Double Bent (short; R=65 mm)

**GTSA NO 77847**

ROR



**REFERENCE NO**  
79097

**CASTING**  
52755

**OEM NO**  
21225221 21229280

SIDE	AXLE	MODEL
LEFT		TRAILER

No. of Spline Teeth	L1	L2	L3	L4	L5	L6	L7	BUSHING (mm)	OFFSET	INCLINATION (deg)	SPLINE TYPE	CONTROL ARM
10	180	150	125					14	-16	0	SAE 11/2" 10 C	Double Bent (short; R=65 mm)
10	180	150	125					14	16	0	SAE 11/2" 10 C	Double Bent (short; R=65 mm)

**GTSA NO 77848**

ROR



**REFERENCE NO**  
79098

**CASTING**  
52756

**OEM NO**  
21225220 21229281

SIDE	AXLE	MODEL
RIGHT		TRAILER

**AUTOMATIC BRAKE ADJUSTER**

**GTSA NO 77933**

ROR



**REFERENCE NO**  
79183

**CASTING**  
54097

**OEM NO**  
009197

SIDE	AXLE	MODEL
LEFT&RIGHT		TRAILER

No. of Spline Teeth	L1	L2	L3	L4	L5	L6	L7	BUSHING (mm)	OFFSET	INCLINATION (deg)	SPLINE TYPE	CONTROL ARM
10	127	140	153					14	0	20	SAE 11/2" 28 C	BENT

**GTSA NO 71667**

ROR



**REFERENCE NO**  
72917

**CASTING**  
52760

**OEM NO**  
21222924

SIDE	AXLE	MODEL
LEFT		TRAILER

No. of Spline Teeth	L1	L2	L3	L4	L5	L6	L7	BUSHING (mm)	OFFSET	INCLINATION (deg)	SPLINE TYPE	CONTROL ARM
10	140							14	-38	0	SAE 11/2" 10 C	Bent
10	140							14	38	0	SAE 11/2" 10 C	Bent

**GTSA NO 71668**

ROR



**REFERENCE NO**  
72918

**CASTING**  
52761

**OEM NO**  
21222925

SIDE	AXLE	MODEL
RIGHT		TRAILER

**GTSA NO 78770**

ROR



**REFERENCE NO**  
80020

**CASTING**  
55027

**OEM NO**  
14511 14513 4731857

SIDE	AXLE	MODEL
LEFT&RIGHT		TRAILER

No. of Spline Teeth	L1	L2	L3	L4	L5	L6	L7	BUSHING (mm)	OFFSET	INCLINATION (deg)	SPLINE TYPE	CONTROL ARM
10	205	153	140	127	115			14	0	20	SAE 11/2" 10 C	Saddle Type

All manufacturer names, trademarks, product descriptions contained in this product catalog are for reference only. All reference numbers are for comparison purposes.

## AUTOMATIC BRAKE ADJUSTER

G TSA NO	HALDEX NO.	CASTING	APPLICATION	NO of SPLINE TEETH	L1	L2	L3	L4	L5	L6	L7	BUSHING (mm)	OFFSET	INCLINATION (deg)	SPLINE TYPE	CONTROL ARM
69326	70576	52752	ROR	10	203	178	152	127				12,7	0	0	SAE 1 1/2" 10 C	Bent
69632	70882	52752	ROR/SAB	10	203	178	152	127				12,7	0	0	SAE 1 1/2" 10 C	Bent
69633	70883	52752	ROR/SAB	10								-	0	0	SAE 1 1/2" 10 C	Bent
69634	70884	52897	ROR/SAB	10	254	152						12,7	0	0	SAE 1 1/2" 10 C	Bent
69636	70886	52752	ROR/SAB	10	190	140						12,7	0	0	SAE 1 1/2" 10 C	Bent
71005	72255	54086	ROR	10	215	181	153	129	105			12,7	0	20	SAE 1 1/2" 10 C	Bent
71006	72256	54086	ROR	10	215	181	153	129	105			12,7	0	20	SAE 1 1/2" 10 C	Bent
71009	72259	54086	ROR	37	215	181	153	129	105			14 (L1: w/o)	0	20	SAE J 498	Bent
71010	72260	54086	ROR	10	215	181	153	129	105			14	0	20	SAE 1 1/2" 10 C	Bent
71109	72359	54086	ROR	10	215	142	118					14 (L1: 16)	0	20	SAE 1 1/2" 10 C	Bent
71538	72788	54097	ROR	10	205	153	140	127	115			14	0	20	SAE 1 1/2" 10 C	Saddle type
77801	79051	54086	ROR	10	215	181	153	129	105			14	0	20	SAE 1 1/2" 10 C	Double bent (short; R=65 mm)
77830	79080	53226	ROR	28	165							14	0	-38	SAE 17/16" 28 C	Double bent (long; R=100 mm)
77859	79109	54076	ROR	10	250	180	155	140	125	105		14	0	20	SAE 1 1/2" 10 C	Saddle type
78253	79503	53863	ROR	28	152	127						12,7	-25	-30	SAE 1 1/2" 28 C	Double bent (long; R=100 mm)
78254	79504	53864	ROR	28	152	127						12,7	25	-30	SAE 1 1/2" 28 C	Double bent (long; R=100 mm)
78369	79619	54076	ROR/VH	10	238	203	178	152	140	127	114	14 (L1: w/o)	0	20	SAE 1 1/2" 10 C	Saddle type

## AUTOMATIC BRAKE ADJUSTER

GTSA NO **71333**

TEMSA



**REFERENCE NO**  
72583

**CASTING**  
52901

**OEM NO**  
TC807634

GTSA NO **71334**

TEMSA



**REFERENCE NO**  
72584

**CASTING**  
52902

**OEM NO**  
TC807635

SIDE	AXLE	MODEL
RIGHT		

SIDE	AXLE	MODEL
LEFT		

No. of Spline Teeth	L1	L2	L3	L4	L5	L6	L7	BUSHING (mm)	OFFSET	INCLINATION (deg)	SPLINE TYPE	CONTROL ARM
25	145							14	60,3	+22.5	JIS B 1602	Double Bent (medium; R=78 mm)
25	145							14	-60,3	+22.5	JIS B 1602	Double Bent (medium; R=78 mm)

GTSA NO **71335**

TEMSA



**REFERENCE NO**  
72585

**CASTING**  
53226

**OEM NO**  
TC807632

SIDE	AXLE	MODEL
LEFT&RIGHT		

No. of Spline Teeth	L1	L2	L3	L4	L5	L6	L7	BUSHING (mm)	OFFSET	INCLINATION (deg)	SPLINE TYPE	CONTROL ARM
25	135							14	0	-38	JIS B 1602	Double Bent (medium; R=78 mm)

GTSA NO **71522**

HYUNDAI



**REFERENCE NO**  
72772

**CASTING**  
54004

**OEM NO**

GTSA NO **71523**

HYUNDAI



**REFERENCE NO**  
72773

**CASTING**  
54005

**OEM NO**

SIDE	AXLE	MODEL
RIGHT		

SIDE	AXLE	MODEL
LEFT		

No. of Spline Teeth	L1	L2	L3	L4	L5	L6	L7	BUSHING (mm)	OFFSET	INCLINATION (deg)	SPLINE TYPE	CONTROL ARM
10	145							14	60	34,5	SAE 1 1/2" 10 C	Double Bent (Short; R=65 mm)
10	145							14	-60	34,5	SAE 1 1/2" 10 C	Double Bent (Short; R=65 mm)

## AUTOMATIC BRAKE ADJUSTER

G TSA NO **71527**

HYUNDAI



**REFERENCE NO**  
72777

**CASTING**  
53226

**OEM NO**

SIDE	AXLE	MODEL
LEFT&RIGHT		

No. of Spline Teeth	L1	L2	L3	L4	L5	L6	L7	BUSHING (mm)	OFFSET	INCLINATION (deg)	SPLINE TYPE	CONTROL ARM
10	135							16	0	-38	SAE 11/2" 10 C	Double Bent (Short; R=65 mm)

G TSA NO **71528**

HYUNDAI



**REFERENCE NO**  
72778

**CASTING**  
53226

**OEM NO**

SIDE	AXLE	MODEL
LEFT&RIGHT		

No. of Spline Teeth	L1	L2	L3	L4	L5	L6	L7	BUSHING (mm)	OFFSET	INCLINATION (deg)	SPLINE TYPE	CONTROL ARM
10	145							16	0	-38	SAE 11/2" 10 C	Double Bent (Short; R=65 mm)

G TSA NO **9101W**

SETRA



**REFERENCE NO**

**CASTING**

**OEM NO**  
4335435170

SIDE	AXLE	MODEL
LEFT		

No. of Spline Teeth	L1	L2	L3	L4	L5	L6	L7	BUSHING (mm)	OFFSET	INCLINATION (deg)	SPLINE TYPE	CONTROL ARM
19	175							14				
19	175							14				

G TSA NO **9102W**

SETRA



**REFERENCE NO**

**CASTING**

**OEM NO**  
4335435180

SIDE	AXLE	MODEL
RIGHT		

**AUTOMATIC BRAKE ADJUSTER**

G TSA NO **77934**

FODEN



**REFERENCE NO**  
79184

**CASTING**  
53226

**OEM NO**  
2700052000  
2700054

SIDE	AXLE	MODEL
LEFT&RIGHT LEFT&RIGHT LEFT&RIGHT	2, 3, 4	3000 Series, 4000 Series, ALPHA

No. of Spline Teeth	L1	L2	L3	L4	L5	L6	L7	BUSHING (mm)	OFFSET	INCLINATION (deg)	SPLINE TYPE	CONTROL ARM
28	127							12,7	0	-38	SAE 11/2" 28 C	Double Bent (Medium; R=78 mm)

G TSA NO **78099**

FODEN



**REFERENCE NO**  
79349

**CASTING**  
53704

**OEM NO**

SIDE	AXLE	MODEL
LEFT		

No. of Spline Teeth	L1	L2	L3	L4	L5	L6	L7	BUSHING (mm)	OFFSET	INCLINATION (deg)	SPLINE TYPE	CONTROL ARM
10	165							14	-50	0	SAE 11/2" 10 C	Double Bent (short; R=65 mm)
10	165							14	50	0	SAE 11/2" 10 C	Double Bent (short; R=65 mm)

G TSA NO **78100**

FODEN



**REFERENCE NO**  
79350

**CASTING**  
53705

**OEM NO**

SIDE	AXLE	MODEL
RIGHT		

G TSA NO **77898**

SAE



**REFERENCE NO**  
79148

**CASTING**  
54097

**OEM NO**  
9002281

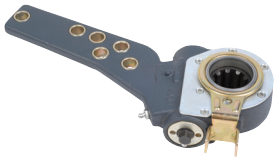
SIDE	AXLE	MODEL
LEFT&RIGHT		TRAILER

No. of Spline Teeth	L1	L2	L3	L4	L5	L6	L7	BUSHING (mm)	OFFSET	INCLINATION (deg)	SPLINE TYPE	CONTROL ARM
10	178	153	127					14	0	20	SAE 11/2" 10 C	Double Bent (short; R=65 mm)

# AUTOMATIC BRAKE ADJUSTER

**GTSA NO 77899**

SAE



**REFERENCE NO**  
79149

**CASTING**  
54076

**OEM NO**  
9002113

SIDE	AXLE	MODEL
LEFT&RIGHT		TRAILER

No. of Spline Teeth	L1	L2	L3	L4	L5	L6	L7	BUSHING (mm)	OFFSET	INCLINATION (deg)	SPLINE TYPE	CONTROL ARM
10	250	180	155	140	125	105		14	0	20	SAE 11/2" 10 C	Saddle Type

**GTSA NO 71679**

ZF/Neoplan



**REFERENCE NO**  
72929

**CASTING**  
54040

**OEM NO**  
1137064 3231343  
42531790

SIDE	AXLE	MODEL
LEFT		TRAILER

No. of Spline Teeth	L1	L2	L3	L4	L5	L6	L7	BUSHING (mm)	OFFSET	INCLINATION (deg)	SPLINE TYPE	CONTROL ARM
19	152							14	50	22	A38x34 DIN 5482	Double Bent (short; R=65 mm)
19	152							14	-28,5	0	A38x34 DIN 5482	Double Bent (short; R=65 mm)

**GTSA NO 71680**

ZF/Neoplan



**REFERENCE NO**  
72930

**CASTING**  
53068

**OEM NO**  
1137065 3231273  
42531791

SIDE	AXLE	MODEL
RIGHT		TRAILER

**GTSA NO 70953**

ZF/Neoplan



**REFERENCE NO**  
72203

**CASTING**  
53863

**OEM NO**  
0501309398  
11013281 4731246

SIDE	AXLE	MODEL
LEFT	1	STARLINER

No. of Spline Teeth	L1	L2	L3	L4	L5	L6	L7	BUSHING (mm)	OFFSET	INCLINATION (deg)	SPLINE TYPE	CONTROL ARM
19	145							14	-25	-30	A38x34 DIN 5482	Double Bent (short; R=65 mm)
19	145							14	25	-30	A38x34 DIN 5482	Double Bent (short; R=65 mm)

**GTSA NO 70954**

ZF/Neoplan



**REFERENCE NO**  
72204

**CASTING**  
53864

**OEM NO**  
0501309399  
4731253

SIDE	AXLE	MODEL
RIGHT	1	STARLINER

## AUTOMATIC BRAKE ADJUSTER

G TSA NO **78774**

TRAILER



**REFERENCE NO**  
80024

**CASTING**  
55027

**OEM NO**  
14545 KB1015D

SIDE	AXLE	MODEL
LEFT&RIGHT		TRAILER

No. of Spline Teeth	L1	L2	L3	L4	L5	L6	L7	BUSHING (mm)	OFFSET	INCLINATION (deg)	SPLINE TYPE	CONTROL ARM
10	210	180	150	125				14	0	20	SAE 11/2" 10 C	Saddle Type

G TSA NO **71209**

VAN HOOL



**REFERENCE NO**  
72459

**CASTING**  
52753

**OEM NO**  
135027/2 633104610

SIDE	AXLE	MODEL
LEFT	2	BUS

No. of Spline Teeth	L1	L2	L3	L4	L5	L6	L7	BUSHING (mm)	OFFSET	INCLINATION (deg)	SPLINE TYPE	CONTROL ARM
19	160							14	-22	0	A38x34 DIN 5482	Double Bent (short; R=65 mm)
19	160							14	22	0	A38x34 DIN 5482	Double Bent (short; R=65 mm)

G TSA NO **71210**

VAN HOOL



**REFERENCE NO**  
72460

**CASTING**  
52754

**OEM NO**  
164290/2 633104620

SIDE	AXLE	MODEL
RIGHT	2	BUS

G TSA NO **78249**

TATRA



**REFERENCE NO**  
79499

**CASTING**  
54042

**OEM NO**

SIDE	AXLE	MODEL
RIGHT		

No. of Spline Teeth	L1	L2	L3	L4	L5	L6	L7	BUSHING (mm)	OFFSET	INCLINATION (deg)	SPLINE TYPE	CONTROL ARM
26	175							14	-45	-30	40x1.5 CSN 014950.1	Bent
26	175							14	45	-30	40x1.5 CSN 014950.1	Bent

G TSA NO **78250**

TATRA



**REFERENCE NO**  
79500

**CASTING**  
54043

**OEM NO**

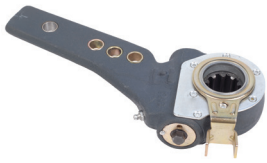
SIDE	AXLE	MODEL
LEFT		



## AUTOMATIC BRAKE ADJUSTER

GTSA NO **78773**

SMB



**REFERENCE NO**  
80023

**CASTING**  
55027

**OEM NO**  
14507 KB1025D

SIDE	AXLE	MODEL
LEFT&RIGHT		TRAILER

No. of Spline Teeth	L1	L2	L3	L4	L5	L6	L7	BUSHING (mm)	OFFSET	INCLINATION (deg)	SPLINE TYPE	CONTROL ARM
10	215	153	129	105				14 (L1:16)	0	20	SAE 1 1/2" 10 C	Saddle Type

GTSA NO **71112**

AMERICAN GROUP



**REFERENCE NO**

**CASTING**

**OEM NO**  
J0121PN0997  
K041771  
K046808

SIDE	AXLE	MODEL
FRONT & REAR		TRAILER - TRUCK - TRACTOR - STEERING AXLE

No. of Spline Teeth	L1	L2	L3	L4	L5	L6	L7	BUSHING (mm)	OFFSET	INCLINATION (deg)	SPLINE TYPE	CONTROL ARM
28	139,7							12,7	0	0	SAE 1 1/2" 28 C	

GTSA NO **71113**

AMERICAN GROUP



**REFERENCE NO**

**CASTING**

**OEM NO**  
G0721PN0896  
K041871  
AS1136  
AS1036

SIDE	AXLE	MODEL
FRONT & REAR		TRAILER - TRUCK - TRACTOR - LIFT AXLE

No. of Spline Teeth	L1	L2	L3	L4	L5	L6	L7	BUSHING (mm)	OFFSET	INCLINATION (deg)	SPLINE TYPE	CONTROL ARM
10	139,7							12,7	0	0	SAE 1 1/4" 10 C	

**GTSA NO 71114**

AMERICAN GROUP



**REFERENCE NO**

**CASTING**

**OEM NO**  
2732111472 K041871  
AS1132

SIDE	AXLE	MODEL
FRONT & REAR		TRAILER - TRUCK - TRACTOR

No. of Spline Teeth	L1	L2	L3	L4	L5	L6	L7	BUSHING (mm)	OFFSET	INCLINATION (deg)	SPLINE TYPE	CONTROL ARM
10	139,7							12,7	0	0	SAE 11/2" 10 C	

**GTSA NO 900600211**

AMERICAN GROUP



**REFERENCE NO**

40020211

**CASTING**

A216

**OEM NO**  
40926002

SIDE	AXLE	MODEL
		TRAILER

No. of Spline Teeth	L1	L2	L3	L4	L5	L6	L7	BUSHING (mm)	OFFSET	INCLINATION (deg)	SPLINE TYPE	CONTROL ARM
28	139,7							12,7	0	0	SAE 11/2" 28 C	

**GTSA NO 71117**

AMERICAN GROUP



**REFERENCE NO**

40020228

**CASTING**

A141

**OEM NO**  
40926017

SIDE	AXLE	MODEL
		TRAILER- LIFT AXLE

No. of Spline Teeth	L1	L2	L3	L4	L5	L6	L7	BUSHING (mm)	OFFSET	INCLINATION (deg)	SPLINE TYPE	CONTROL ARM
10	139,7							12,7	0	34	SAE 11/2" 10 C	

## AUTOMATIC BRAKE ADJUSTER

G TSA NO **71143**

AMERICAN GROUP



**REFERENCE NO**  
40010013

**CASTING**  
A216

**OEM NO**  
40910172

SIDE	AXLE	MODEL
REAR		TRUCK - LIFT AXLE

No. of Spline Teeth	L1	L2	L3	L4	L5	L6	L7	BUSHING (mm)	OFFSET	INCLINATION (deg)	SPLINE TYPE	CONTROL ARM
10	139,7							12,7	0	0	SAE 11/4" 10 C	

G TSA NO **900700155**

AMERICAN GROUP



**REFERENCE NO**  
40010155

**CASTING**  
A216

**OEM NO**  
40910635

SIDE	AXLE	MODEL
REAR		TRAILER - TRUCK - TRACTOR

No. of Spline Teeth	L1	L2	L3	L4	L5	L6	L7	BUSHING (mm)	OFFSET	INCLINATION (deg)	SPLINE TYPE	CONTROL ARM
10	139,7							16	0	0	SAE 11/2" 10 C	

G TSA NO **78101**

AMERICAN GROUP



**REFERENCE NO**  
79351 - 79352

**CASTING**  
54040

**OEM NO**  
79351 79352

SIDE	AXLE	MODEL
		ISUZU TRAILER

No. of Spline Teeth	L1	L2	L3	L4	L5	L6	L7	BUSHING (mm)	OFFSET	INCLINATION (deg)	SPLINE TYPE	CONTROL ARM
14	165	135						12	50	22		Bent (R=65 mm)

GTS NO	HALDEX NO.	CASTING	APPLICATION	NO of SPLINE TEETH	L1	L2	L3	L4	L5	BUSHING (mm)	OFFSET	INCLINATION (deg)	SPLINE TYPE	CONTROL ARM
9269	10519	54085	VAN HOOL	27	152					14	0	0	BNA 227	Bent
9687	10937	52760	DENNIS	10	140					12,7	-38	0	SAE 1 1/2" 10 C	Double bent (medium; R=78 mm)
9688	10938	52761	DENNIS	10	140					12,7	38	0	SAE 1 1/2" 10 C	Double bent (medium; R=78 mm)
9689	10939	54104	DENNIS	10	115					12,7	0	0	SAE 1 1/2"	Bent
9761	11011	54104	BOVA	10	140					14	0	0	SAE 1 1/2" 10 C	Bent
10882	12132	53226	FODEN	28	127					12,7	0	-38	SAE 1 1/2" 28 C	Double bent (long; R=100 mm)
10956	12206	54079	LIAZ	26	200					14	-73	0	40x1.5 CSN 014950.1	Double bent (short; R=65 mm)
10957	12207	54080	LIAZ	26	200					14	73	0	40x1.5 CSN 014950.1	Double bent (short; R=65 mm)
11004	12254	52760	HINO	19	150					12,7	-38	0	A38x34 DIN 5482	Bent
11005	12255	52761	HINO	19	150					12,7	38	0	A38x34 DIN 5482	Bent
11006	12256	52752	HINO	19	150					12,7	0	0	A38x34 DIN 5482	Bent
11060	12310	53226	JELTZ	27	180					14	0	-38	BNA 227	Double bent (short; R=65 mm)
11061	12311	54079	JELTZ	27	180					14	-73	0	BNA 227 D3.5	Double bent (short; R=65 mm)
11062	12312	54080	JELTZ	27	180					14	73	0	BNA 227 D3.5	Double bent (short; R=65 mm)
11063	12313	52755	JELTZ	27	180					14	-16	0	BNA 227 D3.5	Bent
11064	12314	52756	JELTZ	27	180					14	16	0	BNA 227 D3.5	Bent
11106	12356	54032	JELTZ	19	130					14	0	20	A38x34 DIN 5482	Bent
11113	12363	53717	LIAZ/IKARUS	19	165					14	-56,2	25	A38x34 DIN 5482	Double bent (short; R=65 mm)
11114	12364	53718	LIAZ/IKARUS	19	165					14	56,2	25	A38x34 DIN 5482	Double bent (short; R=65 mm)
69260	70510	54104	LEYLAND	10	114					12,7	0	0	SAE 1 1/2" 10 C	Bent
69261	70511	52760	LEYLAND	10	178					12,7	-38	0	SAE 1 1/2" 10 C	Bent
69262	70512	52761	LEYLAND	10	178					12,7	38	0	SAE 1 1/2" 10 C	Bent
69276	70526	52756	LEYLAND	10	165					12,7	16	0	SAE 1 1/2" 10 C	Double bent (short; R=65 mm)
69280	70530	52752	LEYLAND	10	178					12,7	0	0	SAE 1 1/2" 10 C	Double bent (short; R=65 mm)
69282	70532	52752	LEYLAND	10	203					12,7	0	0	SAE 1 1/2" 10 C	Bent
69332	70582	52756	LEYLAND	10	165					12,7	16	0	SAE 1 1/2" 10 C	Bent
69333	70583	52755	LEYLAND	10	165					12,7	-16	0	SAE 1 1/2" 10 C	Bent
69374	70624	52922	LEYLAND	10	178					12,7	0	26	SAE 1 1/2" 10 C	Bent
69376	70626	52771	LEYLAND	10	165					12,7	16	22,5	SAE 1 1/2" 10 C	Bent
69377	70627	52772	LEYLAND	10	165					12,7	-16	22,5	SAE 1 1/2" 10 C	Bent
69384	70634	52752	LEYLAND	10	179					12,7	0	0	SAE 1 1/2" 10 C	Bent
69410	70660	54085	LEYLAND	10	160					12,7	0	0	SAE 1 1/2" 10 C	Bent
69512	70762	52752	SAURER	19	180	135				14 (L1: w/o)	0	0	A38x34 DIN 5482	Double bent (short; R=65 mm)
69514	70764	52752	SAURER	19	180	135				14	0	0	A38x34 DIN 5482	Double bent (short; R=65 mm)
69535	70785	52766	LEYLAND	10	171					12,7	12,7	0	SAE 1 1/2" 10 C	Bent
69536	70786	52765	LEYLAND	10	171					12,7	-12,7	0	SAE 1 1/2" 10 C	Bent
69537	70787	52752	LEYLAND	10	203	151				12,7 (L1:w/o)	0	0	SAE 1 1/2" 10 C	Bent
69554	70804	52752	SAE	10	210	180	150	120		14	0	0	SAE 1 1/2" 10 C	Double bent (short; R=65 mm)
69559	70809	54085	FIAT	8	160					12,7	0	0	32 UNI 222	Double bent (short; R=65 mm)
69560	70810	54085	FIAT	8	160					12,7	0	0	32 UNI 222	Double bent (short; R=65 mm)
69590	70840	52760	LEYLAND	10	165					12,7	-38	0	SAE 1 1/2" 10 C	Bent
69591	70841	52761	LEYLAND	10	165					12,7	38	0	SAE 1 1/2" 10 C	Bent
69601	70851	54104	SISU	10	140					12,7	0	0	SAE 1 1/2" 10 C	Double bent (short; R=65 mm)
69602	70852	52897	SISU	10	178					16	0	0	SAE 1 1/2" 10 C	Double bent (short; R=65 mm)
69609	70859	54104	DENNIS/MCW	10	140					12,7	0	0	SAE 1 1/2" 10 C	Bent
69615	70865	52897	SAB	10	210	175				16	0	0	SAE 1 1/2" 10 C	Bent
69616	70866	52897	SAB	10	210	175				16	0	0	SAE 1 1/2" 10 C	Bent
69637	70887	52752	SAB	10	203	178	152	127		12,7	0	0	SAE 1 1/2" 10 C	Bent

## AUTOMATIC BRAKE ADJUSTER

G TSA NO	HALDEX NO.	CASTING	APPLICATION	NO of SPLINE TEETH	L1	L2	L3	L4	BUSHING [mm]	OFFSET	INCLINATION (deg)	SPLINE TYPE	CONTROL ARM
69641	70891	52752	FIAT	8	170				12,7	0	0	32 UNI 222	Double bent (short; R=65 mm)
69642	70892	54086	FIAT	8	180				12,7	0	20	32 UNI 222	Double bent (short; R=65 mm)
69643	70893	52760	DANA/MCW	10	140				12,7	-38	0	SAE 1 1/2" 10 C	Bent
69644	70894	52761	DANA/MCW	10	140				12,7	38	0	SAE 1 1/2" 10 C	Bent
69655	70905	52752	VAN HOOL	10	152				14	0	0	SAE 1 1/2" 10 C	Double bent (short; R=65 mm)
69680	70930	53185	MCW	10	140				12,7	-56	4	SAE 1 1/2" 10 C	Bent
69681	70931	53186	MCW	10	140				12,7	56	4	SAE 1 1/2" 10 C	Bent
69693	70943	52771	LEYLAND	10	155				12,7	16	22,5	SAE 1 1/2" 10 C	Bent
69694	70944	52772	LEYLAND	10	155				12,7	-16	22,5	SAE 1 1/2" 10 C	Bent
69695	70945	52752	LEYLAND	10	180				12,7	0	0	SAE 1 1/2" 10 C	Bent
69736	70986	54104	DENNIS	10	140				12,7	0	0	SAE 1 1/2" 10 C	Double bent (medium; R=78 mm)
70769	72019	53226	LEYLAND	10	127				12,7	0	-38	SAE 1 1/2" 10 C	Double bent (long; R=100 mm)
70783	72033	52851	FIAT	8	218				12,7	-12,4	0	32 UNI 222	Double bent (medium; R=78 mm)
70784	72034	52852	FIAT	8	218				12,7	12,4	0	32 UNI 222	Double bent (medium; R=78 mm)
70785	72035	53890	FIAT	8	190				12,7	0	138,5	32 UNI 222	Double bent (medium; R=78 mm)
70836	72086	52752	LEYLAND	10	203	171			12,7 (L1:w/o)	0	0	SAE 1 1/2" 10 C	Bent
70855	72105	52755	LEYLAND	10	178				12,7	-16	0	SAE 1 1/2" 10 C	Bent
70856	72106	52756	LEYLAND	10	178				12,7	16	0	SAE 1 1/2" 10 C	Bent
70890	72140	52760	MCW	10	165				12,7	-38	0	SAE 1 1/2" 10 C	Bent
70891	72141	52761	MCW	10	165				12,7	38	0	SAE 1 1/2" 10 C	Bent
70894	72144	52752	DANA/MCW	10	165				12,7	0	0	SAE 1 1/2" 10 C	Double bent (medium; R=78 mm)
70895	72145	54104	DENNIS	10	127				12,7	0	0	SAE 1 1/2" 10 C	Bent
70897	72147	52760	DENNIS/MCW	10	140				12,7	-38	0	SAE 1 1/2" 10 C	Bent
70898	72148	52761	DENNIS/MCW	10	140				12,7	38	0	SAE 1 1/2" 10 C	Bent
70899	72149	52752	BEDFORD	10	140				12,7	0	0	SAE 1 1/2" 10 C	Double bent (medium; R=78 mm)
70918	72168	52895	LEYLAND	10	152				12,7	-47,6	22,5	SAE 1 1/2" 10 C	Bent
70929	72179	53226	FODEN	10	127				12,7	0	-38	SAE 1 1/2" 10 C	Double bent (long; R=100 mm)
70930	72180	53226	FODEN	28	127				12,7	0	-38	SAE 1 1/2" 28 C	Double bent (long; R=100 mm)
70931	72181	53226	FODEN	28	140				12,7	0	-38	SAE 1 1/2" 28 C	Double bent (long; R=100 mm)
70939	72189	54104	DANA/MCW	10	108				12,7	0	0	SAE 1 1/2" 10 C	Bent
70940	72190	52752	DANA/MCW/ERF	10	114				12,7	0	0	SAE 1 1/2" 10 C	Bent
70941	72191	54034	LEYLAND	10	120				12,7	-28,5	0	SAE 1 1/2" 10 C	Double bent (long; R=100 mm)
70942	72192	54033	LEYLAND	10	120				12,7	28,5	0	SAE 1 1/2" 10 C	Double bent (long; R=100 mm)
70945	72195	52752	LEYLAND	10	115				12,7	0	0	SAE 1 1/2" 10 C	Double bent (short; R=65 mm)
70949	72199	53226	FODEN	28	127				12,7	0	-38	SAE 1 1/2" 28 C	Double bent (long; R=100 mm)
70964	72214	54085	PEGASO	19	160				14	0	0	A38x34 DIN 5482	Bent
70965	72215	53069	IVECO PEGASO	19	160				14	28,5	0	A38x34 DIN 5482	Bent
70966	72216	53068	IVECO PEGASO	19	160				14	-28,5	0	A38x34 DIN 5482	Bent
70967	72217	52753	IVECO PEGASO	19	200				14	-22	0	A38x34 DIN 5482	Bent
70968	72218	52754	IVECO PEGASO	19	200				14	22	0	A38x34 DIN 5482	Bent
71001	72251	54086	SAE	27	210	180	150	125	14	0	20	BNA 227	Bent
71004	72254	54086	TRAILOR/SAMRO	10	210	180	150	125	14	0	20	SAE 1 1/2" 10 C	Bent
71012	72262	54086	SISU	10	215	181	153	129	14	0	20	SAE 1 1/2" 10 C	Bent
71076	72326	52752	ZF	19	152				14	0	0	A38x34 DIN 5482	Double bent (short; R=65 mm)
71080	72330	54085	Van Hool	19	152				14	0	0	A38x34 DIN 5482	Double bent (short; R=65 mm)
71080	72330	54085	Iveco Turbocity	19	152				14	0	0	A38x34 DIN 5482	Double bent (short; R=65 mm)
71080	72330	54085	Bredamenarinibus	19	152				14	0	0	A38x34 DIN 5482	Double bent (short; R=65 mm)
71083	72333	54104	FODEN	10	140				12,7	0	0	SAE 1 1/2" 10 C	Bent

GTS NO	HALDEX NO.	CASTING	APPLICATION	NO of SPLINE TEETH	L1	L2	L3	BUSHING (mm)	OFFSET	INCLINATION (deg)	SPLINE TYPE	CONTROL ARM
71107	72357	54054	LIAZ	26	150			14	18	-38	40x1.5 CSN 014950.1	Bent
71108	72358	54055	LIAZ	26	150			14	-18	-38	40x1.5 CSN 014950.1	Bent
71111	72361	54104	MCW	10	115			12,7	0	0	SAE 11/2" 10 C	Bent
71112	72362	54104	DENNIS	10	127			12,7	0	0	SAE 11/2" 10 C	Bent
71113	72363	52752	DENNIS	10	140			12,7	0	0	SAE 11/2" 10 C	Bent
71114	72364	54104	DENNIS	10	127			12,7	0	0	SAE 11/2" 10 C	Double bent (medium; R=78 mm)
71117	72367	54104	DENNIS	10	140			12,7	0	0	SAE 11/2" 10 C	Bent
71135	72385	54085	ZF	19	145			14	0	0	A38x34 DIN 5482	Double bent (short; R=65 mm)
71143	72393	54104	DENNIS	10	140			12,7	0	0	SAE 11/2" 10 C	Bent
71151	72401	54034	LEYLAND	10	120			12,7	-28,5	0	SAE 11/2" 10 C	Double bent (long; R=100 mm)
71152	72402	54033	LEYLAND	10	120			12,7	28,5	0	SAE 11/2" 10 C	Double bent (long; R=100 mm)
71153	72403	54034	LEYLAND	10	133			12,7	-28,5	0	SAE 11/2" 10 C	Double bent (long; R=100 mm)
71154	72404	54033	LEYLAND	10	133			12,7	28,5	0	SAE 11/2" 10 C	Double bent (long; R=100 mm)
71155	72405	54104	LEYLAND	10	115			12,7	0	0	SAE 11/2" 10 C	Double bent (short; R=65 mm)
71156	72406	54104	LEYLAND	10	133			12,7	0	0	SAE 11/2" 10 C	Double bent (short; R=65 mm)
71157	72407	54104	LEYLAND	10	140			12,7	0	0	SAE 11/2" 10 C	Double bent (short; R=65 mm)
71158	72408	52752	ENASA	19	180			14	0	0	A38x34 DIN 5482	Double bent (short; R=65 mm)
71158	72408	52752	IVECO PEGASO	10	180			14	0	0	A38x34 DIN 5482	Double bent (short; R=65 mm)
71167	72417	52760	FODEN	10	165			12,7	-38	0	SAE 11/2" 10 C	Double bent (medium; R=78 mm)
71168	72418	52761	FODEN	10	165			12,7	38	0	SAE 11/2" 10 C	Double bent (medium; R=78 mm)
71170	72420	52771	LEYLAND	10	140			12,7	16	22,5	SAE 11/2" 10 C	Bent
71171	72421	52772	LEYLAND	10	140			12,7	-16	22,5	SAE 11/2" 10 C	Bent
71172	72422	52922	LEYLAND	10	165			12,7	0	26	SAE 11/2" 10 C	Bent
71175	72425	54104	DANA	10	140			12,7	0	0	SAE 11/2" 10 C	Bent
71178	72428	54085	SISU	10	145			14	0	0	SAE 11/2" 10 C	Double bent (short; R=65 mm)
71179	72429	54085	SISU	10	145			14	0	0	SAE 11/2" 10 C	Double bent (short; R=65 mm)
71180	72430	52761	STEYR	28	152			12,7	38	0	SAE 11/2" 28 C	Bent
71181	72431	52760	STEYR	28	152			12,7	-38	0	SAE 11/2" 28 C	Bent
71182	72432	52771	LEYLAND	10	155			12,7	16	22,5	SAE 11/2" 10 C	Bent
71183	72433	52772	LEYLAND	10	155			12,7	-16	22,5	SAE 11/2" 10 C	Bent
71189	72439	52771	LEYLAND	10	155			12,7	16	22,5	SAE 11/2" 10 C	Bent
71190	72440	52772	LEYLAND	10	155			12,7	-16	22,5	SAE 11/2" 10 C	Bent
71191	72441	52922	LEYLAND	10	165			12,7	0	26	SAE 11/2" 10 C	Bent
71196	72446	53068	IVECO PEGASO	19	185			14	-28,5	0	A38x34 DIN 5482	Double bent (short; R=65 mm)
71197	72447	53069	IVECO PEGASO	19	180			14	28,5	0	A38x34 DIN 5482	Double bent (short; R=65 mm)
71202	72452	53195	MCW	10	115			12,7	-15	-24	SAE 11/2" 10 C	Bent
71203	72453	53196	MCW	10	115			12,7	15	-24	SAE 11/2" 10 C	Bent
71207	72457	54104	FODEN	10	140			12,7	0	0	SAE 11/2" 10 C	Bent
71211	72461	52753	VAN HOOL	19	150			14	-22	0	A38x34 DIN 5482	Double bent (short; R=65 mm)
71212	72462	52754	VAN HOOL	19	150			14	22	0	A38x34 DIN 5482	Double bent (short; R=65 mm)
71271	72521	53185	SISU	10	145			14	-56	4	SAE 11/2" 10 C	Double bent (long; R=100 mm)
71272	72522	53186	SISU	10	145			14	56	4	SAE 11/2" 10 C	Double bent (long; R=100 mm)
71309	72559	52895	LEYLAND	10	152			12,7	-47,6	22,5	SAE 11/2" 10 C	Bent
71310	72560	52894	LEYLAND	10	152			12,7	47,6	22,5	SAE 11/2" 10 C	Bent
71313	72563	52752	LEYLAND	10	180			12,7	0	0	SAE 11/2" 10 C	Bent
71316	72566	52901	LIAZ	26	200			14	60,3	22,5	40x1.5 CSN 014950.1	Double bent (short; R=65 mm)
71317	72567	52902	LIAZ	26	200			14	-60,3	22,5	40x1.5 CSN 014950.1	Double bent (short; R=65 mm)
71318	72568	54085	FODEN	10	165			12,7	0	0	SAE 11/2" 10 C	Double bent (medium; R=78 mm)

## AUTOMATIC BRAKE ADJUSTER

GTS NO	HALDEX NO.	CASTING	APPLICATION	NO of SPLINE TEETH	L1	L2	L3	L4	L5	BUSHING (mm)	OFFSET	INCLINATION (deg)	SPLINE TYPE	CONTROL ARM
71333	72583	52901	TEMSA	25	145					14	60,3	22,5	JIS B 1602	Double bent (medium; R=78 mm)
71334	72584	52902	TEMSA	25	145					14	-60,3	22,5	JIS B 1602	Double bent (medium; R=78 mm)
71335	72585	53226	TEMSA	25	135					14	0	-38	JIS B 1602	Double bent (medium; R=78 mm)
71338	72588	54085	LEYLAND	10	152					12,7	0	0	SAE 11/2" 10 C	Double bent (long; R=100 mm)
71364	72614	54032	RABA	20	250	225	200	175	150	14	0	20	A40x36 DIN 5482	Double bent (short; R=65 mm)
71368	72618	53068	PEGASO	19	140					14	-28,5	0	A38x34 DIN 5482	Double bent (short; R=65 mm)
71391	72641	54085	ZF	19	152					14	0	0	A38x34 DIN 5482	Double bent (short; R=65 mm)
71391	72641	54085	Iveco Bus 490	19	152					14	0	0	A38x34 DIN 5482	Double bent (short; R=65 mm)
71391	72641	54085	Bredamenarinibus	19	152					14	0	0	A38x34 DIN 5482	Double bent (short; R=65 mm)
71393	72643	54104	STEYR	10	140					12,7	0	0	SAE 11/2" 10 C	Double bent (medium; R=78 mm)
71394	72644	54104	DENNIS	10	140					12,7	0	0	SAE 11/2" 10 C	Double bent (medium; R=78 mm)
71396	72646	53068	VAN HOOL	19	150					14	-28,5	0	A38x34 DIN 5482	Double bent (short; R=65 mm)
71397	72647	53069	VAN HOOL	19	150					14	28,5	0	A38x34 DIN 5482	Double bent (short; R=65 mm)
71438	72688	53878	ZF	19	145					14	56	15	A38x34 DIN 5482	Double bent (short; R=65 mm)
71439	72689	53879	ZF	19	145					14	-56	15	A38x34 DIN 5482	Double bent (short; R=65 mm)
71492	72742	53658	TATRA	36	275					16	-97	0	A30x34 DIN 5481	Double bent (short; R=65 mm)
71493	72743	53659	TATRA	36	275					16	97	0	A30x34 DIN 5481	Double bent (short; R=65 mm)
71500	72750	54085	PEGASO	19	160					14	0	0	A38x34 DIN 5482	Double bent (short; R=65 mm)
71501	72751	52901	SAE	10	180	150				14	60,3	22,5	SAE 11/2" 10 C	Bent
71502	72752	52902	SAE	10	180	150				14	-60,3	22,5	SAE 11/2" 10 C	Bent
71509	72759	52754	TATRA	36	140					14	22	0	A30x34 DIN 5481	Double bent (short; R=65 mm)
71510	72760	52753	TATRA	36	140					14	-22	0	A30x34 DIN 5481	Double bent (short; R=65 mm)
71528	72778	53226	HYUNDAI	10	145					16	0	-38	SAE 11/2" 10 C	Double bent (short; R=65 mm)
71529	72779	53226	HYUNDAI	10	135					16	0	-38	SAE 11/2" 10 C	Double bent (short; R=65 mm)
71552	72802	53068	IVECO PEGASO	19	160					14	-28,5	0	A38x34 DIN 5482	Double bent (short; R=65 mm)
71553	72803	53069	IVECO PEGASO	19	160					14	28,5	0	A38x34 DIN 5482	Double bent (short; R=65 mm)
71554	72804	54085	IVECO PEGASO	19	160					14	0	0	A38x34 DIN 5482	Double bent (short; R=65 mm)
71578	72828	54085	IVECO PEGASO	19	160					14	0	0	A38x34 DIN 5482	Double bent (short; R=65 mm)
71587	72837	53226	SAE	10	178	153				14	0	-38	SAE 11/2" 10 C	Double bent (short; R=65 mm)
71603	72853	54097	IKARUS	20	175	155				14	0	20	A40x36 DIN 5482	Bent
71604	72854	53893	ZF	19	145					14	56	-5	A38x34 DIN 5482	Double bent (short; R=65 mm)
71605	72855	53892	ZF	19	145					14	-56	-5	A38x34 DIN 5482	Double bent (short; R=65 mm)
71606	72856	52901	DAEWOO	25	150					16	60,3	22,5	JIS B 1602	Double bent (short; R=65 mm)
71607	72857	52902	DAEWOO	25	150					16	-60,3	22,5	JIS B 1602	Double bent (short; R=65 mm)
71608	72858	54085	DAEWOO	25	150					16	0	0	JIS B 1602	Double bent (short; R=65 mm)
71614	72864	53226	FODEN	28	140					12,7	0	-38	SAE 11/2" 28 C	Double bent (long; R=100 mm)
71617	72867	52901	LIAZ	26	160					14	60,3	22,5	40x1.5 CSN 014950.1	Double bent (short; R=65 mm)
71618	72868	52902	LIAZ	26	160					14	-60,3	22,5	40x1.5 CSN 014950.1	Double bent (short; R=65 mm)
71619	72869	52901	SAE	10	180	150				14	60,3	22,5	SAE 11/2" 10 C	Double bent (short; R=65 mm)
71620	72870	52902	SAE	10	180	150				14	-60,3	22,5	SAE 11/2" 10 C	Double bent (short; R=65 mm)
71622	72872	53900	ZF	19	145					14	0	37	A38x34 DIN 5482	Double bent (short; R=65 mm)
71671	72921	54077	VAN HOOL	19	152					14	60	-10	A38x34 DIN 5482	Double bent (short; R=65 mm)
71672	72922	54078	VAN HOOL	19	152					14	-60	-10	A38x34 DIN 5482	Double bent (short; R=65 mm)
71678	72928	54085	RABA	20	155	127				14	0	0	A40x36 DIN 5482	Bent
71681	72931	54016	ZF	19	145					14	-63	-20	A38x34 DIN 5482	Double bent (short; R=65 mm)
71682	72932	54017	ZF	19	145					14	63	-20	A38x34 DIN 5482	Double bent (short; R=65 mm)
71687	72937	53185	FODEN/SISU	26	145					14	-56	4	N42x1.5x9H DIN 5480	Double bent (short; R=65 mm)
71688	72938	53186	FODEN/SISU	26	145					14	56	4	N42x1.5x9H DIN 5480	Double bent (short; R=65 mm)

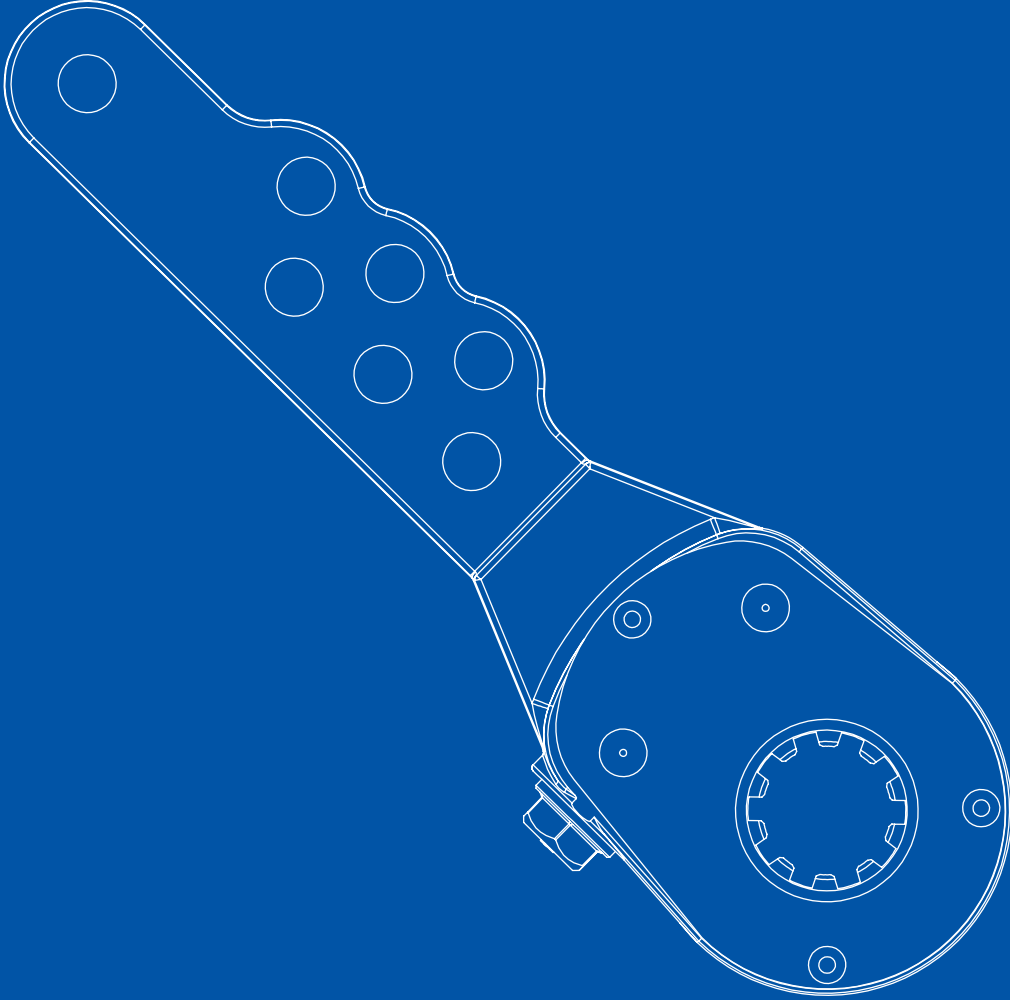
G TSA NO	HALDEX NO.	CASTING	APPLICATION	NO of SPLINE TEETH	L1	L2	L3	L4	L5	L6	BUSHING (mm)	OFFSET	INCLINATION (deg)	SPLINE TYPE	CONTROL ARM
71689	72939	54086	FODEN	28	127						12,7	0	20	SAE 1 1/2" 28 C	Bent
77752	79002	53185	SISU	26	145						14	-56	4	N42x1.5x9H DIN 5480	Double bent (short; R=65 mm)
77753	79003	53186	SISU	26	145						14	56	4	N42x1.5x9H DIN 5480	Double bent (short; R=65 mm)
77754	79004	54086	SMB	10	215	153	129	105			14 (L1: 16)	0	20	SAE 1 1/2" 10 C	Saddle type
77773	79023	54086	TRAILOR	10	210	180	150	125			14	0	20	SAE 1 1/2" 10 C	Saddle type
77806	79056	52752	RABA	20	175						14	0	0	A40x36 DIN 5482	Bent
77812	79062	54104	DENNIS	10	140	115					12,7	0	0	SAE 1 1/2" 10 C	Bent
77815	79065	52755	YORK	10	140						w/o	-16	0	SAE 1 1/2" 10 C	Bent
77816	79066	52756	YORK	10	140						w/o	16	0	SAE 1 1/2" 10 C	Bent
77821	79071	54085	DANA	10	165						12,7	0	0	SAE 1 1/2" 10 C	Double bent (medium; R=78 mm)
77829	79079	53226	RABA	20	175						14	0	-38	A40x36 DIN 5482	Bent
77844	79094	52755	VAN HOOL	19	152						14	-16	0	A38x34 DIN 5482	Double bent (short; R=65 mm)
77845	79095	52756	VAN HOOL	19	152						14	16	0	A38x34 DIN 5482	Double bent (short; R=65 mm)
77851	79101	54092	MAG/NISSAN	25	167						12,7	93,5	0	JIS B 1602	Double bent (short; R=65 mm)
77852	79102	54093	MAG/NISSAN	25	167						12,7	-93,5	0	JIS B 1602	Double bent (short; R=65 mm)
77853	79103	54104	NISSAN	25	125						12,7	0	0	JIS B 1602	Double bent (short; R=65 mm)
77857	79107	53185	RABA	20	145						14	-56	4	A40x36 DIN 5482	Bent
77858	79108	53186	RABA	20	145						14	56	4	A40x36 DIN 5482	Bent
77861	79111	54076	CARDI	8	250	180	165	150	135	120	14	0	20	32 UNI 222	Saddle type
77871	79121	54085	RABA	20	145						14	0	0	A40x36 DIN 5482	Bent
77883	79133	54086	FODEN	28	140						12,7	0	20	SAE 1 1/2" 28 C	Bent
77888	79138	52901	SAE	10	178	153					14	60,3	22,5	SAE 1 1/2" 10 C	Double bent (short; R=65 mm)
77889	79139	52902	SAE	10	178	153					14	-60,3	22,5	SAE 1 1/2" 10 C	Double bent (short; R=65 mm)
77890	79140	52894	SAE	10	178	153					14	47,6	22,5	SAE 1 1/2" 10 C	Double bent (short; R=65 mm)
77891	79141	52895	SAE	10	178	153					14	-47,6	22,5	SAE 1 1/2" 10 C	Double bent (short; R=65 mm)
77892	79142	52760	SAE	10	178	153					14	-38	0	SAE 1 1/2" 10 C	Double bent (short; R=65 mm)
77893	79143	52761	SAE	10	178	153					14	38	0	SAE 1 1/2" 10 C	Double bent (short; R=65 mm)
77894	79144	53068	SAE	10	178	153					14	-28,5	0	SAE 1 1/2" 10 C	Double bent (short; R=65 mm)
77895	79145	53069	SAE	10	178	153					w/o (L1: 14)	28,5	0	SAE 1 1/2" 10 C	Double bent (short; R=65 mm)
77896	79146	52771	SAE	10	178	153					14	16	22,5	SAE 1 1/2" 10 C	Double bent (short; R=65 mm)
77897	79147	52772	SAE	10	178	153					14	-16	22,5	SAE 1 1/2" 10 C	Double bent (short; R=65 mm)
77906	79156	52760	DENNIS	10	165						12,7	-38	0	SAE 1 1/2" 10 C	Double bent (medium; R=78 mm)
77907	79157	52761	DENNIS	10	165						12,7	38	0	SAE 1 1/2" 10 C	Double bent (medium; R=78 mm)
77912	79162	54088	VAN HOOL	10	152						14	45	0	SAE 1 1/2" 10 C	Double bent (short; R=65 mm)
77913	79163	54087	VAN HOOL	10	152						14	-45	0	SAE 1 1/2" 10 C	Double bent (short; R=65 mm)
77915	79165	54088	VAN HOOL	19	152						14	45	0	A38x34 DIN 5482	Double bent (short; R=65 mm)
77916	79166	54087	VAN HOOL	19	152						14	-45	0	A38x34 DIN 5482	Double bent (short; R=65 mm)
77919	79169	52752	FODEN	10	140						12,7	0	0	SAE 1 1/2" 10 C	Bent
77920	79170	53068	DENNIS	10	140						12,7	-28,5	0	SAE 1 1/2" 10 C	Double bent (medium; R=78 mm)
77921	79171	53069	DENNIS	10	140						12,7	28,5	0	SAE 1 1/2" 10 C	Double bent (medium; R=78 mm)
77942	79192	54085	NISSAN	25	152						14	0	0	JIS B 1602	Double bent (short; R=65 mm)
78015	79265	52754	DANA	10	140						12,7	22	0	SAE 1 1/2" 10 C	Double bent (medium; R=78 mm)
78016	79266	52753	DANA	10	140						12,7	-22	0	SAE 1 1/2" 10 C	Double bent (medium; R=78 mm)
78019	79269	53068	GIGANT/SAE	10	165						14	-28,5	0	SAE 1 1/2" 10 C	Double bent (short; R=65 mm)
78020	79270	53069	GIGANT/SAE	10	165						14	28,5	0	SAE 1 1/2" 10 C	Double bent (short; R=65 mm)
78022	79272	52753	CARDI	8	180	155	130				14	-22	0	32 UNI 222	Saddle type
78023	79273	52754	CARDI	8	180	155	130				14	22	0	32 UNI 222	Saddle type
78032	79282	54047	JELTZ	27	135						14	26	0	BNA 227 D3.5	Double bent (short; R=65 mm)



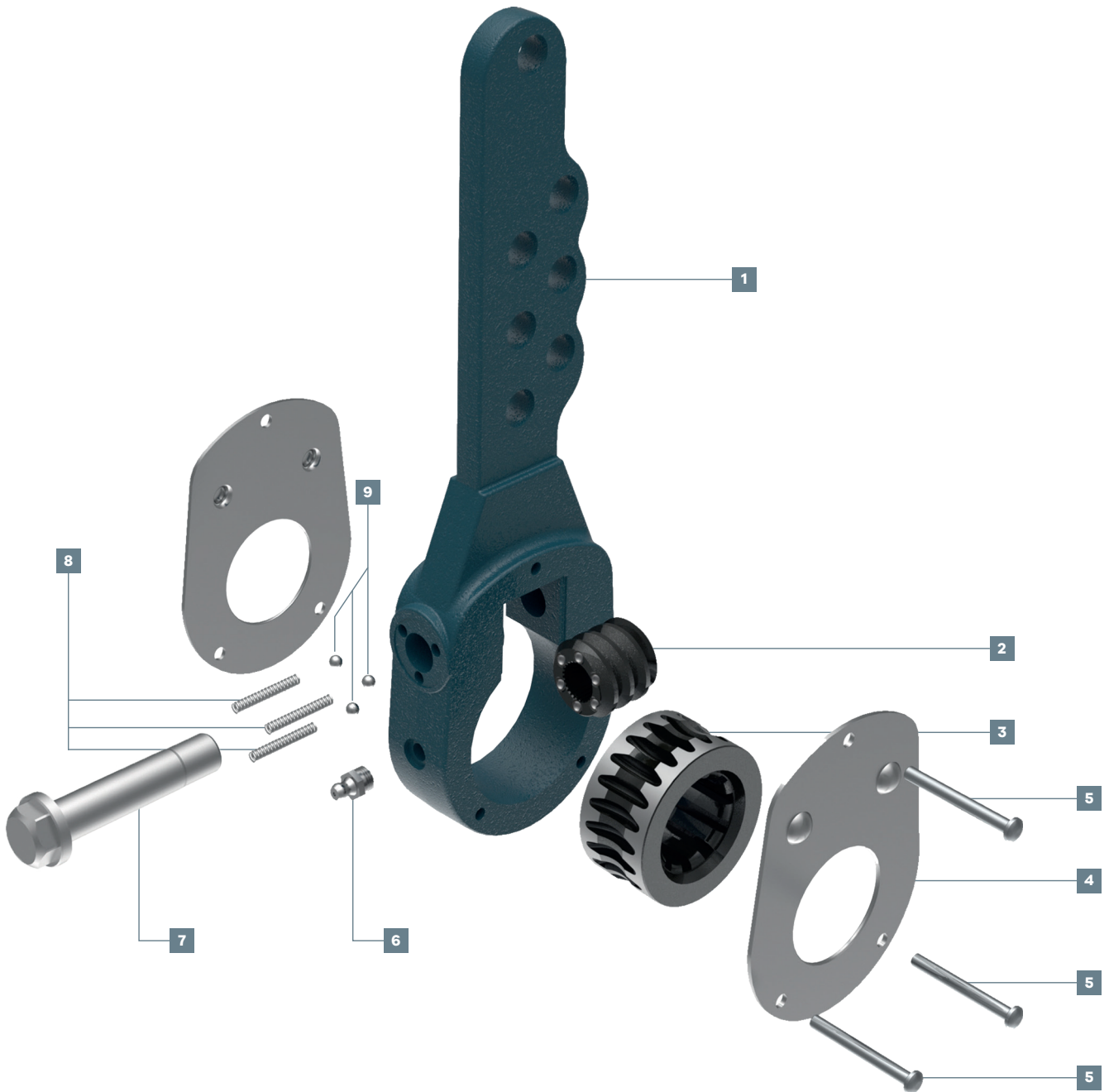
## AUTOMATIC BRAKE ADJUSTER

G TSA NO	HALDEX NO.	CASTING	APPLICATION	NO of SPLINE TEETH	L1	L2	L3	L4	L5	L6	L7	BUSHING (mm)	OFFSET	INCLINATION (deg)	SPLINE TYPE	CONTROL ARM
78033	79283	54046	JELTZ	27	135							14	-26	0	BNA 227 D3.5	Double bent (short; R=65 mm)
78116	79366	52894	VAN HOOL	19	200							14	47,6	22,5	A38x34 DIN 5482	Double bent (short; R=65 mm)
78117	79367	52895	VAN HOOL	19	200							14	-47,6	22,5	A38x34 DIN 5482	Double bent (short; R=65 mm)
78122	79372	54085	SISU	26	145							14	0	0	N42x1.5x9H DIN 5480	Double bent (short; R=65 mm)
78143	79393	54097	SISU	10	155	141	125	106				14	0	20	SAE 1 1/2" 10 C	Saddle type
78144	79394	53717	SISU	10	165							14	-56,2	25	SAE 1 1/2" 10 C	Double bent (long; R=100 mm)
78145	79395	53718	SISU	10	165							14	56,2	25	SAE 1 1/2" 10 C	Double bent (long; R=100 mm)
78146	79396	53049	SISU	26	165							14	-75	0	N42x1.5x9H DIN 5480	Double bent (short; R=65 mm)
78147	79397	53050	SISU	26	165							14	75	0	N42x1.5x9H DIN 5480	Double bent (short; R=65 mm)
78148	79398	54079	SISU	26	180							14	-73	0	N42x1.5x9H DIN 5480	Double bent (short; R=65 mm)
78149	79399	54080	SISU	26	180							14	73	0	N42x1.5x9H DIN 5480	Double bent (short; R=65 mm)
78152	79402	52753	RABA	20	155							14	-22	0	A40x36 DIN 5482	Bent
78153	79403	52754	RABA	20	155							14	22	0	A40x36 DIN 5482	Bent
78157	79407	53717	SISU	26	165							14	-56,2	25	N42x1.5x9H DIN 5480	Double bent (short; R=65 mm)
78158	79408	53718	SISU	26	165							14	56,2	25	N42x1.5x9H DIN 5480	Double bent (short; R=65 mm)
78179	79429	53863	ZF	19	145							14	-25	-30	A38x34 DIN 5482	Double bent (short; R=65 mm)
78180	79430	53864	ZF	19	145							14	25	-30	A38x34 DIN 5482	Double bent (short; R=65 mm)
78211	79461	53226	FODEN	28	140							12,7	0	-38	SAE 1 1/2" 28 C	Double bent (medium; R=78 mm)
78251	79501	54085	SISU	10	165							14	0	0	SAE 1 1/2" 10 C	Double bent (short; R=65 mm)
78260	79510	52760	TATRA	26	175							14	-38	0	40x1.5 CSN 014950.1	Bent
78261	79511	52761	TATRA	26	175							14	38	0	40x1.5 CSN 014950.1	Bent
78292	79542	54097	SAE	10	180	155	140	125	105			14	0	20	SAE 1 1/2" 10 C	Saddle type
78389	79639	53068	SISU	10	165							14	-28,5	0	SAE 1 1/2" 10 C	Double bent (long; R=100 mm)
78390	79640	53069	SISU	10	165							14	28,5	0	SAE 1 1/2" 10 C	Double bent (long; R=100 mm)
78393	79643	54086	SISU	10	215	181	153	129	105			14	0	20	SAE 1 1/2" 10 C	Double bent (short; R=65 mm)
78399	79649	54076	SAE	10	250	180	165	150	135	120	105	14	0	20	SAE 1 1/2" 10 C	Saddle type
78412	79662	53049	SISU	26	165							14	-75	0	N42x1.5x12H DIN 5480	Double bent (short; R=65 mm)
78413	79663	53050	SISU	26	165							14	75	0	N42x1.5x12H DIN 5480	Double bent (short; R=65 mm)
78424	79674	52901	HINO	12	150							12,7	60,3	22,5	JIS D 2001 35x12x2.5	Bent
78425	79675	52902	HINO	12	150							12,7	-60,3	22,5	JIS D 2001 35x12x2.5	Double bent (long; R=100 mm)
78432	79682	53226	FODEN	28	143							14	0	-38	SAE 1 1/2"-28	Double bent (long; R=100 mm)
78859	80109	5475-2	SOUTH AFRICA	10	140							12,7	0	0	SAE 1 1/2"-10	Bent
78876	80126	55027	SAE	10	105	120	135	150	165	180		14	0	20	SAE 1 1/2"-10	Saddle type
70927	72177	53202	NEOPLAN	19	130							14	0	120	A38x34 DIN 5482	Double bent (short; R=65 mm)





# MANUAL BRAKE ADJUSTER



- 1** BODY
- 2** MANUAL WORM
- 3** WORM GEAR
- 4** COVER PLATE
- 5** TUBULAR RIVET
- 6** GREASE NIPPLE
- 7** MANUAL SHAFT
- 8** COIL SPRING
- 9** BEARING

## MANUAL BRAKE ADJUSTER

GTSA NO **G1760**

BPW



**REFERENCE NO**  
100001760

**CASTING**

**OEM NO**  
024490 0517465130

SIDE	AXLE	MODEL
LEFT&RIGHT		

No. of Spline Teeth	L1	L2	L3	L4	L5	L6	L7	BUSHING (mm)	OFFSET	INCLINATION (deg)	OVERALL LENGHT	CONTROL ARM
10	120	135	150	165	180	195	250	w/0-14			272	

GTSA NO **G1721**

BPW



**REFERENCE NO**  
100001721

**CASTING**

**OEM NO**  
024090 0517452610  
4335010290

SIDE	AXLE	MODEL
LEFT&RIGHT		

No. of Spline Teeth	L1	L2	L3	L4	L5	L6	L7	BUSHING (mm)	OFFSET	INCLINATION (deg)	OVERALL LENGHT	CONTROL ARM
10	120	150	180	220	250			w/0-14			272	

GTSA NO **G1021**

BPW



**REFERENCE NO**  
100001021

**CASTING**

**OEM NO**  
024089 0517452340  
4335010060

SIDE	AXLE	MODEL
LEFT&RIGHT		

No. of Spline Teeth	L1	L2	L3	L4	L5	L6	L7	BUSHING (mm)	OFFSET	INCLINATION (deg)	OVERALL LENGHT	CONTROL ARM
10	120	150	180					w/0-14			218	

**MANUAL BRAKE ADJUSTER**

**GTSA NO G7401L** MERCEDES



**REFERENCE NO**  
104507401

**CASTING**

**OEM NO**  
0517454700  
3464201838  
4335065150

SIDE	AXLE	MODEL
LEFT		

**GTSA NO G7401** MERCEDES



**REFERENCE NO**  
104407401

**CASTING**

**OEM NO**  
0517454690  
3464201738  
4335065140

SIDE	AXLE	MODEL
RIGHT		

No. of Spline Teeth	L1	L2	L3	L4	L5	L6	L7	BUSHING (mm)	OFFSET	INCLINATION (deg)	SPLINE TYPE	CONTROL ARM
26	145							w/0-14	-56		161	
26	145							w/0-14	56		161	

**GTSA NO G750** MERCEDES



**REFERENCE NO**

**CASTING**

**OEM NO**  
4665061030  
3454207438

SIDE	AXLE	MODEL
LEFT&RIGHT		

No. of Spline Teeth	L1	L2	L3	L4	L5	L6	L7	BUSHING (mm)	OFFSET	INCLINATION (deg)	SPLINE TYPE	CONTROL ARM
26	145							14	0			

**GTSA NO G850** VOLVO



**REFERENCE NO**

**CASTING**

**OEM NO**

SIDE	AXLE	MODEL
LEFT		

**GTSA NO G851** VOLVO



**REFERENCE NO**

**CASTING**

**OEM NO**

SIDE	AXLE	MODEL
RIGHT		

No. of Spline Teeth	L1	L2	L3	L4	L5	L6	L7	BUSHING (mm)	OFFSET	INCLINATION (deg)	SPLINE TYPE	CONTROL ARM
10	140	165						12.7	38		192	
10	140	165						12.7	-38		192	

# MANUAL BRAKE ADJUSTER

**GTSA NO G950** SCANIA



**REFERENCE NO**

**CASTING**

**OEM NO**  
1448114

SIDE	AXLE	MODEL
LEFT		

No. of Spline Teeth	L1	L2	L3	L4	L5	L6	L7	BUSHING (mm)	OFFSET	INCLINATION (deg)	SPLINE TYPE	CONTROL ARM
10	165							16	25			
10	165							16	25			

**GTSA NO G951** SCANIA



**REFERENCE NO**

**CASTING**

**OEM NO**  
1448115

SIDE	AXLE	MODEL
RIGHT		

**GTSA NO G960** SCANIA



**REFERENCE NO**

**CASTING**

**OEM NO**  
1448113 278734  
1865746

SIDE	AXLE	MODEL
LEFT&RIGHT		

No. of Spline Teeth	L1	L2	L3	L4	L5	L6	L7	BUSHING (mm)	OFFSET	INCLINATION (deg)	SPLINE TYPE	CONTROL ARM
10	165							16	0			

**GTSA NO G980** SCANIA



**REFERENCE NO**

**CASTING**

**OEM NO**  
276517

SIDE	AXLE	MODEL
LEFT		

**GTSA NO G981** SCANIA



**REFERENCE NO**

**CASTING**

**OEM NO**  
276518

SIDE	AXLE	MODEL
RIGHT		

No. of Spline Teeth	L1	L2	L3	L4	L5	L6	L7	BUSHING (mm)	OFFSET	INCLINATION (deg)	SPLINE TYPE	CONTROL ARM
10	165							16	50.8			
10	165							16	50.8			

All manufacturer names, trademarks, product descriptions contained in this product catalog are for reference only. All reference numbers are for comparison purposes.

**MANUAL BRAKE ADJUSTER**

**GTSA NO G982** SCANIA



**REFERENCE NO**

**CASTING**

**OEM NO**  
1448120

**GTSA NO G983** SCANIA



**REFERENCE NO**

**CASTING**

**OEM NO**  
1448121

SIDE	AXLE	MODEL
LEFT		

SIDE	AXLE	MODEL
RIGHT		

No. of Spline Teeth	L1	L2	L3	L4	L5	L6	L7	BUSHING (mm)	OFFSET	INCLINATION (deg)	SPLINE TYPE	CONTROL ARM
10	165							16	65			
10	165							16	65			

**GTSA NO G1047** ROR



**REFERENCE NO**

100101047

**CASTING**

**OEM NO**  
06310070  
106101047  
2100200012

SIDE	AXLE	MODEL
LEFT&RIGHT		

No. of Spline Teeth	L1	L2	L3	L4	L5	L6	L7	BUSHING (mm)	OFFSET	INCLINATION (deg)	SPLINE TYPE	CONTROL ARM
10	127	152	178	203				w/0-14			218	

**GTSA NO G7001** ROR/TRAILOR



**REFERENCE NO**

**CASTING**

**OEM NO**  
21219681 CF352196

SIDE	AXLE	MODEL
LEFT&RIGHT		

No. of Spline Teeth	L1	L2	L3	L4	L5	L6	L7	BUSHING (mm)	OFFSET	INCLINATION (deg)	SPLINE TYPE	CONTROL ARM
10	127	152	178	203				14 (E:w/o-16)	0		218	



# MANUAL BRAKE ADJUSTER

**G TSA NO** **G4750** **FRUEHAUF**



**REFERENCE NO**  
100014750

**CASTING**

**OEM NO**  
106014750

SIDE	AXLE	MODEL
LEFT&RIGHT		

No. of Spline Teeth	L1	L2	L3	L4	L5	L6	L7	BUSHING (mm)	OFFSET	INCLINATION (deg)	SPLINE TYPE	CONTROL ARM
37	105	130	150	180	215			w/O-14 (E:w/o-18)			233	

**G TSA NO** **G1743** **SAUER**



**REFERENCE NO**  
100101743

**CASTING**

**OEM NO**  
106101743  
2100200703

SIDE	AXLE	MODEL
LEFT&RIGHT		

No. of Spline Teeth	L1	L2	L3	L4	L5	L6	L7	BUSHING (mm)	OFFSET	INCLINATION (deg)	SPLINE TYPE	CONTROL ARM
10	127	152	178	203	230			w/O-14 (E:w/o-18)			272	

**G TSA NO** **G66830** **RENAULT**



**REFERENCE NO**

**CASTING**

**OEM NO**  
5000716830

SIDE	AXLE	MODEL
LEFT		

**G TSA NO** **G66831** **RENAULT**



**REFERENCE NO**

**CASTING**

**OEM NO**  
5000716831

SIDE	AXLE	MODEL
RIGHT		

No. of Spline Teeth	L1	L2	L3	L4	L5	L6	L7	BUSHING (mm)	OFFSET	INCLINATION (deg)	SPLINE TYPE	CONTROL ARM
27												
27												

All manufacturer names, trademarks, product descriptions contained in this product catalog are for reference only. All reference numbers are for comparison purposes.

**MANUAL BRAKE ADJUSTER**

GTSA NO **G994** HOWO



**REFERENCE NO**

**CASTING**

**OEM NO**  
WG9100340056

GTSA NO **G995** HOWO



**REFERENCE NO**

**CASTING**

**OEM NO**  
WG9100340057

SIDE	AXLE	MODEL
LEFT		

SIDE	AXLE	MODEL
RIGHT		

No. of Spline Teeth	L1	L2	L3	L4	L5	L6	L7	BUSHING (mm)	OFFSET	INCLINATION (deg)	SPLINE TYPE	CONTROL ARM
19	145							w/0--14	56		161	
19	145							w/0--14	-56		161	

## MANUAL BRAKE ADJUSTER

GTSA NO	HALDEX NO.	TYPE	APPLICATION	NO of SPLINE TEETH	A	B	C	D	E	F	G	OFFSET	BUSHING (mm)	OVERALL LENGTH
G0001	103 010 001	Straight		10	120	135	150	165	180	195	250		w/o-14	272
G0001F	103 020 001	Offset		10	140							56	14	161
G0001K	102 060 001	Straight	ROR/TRAILOR	10	5"	6"	7"	8"					1/2"	218
G0031	102 060 031	Straight	DAF/ROR	10	4,5"	5,5"	6,5"	7,5"					1/2"	218
G0291	102 060 291	Straight		10	120	140	200						1/2"	218
G1001	103 011 001	Straight		10	140	165							14	218
G1001Y	103 021 001	Offset		10	140							-56	14	161
G1003	100 101 003	Straight		10	127	152	178	203					w/o-16	218
G1006	100 101 006	Straight		10	145								14	161
G1007	100 101 007	Straight		10	152	178							16	218
G1008	100 101 008	Straight	ROR/TRAILOR	10	127	152	178	203					14	218
G1009	100 101 009	Straight		10	140								1/2"	156
G1023	100 001 023	Straight		10	140	165							w/o-1/2"	218
G1024	100 401 204	Offset	DAF	10	140							38	14	156
G1024L	100 501 204	Offset	DAF	10	140							-38	14	156
G1025	100 001 025	Straight	BPW	10	150	170	190						w/o-14	218
G1027	100 001 027	Straight	ROR/TRAILOR	10	127	152	178	203					w/o-14	218
G1030	100 001 030	Straight	SAE	10	125	150	175	200					w/o-14	218
G1041	100 101 041	Straight	BPW/ROR	10	120	150	180						w/o-14	218
G1042	100 101 042	Straight	ROR/TRAILOR	10	127	152	178	203					w/o-1/2"	218
G1045	100 101 045	Straight		10	150	170	190						w/o-14	218
G1051	104 401 051	Offset	VOLVO	10	152							38	w/o-1/2"	200
G1051L	104 501 051	Offset	VOLVO / DAF	10	152							-38	w/o-1/2"	200
G1053	104 401 053	Offset	VOLVO	10	140	165						38	w/o-1/2"	200
G1053L	104 501 053	Offset	VOLVO	10	140	165						-38	w/o-1/2"	200
G1070	100 101 070	Straight	ROR	10	127	152	178	203					14	218
G1071	100 101 071	Straight	ROR	10	114	140	165	191					14	218
G1072	100 101 072	Straight	ROR	10	127	152	178	203					1/2"	218
G1122	100 001 122	Straight		10	120	150	180	200	230	260	290		w/o-14 (G:w/o-17)	310
G1125	100 001 125	Straight	BPW	10	120	150	180	200	230	260	290		w/o-14	310
G1128	100 001 128	Straight		10	175	230	260	290					w/o-14 (A:w/o-22)	310
G1145	100 101 145	Straight		10	120	150	180	200	230	260	290		w/o-14	310
G1201	104 401 201	Offset	VOLVO	10	140							38	w/o-14	156
G1201L	104 501 201	Offset	VOLVO	10	140							-38	w/o-14	156
G1364	100 101 364	Straight	DAF	10	140								14	156
G1365	100 101 365	Straight		10	140								w/o-22	163
G1366	100 101 366	Straight		10	165								14	181
G1367	100 101 367	Straight		10	140								14	163
G1401	104 401 401	Offset		10	145							-56	14	161
G1401L	104 501 401	Offset		10	145							56	14	161
G1741	100 101 741	Straight	ROR	10	120	150	180	220	250				w/o-14	272
G2001	102 172 001	Straight	ROR/TRAILOR	10	127	152	178	203					14	218
G2001	103 012 001	Straight		10	127	152	178	220					w/o-14(D:17)	272
G2031	102 172 031	Straight	ROR	10	115	140	165	190					14	218
G2163	100 002 163	Straight	KASSBOHRER	37	120	150	180	200	230	260	290		w/o-14	310
G2166	100 002 166	Straight	KASSBOHRER	37	120	150	180	290					w/o-14(D:w/o-18)	310
G2167	100 002 167	Straight		37	120	135	150	165	180	290			w/o-14(F:w/o-18)	310
G2291	102 922 291	Straight		10	120	140	200						w/o-14(C:w/o-16)	218

All manufacturer names, trademarks, product descriptions contained in this product catalog are for reference only. All reference numbers are for comparison purposes.

GTSA NO	HALDEX NO.	TYPE	APPLICATION	NO of SPLINE TEETH	A	B	C	D	E	F	G	OFFSET	BUSHING [mm]	OVERALL LENGTH
G2345	100 012 345	Straight		39	105	125	150	170	190				w/o-14	218
G2346	100 012 346	Straight		39	170	190							w/o-14	218
G2568	100 002 568	Straight		37	120	150	180	230					w/o-14[D:w/o-18]	246
G2901	100 012 901	Straight		39	105	125	150						w/o-14	168
G2911	100 012 911	Straight		39	105	125	150						w/o-14	170
G3001	103 003 001	Straight		10	5"	6"	7"	8"	10"				1/2"	310
G3001 D	103 013 001	Straight		10	5"	6"	7"	8"					w/o-17	218
G3341	102 923 341	Straight		10	105	130	200						w/o-14[C:w/o-16]	218
G3749	100 213 749	Straight	TITAN	27	170	210	240	260					w/o-14	272
G3749 D	100 313 749	Straight	TITAN	27	170	210	240	260					w/o-14	272
G4001	103 004 001	Straight		8	120	150	180	220	250				w/o-14	272
G4001 D	103 014 001	Straight		10	127	152	178	203	248				w/o-14[E:18]	272
G4051	KN44051	Straight	MERITOR	28	5"	6"							1/2"	170
G4061	KN44061	Straight	MERITOR	28	5,5"	6,5"							1/2"	195
G4075	100 114 075	Straight	PROPAR/FRUEHAUF	37	105	130	150	180	206				w/o-14[E:w/o-16]	218
G4281	102 904 281	Straight		10	6-25"								1/2"	181
G4402	104 414 402	Offset		37	145							-56	1/2"	161
G4402	104 514 402	Offset		37	145							56	1/2"	161
G4753	100 014 753	Straight	TRAILOR	37	105	130	150	180	215				w/o-14[E:w/o-16]	233
G5001	103 005 001	Straight		8	126	148	178						w/o-14	218
G5111	102 925 111	Straight		10	140								1/2"	165
G5271	102 315 271	Straight		10	105	130	150	200					w/o-14	218
G5291	102 315 291	Straight		10	120	140	200						w/o-14	218
G5341	102 315 341	Straight		10	105	130	200						w/o-14	218
G5394	102 925 394	Straight		10	127								1/2"	165
G5921	100 215 921	Straight	COLAERT	27	125	150	175	200					w/o-14	218
G5921H	100 315 921	Straight	COLAERT	27	125	150	175	200					w/o-14	218
G6001	102 066 001	Straight	TRAILOR	37	5"	6"	7"	8"					1/2"	218
G6001S	103 006 001	Straight	ROR/TRAILOR	10	5"	6"	7"	8"					1/2"	218
G6001Z	103 016 001	Straight		20	150	175	200	225	250				w/o-14	272
G6005	100 106 005	Straight		19	122								w/o-14	140
G6170	100 016 170	Straight		8	152	192	230	260	290				w/o-14[A:w/o-8]	310
G6401	104 406 401	Offset		19	145							-56	w/o-14	161
G6401L	104 506 401	Offset		19	145							56	w/o-14	161
G7001	103 007 001	Straight	ROR/TRAILOR	10	127	152	178	203					14	218
G7001 D	103 017 001	Straight		10	105	129	153	181	215				w/o-14[E:16]	233
G8001	103 018 001	Straight	D-C	10	105	129	151	181	215				w/o-14[E:16]	233
G9001	103 009 001	Straight	D-C	37	105	130	150	215					1/2"[D:16]	233
G9001	103 019 001	Straight		37	105	129	151	181	215				w/o-14[E:16]	233
G970	0E218684	Offset	SCANIA	10	165							0		

# **CROSS REFERENCES**

REFERENCE	HALDEX NO.	GTSA NO.	VEHICLE
2275	79005	<b>77755</b>	SAF
3308	72948	<b>71698</b>	SAF
0067148S1	72019	<b>70769</b>	LEYLAND
8671	80019	<b>78769</b>	BPW
9197	79183	<b>77933</b>	ROR
92162	100101366	<b>G1366</b>	-
92163	100101367	<b>G1367</b>	-
92419	72532	<b>71282</b>	DAF
92420	72533	<b>71283</b>	DAF
97775	72680	<b>71430</b>	DAF
997774	72679	<b>71429</b>	DAF
1003393	100101047	<b>G1047</b>	ROR
14265271135	72416	<b>71166</b>	KASSBOHRER
159556	72523	<b>71273</b>	DAF
159557	72524	<b>71274</b>	DAF
159558	72525	<b>71275</b>	DAF
159559	72526	<b>71276</b>	DAF
159560	72530	<b>71280</b>	DAF
159561	72542	<b>71292</b>	DAF
159562	72543	<b>71293</b>	DAF
159563	72544	<b>71294</b>	DAF
159564	72545	<b>71295</b>	DAF
159565	72535	<b>71285</b>	DAF
159569	72546	<b>71296</b>	DAF
159576	72547	<b>71297</b>	DAF
159577	72548	<b>71298</b>	DAF
159578	72553	<b>71303</b>	DAF
159587	72536	<b>71286</b>	DAF
159588	72537	<b>71287</b>	DAF
159589	72538	<b>71288</b>	DAF
159590	72539	<b>71289</b>	DAF
159591	72540	<b>71290</b>	DAF
159592	72541	<b>71291</b>	DAF
1613200	104507401	<b>G7401L</b>	MERCEDES
1613300	104407401	<b>G7401</b>	MERCEDES
24089	100001021	<b>G1021</b>	BPW
24090	100001721	<b>G1721</b>	BPW
24490	100001760	<b>G1760</b>	BPW
2828800	102925394	<b>G5394</b>	-
28500	100101364	<b>G1364</b>	DAF
28700	104401201	<b>G1201</b>	VOLVO
28800	104501201	<b>G1201L</b>	VOLVO
3884202	70833	<b>69583</b>	VOLVO
3884204	70832	<b>69582</b>	VOLVO
501205935	72326	<b>71076</b>	ZF
501206318	72385	<b>71135</b>	ZF
501207555	72641	<b>71391</b>	ZF / IVECO BUS
501309389	72203	<b>70953</b>	ZF
501309398	72203	<b>70953</b>	ZF

REFERENCE	HALDEX NO.	GTSA NO.	VEHICLE
501314043	72872	<b>71622</b>	ZF
501314349	72931	<b>71681</b>	ZF
501314350	72932	<b>71682</b>	ZF
501314479	72688	<b>71438</b>	ZF
501314480	72689	<b>71439</b>	ZF
501317229	79430	<b>78180</b>	ZF
501317230	79429	<b>78179</b>	ZF
501317231	79430	<b>78180</b>	ZF
0501317231C	79430	<b>78180</b>	ZF
517452100	100101041	<b>G1041</b>	BPW / ROR
517452200	100001125	<b>G1125</b>	BPW
517452300	100001128	<b>G1128</b>	-
517452340	100001021	<b>G1021</b>	BPW
517452610	100001721	<b>G1721</b>	BPW
517452800	100001025	<b>G1025</b>	BPW
517454690	104407401	<b>G7401</b>	MERCEDES
517454700	104507401	<b>G7401L</b>	MERCEDES
517456710	72877	<b>71627</b>	BPW
517456720	72878	<b>71628</b>	BPW
517456810	72885	<b>71635</b>	BPW
517456820	72884	<b>71634</b>	BPW
517465130	100001760	<b>G1760</b>	BPW
517482020	72875	<b>71625</b>	BPW
517482021	72875	<b>71625</b>	BPW
517482022	72875	<b>71625</b>	BPW
517482030	72876	<b>71626</b>	BPW
517482031	72876	<b>71626</b>	BPW
517482032	72876	<b>71626</b>	BPW
517482091	72883	<b>71633</b>	BPW
517482092	72883	<b>71633</b>	BPW
517482110	72645	<b>71395</b>	SAF / BPW
517482112	72645	<b>71395</b>	SAF / BPW
517482120	72876	<b>71626</b>	BPW
517482122	72876	<b>71626</b>	BPW
517482130	72883	<b>71633</b>	BPW
517482132	72883	<b>71633</b>	BPW
517482140	72876	<b>71626</b>	BPW
517482142	72876	<b>71626</b>	BPW
517482200	72883	<b>71633</b>	BPW
517482202	72883	<b>71633</b>	BPW
517482210	72875	<b>71625</b>	BPW
517482212	72875	<b>71625</b>	BPW
517482220	72875	<b>71625</b>	BPW
517482222	72875	<b>71625</b>	BPW
517482240	72876	<b>71626</b>	BPW
517482242	72876	<b>71626</b>	BPW
517482260	72883	<b>71633</b>	BPW
517482262	72883	<b>71633</b>	BPW
517482310	72876	<b>71626</b>	BPW
517482312	72876	<b>71626</b>	BPW

## CROSS REFERENCE

REFERENCE	HALDEX NO.	GTSA NO.	VEHICLE
517482320	72883	<b>71633</b>	BPW
517482322	72883	<b>71633</b>	BPW
517482400	72883	<b>71633</b>	BPW
517482402	72883	<b>71633</b>	BPW
517482430	72883	<b>71633</b>	BPW
517482432	72883	<b>71633</b>	BPW
517482450	72883	<b>71633</b>	BPW
517482452	72883	<b>71633</b>	BPW
517482470	72876	<b>71626</b>	BPW
517482472	72876	<b>71626</b>	BPW
517482490	72875	<b>71625</b>	BPW
517482492	72875	<b>71625</b>	BPW
517482562	72876	<b>71626</b>	BPW
517482632	72875	<b>71625</b>	BPW
517482633	72875	<b>71625</b>	BPW
517482642	72883	<b>71633</b>	BPW
517482672	72875	<b>71625</b>	BPW
517482742	72875	<b>71625</b>	BPW
517482802	72883	<b>71633</b>	BPW
517490200	80009	<b>78759</b>	MERCEDES
517490210	80001	<b>78751</b>	MERCEDES
517496630	72173	<b>70923</b>	MERCEDES
537537	72558	<b>71308</b>	DAF
537538	72534	<b>71284</b>	DAF
538470	72586	<b>71336</b>	DAF
538471	72587	<b>71337</b>	DAF
557482021	72875	<b>71625</b>	BPW
557482031	72876	<b>71626</b>	BPW
557482121	72875	<b>71625</b>	BPW
557482190	72875	<b>71625</b>	BPW
557482200	72876	<b>71626</b>	BPW
557482220	72875	<b>71625</b>	BPW
557482270	72876	<b>71626</b>	BPW
557482430	72875	<b>71625</b>	BPW
557482432	72875	<b>71625</b>	BPW
557482440	72876	<b>71626</b>	BPW
557482442	72876	<b>71626</b>	BPW
557482552	72875	<b>71625</b>	BPW
557482592	72876	<b>71626</b>	BPW
557482652	72875	<b>71625</b>	BPW
557482672	72876	<b>71626</b>	BPW
557482682	72875	<b>71625</b>	BPW
557482872	72875	<b>71625</b>	BPW
557482873	80019	<b>78769</b>	BPW
557482932	72875	<b>71625</b>	BPW
5640700	100002163	<b>G2163</b>	KASSBOHRER
6310024	79013	<b>77763</b>	RENAULT
6310025	79014	<b>77764</b>	RENAULT
6310030	79022	<b>77772</b>	FRUEHAUF
6310070	100101047	<b>G1047</b>	ROR

REFERENCE	HALDEX NO.	GTSA NO.	VEHICLE
658095	100101365	<b>G1365</b>	-
6642300	100001025	<b>G1025</b>	BPW
70112507	70706	<b>69456</b>	MERCEDES
70114304	70772	<b>69522</b>	MERCEDES
70114305	70771	<b>69521</b>	MERCEDES
70265600	72661	<b>71411</b>	SCANIA
70276000	72203	<b>70953</b>	ZF
70276010	72688	<b>71438</b>	ZF
70276011	72689	<b>71439</b>	ZF
70276100	72204	<b>70954</b>	ZF
70277000	70720	<b>69470</b>	KASSBOHRER
740321	72608	<b>71358</b>	DAF
740322	72609	<b>71359</b>	DAF
755247	72695	<b>71445</b>	DAF
755248	72696	<b>71446</b>	DAF
755616	72704	<b>71454</b>	DAF
755617	72705	<b>71455</b>	DAF
80110802	70775	<b>69525</b>	MERCEDES
80250000	72177	<b>70927</b>	NEOPLAN
08164954Z	70880	<b>69630</b>	RENAULT
08164956B	70609	<b>69359</b>	RENAULT
08164958D	70608	<b>69358</b>	RENAULT
08166250H	79150	<b>77900</b>	RENAULT
08166251J	79151	<b>77901</b>	RENAULT
08166252K	79152	<b>77902</b>	RENAULT
08166253L	79153	<b>77903</b>	RENAULT
82460300	72660	<b>71410</b>	SCANIA
82460820	72931	<b>71681</b>	ZF
82460830	72932	<b>71682</b>	ZF
834984	72151	<b>70901</b>	DAF
9002113	79149	<b>77899</b>	SAE
9002209	79138	<b>77888</b>	SAE
9002210	79139	<b>77889</b>	SAE
9002265	79140	<b>77890</b>	SAE
9002266	79141	<b>77891</b>	SAE
9012061	72837	<b>71587</b>	SAE
9319013	100001021	<b>G1021</b>	BPW
9319035	79649	<b>78399</b>	SAE
9319299	80126	<b>78876</b>	SAE
97774	72679	<b>71429</b>	DAF
97775	72680	<b>71430</b>	DAF
1003393	100101047	<b>G1047</b>	ROR
1004000	79223	<b>77973</b>	MAN
1004001	79226	<b>77976</b>	MAN
101401201	104401051	<b>G1051</b>	VOLVO
102061241	103003001	<b>G3001</b>	-
1,02103E+12	12312	<b>11062</b>	JELTZ
1,02103E+12	12311	<b>11061</b>	JELTZ
1,02103E+12	12313	<b>11063</b>	JELTZ
1,02103E+12	12314	<b>11064</b>	JELTZ

All manufacturer names, trademarks, product descriptions contained in this product catalog are for reference only. All reference numbers are for comparison purposes.

REFERENCE	HALDEX NO.	GTSA NO.	VEHICLE
1,02103E+12	79283	<b>78033</b>	JELTZ
1,02103E+12	79282	<b>78032</b>	JELTZ
10274	72417	<b>71167</b>	FODEN
10275	72418	<b>71168</b>	FODEN
10315	72053	<b>70803</b>	SAF / BPW
1042976	72425	<b>71175</b>	DANA
1042982	72393	<b>71143</b>	DENNIS
104401052	104401053	<b>G1053</b>	VOLVO
104501052	104501053	<b>G1053L</b>	VOLVO
105002001	79022	<b>77772</b>	FRUEHAUF
105003001	79004	<b>77754</b>	SMB
105005001	72758	<b>71508</b>	KASSBOHRER
105006001	72524	<b>71274</b>	DAF
105007001	72523	<b>71273</b>	DAF
105008001	72530	<b>71280</b>	DAF
105010001	79004	<b>77754</b>	SMB
105011001	79022	<b>77772</b>	FRUEHAUF
105012001	72875	<b>71625</b>	BPW
105012011	72875	<b>71625</b>	BPW
105012111	72875	<b>71625</b>	BPW
105013001	72645	<b>71395</b>	SAF / BPW
105015001	72538	<b>71288</b>	DAF
105016001	72539	<b>71289</b>	DAF
105017011	72788	<b>71538</b>	ROR
105018021	72948	<b>71698</b>	SAF
105019001	72876	<b>71626</b>	BPW
105024001	70949	<b>69699</b>	SAF
105024111	70949	<b>69699</b>	SAF
105031011	72788	<b>71538</b>	ROR
105031111	79619	<b>78369</b>	ROR
10508	80011	<b>78761</b>	MERCEDES
10509	80010	<b>78760</b>	MERCEDES
10516	72054	<b>70804</b>	MERCEDES
10517	72055	<b>70805</b>	MERCEDES
10544	72039	<b>70789</b>	MERCEDES
10545	72038	<b>70788</b>	MERCEDES
10547	72878	<b>71628</b>	BPW
10548	72877	<b>71627</b>	BPW
10551437	79162	<b>77912</b>	VAN HOOL
10551439	79163	<b>77913</b>	VAN HOOL
10556832	79094	<b>77844</b>	VAN HOOL
10562	72884	<b>71634</b>	BPW
10563	72885	<b>71635</b>	BPW
10567742	79095	<b>77845</b>	VAN HOOL
106001021	100001021	<b>G1021</b>	BPW
106001025	100001025	<b>G1025</b>	BPW
106001125	100001125	<b>G1125</b>	BPW
106001721	100001721	<b>G1721</b>	BPW
106006001	103006001	<b>G6001S</b>	ROR / TRAILOR
106007001	100101047	<b>G1047</b>	ROR

REFERENCE	HALDEX NO.	GTSA NO.	VEHICLE
106014750	100014750	<b>G4750</b>	FRUEHAUF
106014753	100014753	<b>G4753</b>	TRAILOR
106060001	102060001	<b>G0001K</b>	ROR / TRAILOR
106062201	102062201	<b>G2201</b>	TRAILOR
106066001	102066001	<b>G6001</b>	TRAILOR
106101041	100101041	<b>G1041</b>	BPW / ROR
106101042	100101042	<b>G1042</b>	ROR / TRAILOR
106101047	100101047	<b>G1047</b>	ROR
106101743	100101743	<b>G1743</b>	SAUER
10613835	72875	<b>71625</b>	BPW
106172001	102172001	<b>G2001</b>	ROR / TRAILOR
10622076	79619	<b>78369</b>	ROR
106407401	104407401	<b>G7401</b>	MERCEDES
10643	80008	<b>78758</b>	MERCEDES
10644	80009	<b>78759</b>	MERCEDES
106507401	104507401	<b>G7401L</b>	MERCEDES
10717	70576	<b>69326</b>	ROR
10729	72253	<b>71003</b>	BPW
10772	72260	<b>71010</b>	ROR
10886663	70627	<b>69377</b>	LEYLAND
10889926	70626	<b>69376</b>	LEYLAND
10889962	70626	<b>69376</b>	LEYLAND
10889963	70627	<b>69377</b>	LEYLAND
10891012	70634	<b>69384</b>	LEYLAND
10901188	70624	<b>69374</b>	LEYLAND
10901199	70583	<b>69333</b>	LEYLAND
10901200	70582	<b>69332</b>	LEYLAND
10907244	70510	<b>69260</b>	LEYLAND
10907245	70511	<b>69261</b>	LEYLAND
10907246	70512	<b>69262</b>	LEYLAND
10913	79040	<b>77790</b>	KASSBOHRER
10914	79041	<b>77791</b>	KASSBOHRER
10956	72370	<b>71120</b>	KASSBOHRER
10957	72371	<b>71121</b>	KASSBOHRER
10982	79195	<b>77945</b>	MAN
10983	79196	<b>77946</b>	MAN
10991	72554	<b>71304</b>	SAF
11013281	72203	<b>70953</b>	ZF
11013284	72688	<b>71438</b>	ZF
11013285	72689	<b>71439</b>	ZF
11015752	72931	<b>71681</b>	ZF
11049395	72517	<b>71267</b>	VOLVO
1108061	79368	<b>78118</b>	SCANIA
1108062	79369	<b>78119</b>	SCANIA
1112829	72663	<b>71413</b>	SCANIA
1112830	72664	<b>71414</b>	SCANIA
1112831	72662	<b>71412</b>	SCANIA
1112832	72654	<b>71404</b>	SCANIA
1112833	72660	<b>71410</b>	SCANIA
1112834	72661	<b>71411</b>	SCANIA

All manufacturer names, trademarks, product descriptions contained in this product catalog are for reference only. All reference numbers are for comparison purposes.



## CROSS REFERENCE

REFERENCE	HALDEX NO.	GTSA NO.	VEHICLE
1112835	72666	<b>71416</b>	SCANIA
1112836	72665	<b>71415</b>	SCANIA
1112837	79347	<b>78097</b>	SCANIA
1112838	79348	<b>78098</b>	SCANIA
1112839	72825	<b>71575</b>	SCANIA
1112840	72826	<b>71576</b>	SCANIA
1112841	72654	<b>71404</b>	SCANIA
1134293	72717	<b>71467</b>	VOLVO
1134294	72718	<b>71468</b>	VOLVO
1134295	72715	<b>71465</b>	VOLVO
1134296	72716	<b>71466</b>	VOLVO
1134297	72713	<b>71463</b>	VOLVO
1134298	72714	<b>71464</b>	VOLVO
1134451	72719	<b>71469</b>	VOLVO
1134452	72720	<b>71470</b>	VOLVO
1134829	72721	<b>71471</b>	VOLVO
1134830	72722	<b>71472</b>	VOLVO
1135004	72667	<b>71417</b>	VOLVO
1135394	72906	<b>71656</b>	VOLVO
1135395	72907	<b>71657</b>	VOLVO
1136430	72915	<b>71665</b>	VOLVO
1136431	72916	<b>71666</b>	VOLVO
1136432	72723	<b>71473</b>	VOLVO
1136433	72724	<b>71474</b>	VOLVO
1137064	72929	<b>71679</b>	ZF
1137065	72930	<b>71680</b>	ZF
1186524	102172001	<b>G2001</b>	ROR / TRAILOR
11899	79005	<b>77755</b>	SAF
1194362	102172001	<b>G2001</b>	ROR / TRAILOR
119506	70945	<b>69695</b>	LEYLAND
1195316	72944	<b>71694</b>	VOLVO
1195461	72782	<b>71532</b>	VOLVO
1195462	72783	<b>71533</b>	VOLVO
1196321	72678	<b>71428</b>	VOLVO
1196322	72726	<b>71476</b>	VOLVO
1197965	72784	<b>71534</b>	VOLVO
1197966	72785	<b>71535</b>	VOLVO
12103554	72538	<b>71288</b>	DAF
12103631	72539	<b>71289</b>	DAF
12137	72879	<b>71629</b>	BPW
12138	72880	<b>71630</b>	BPW
12159	72688	<b>71438</b>	ZF
12160	72689	<b>71439</b>	ZF
12185	79142	<b>77892</b>	SAE
12186	79143	<b>77893</b>	SAE
12187	79144	<b>77894</b>	SAE
12188	79145	<b>77895</b>	SAE
12192	72881	<b>71631</b>	BPW
12193	72882	<b>71632</b>	BPW
12212	72883	<b>71633</b>	BPW

REFERENCE	HALDEX NO.	GTSA NO.	VEHICLE
12235	72853	<b>71603</b>	IKARUS
12257	72931	<b>71681</b>	ZF
12258	72932	<b>71682</b>	ZF
1227274	72530	<b>71280</b>	DAF
12277	72929	<b>71679</b>	ZF
12278	72930	<b>71680</b>	ZF
12279	72928	<b>71678</b>	RABA
12285	79440	<b>78190</b>	RENAULT
12286	79441	<b>78191</b>	RENAULT
12326	79056	<b>77806</b>	RABA
12335	80001	<b>78751</b>	MERCEDES
12336	80000	<b>78750</b>	MERCEDES
12344	79146	<b>77896</b>	SAE
1234403	72794	<b>71544</b>	DAF
1234404	72795	<b>71545</b>	DAF
12345	79147	<b>77897</b>	SAE
12348	79097	<b>77847</b>	ROR
12349	79098	<b>77848</b>	ROR
1242589	72834	<b>71584</b>	DAF
1242597	72833	<b>71583</b>	DAF
1242598	72834	<b>71584</b>	DAF
12630	79022	<b>77772</b>	FRUEHAUF
1263485	72886	<b>71636</b>	DAF
1263486	72887	<b>71637</b>	DAF
1267842	72550	<b>71300</b>	DAF
1267843	72550	<b>71300</b>	DAF
1282111	79024	<b>77774</b>	DAF
1282112	79025	<b>77775</b>	DAF
1309074	79179	<b>77929</b>	DAF
1309075	79180	<b>77930</b>	DAF
1311809	79167	<b>77917</b>	DAF
1311810	79168	<b>77918</b>	DAF
13180	102172001	<b>G2001</b>	ROR / TRAILOR
1324357	79105	<b>77855</b>	SCANIA
1324358	79106	<b>77856</b>	SCANIA
1325309	72875	<b>71625</b>	BPW
1325310	79005	<b>77755</b>	SAF
1325311	70949	<b>69699</b>	SAF
1325312	79023	<b>77773</b>	TRAILOR
1325313	72788	<b>71538</b>	ROR
1335985	79787	<b>78537</b>	SCANIA
1335986	79786	<b>78536</b>	SCANIA
135027/2	72459	<b>71209</b>	VAN HOOL
1356695	79551	<b>78301</b>	SCANIA
1356696	79550	<b>78300</b>	SCANIA
1358634	79442	<b>78192</b>	SCANIA
1358635	79443	<b>78193</b>	SCANIA
1358940	100101743	<b>G1743</b>	SAUER
1372187	79577	<b>78327</b>	DAF
1372188	79578	<b>78328</b>	DAF

All manufacturer names, trademarks, product descriptions contained in this product catalog are for reference only. All reference numbers are for comparison purposes.

REFERENCE	HALDEX NO.	GTSA NO.	VEHICLE
1387718	79022	<b>77772</b>	FRUEHAUF
14031	70720	<b>69470</b>	KASSBOHRER
14032	70720	<b>69470</b>	KASSBOHRER
14265271135	72416	<b>71166</b>	KASSBOHRER
14271	79023	<b>77773</b>	TRAILOR
14503	80019	<b>78769</b>	BPW
14505	80022	<b>78772</b>	SAF
14507	80023	<b>78773</b>	SMB
14511	80020	<b>78770</b>	ROR
14512017	79022	<b>77772</b>	FRUEHAUF
14513	80020	<b>78770</b>	ROR
1452423	72521	<b>71271</b>	SISU
14525	72534	<b>71284</b>	DAF
14526	72534	<b>71284</b>	DAF
14533	79006	<b>77756</b>	SAF
14537	72662	<b>71412</b>	SCANIA
14538	72662	<b>71412</b>	SCANIA
14539	72663	<b>71413</b>	SCANIA
14540	72664	<b>71414</b>	SCANIA
14541	72727	<b>71477</b>	SCANIA
14542	72728	<b>71478</b>	SCANIA
14543	79013	<b>77763</b>	RENAULT
14544	79014	<b>77764</b>	RENAULT
14545	80024	<b>78774</b>	TRAILOR
14549	72654	<b>71404</b>	SCANIA
14550	72654	<b>71404</b>	SCANIA
14553	72723	<b>71473</b>	VOLVO
14554	72724	<b>71474</b>	VOLVO
14555	72721	<b>71471</b>	VOLVO
14556	72722	<b>71472</b>	VOLVO
14557	72655	<b>71405</b>	SCANIA
14558	72656	<b>71406</b>	SCANIA
14559	72657	<b>71407</b>	SCANIA
14560	72658	<b>71408</b>	SCANIA
14561	72729	<b>71479</b>	SCANIA
14562	72730	<b>71480</b>	SCANIA
14563	72744	<b>71494</b>	SCANIA
14564	72745	<b>71495</b>	SCANIA
14565	79011	<b>77761</b>	RENAULT
14566	79011	<b>77761</b>	RENAULT
14567	79019	<b>77769</b>	RENAULT
14568	79012	<b>77762</b>	RENAULT
14569	72524	<b>71274</b>	DAF
14570	72523	<b>71273</b>	DAF
14571	72782	<b>71532</b>	VOLVO
14572	72783	<b>71533</b>	VOLVO
14573	79271	<b>78021</b>	VOLVO
14574	79271	<b>78021</b>	VOLVO
14575	72902	<b>71652</b>	VOLVO
14576	72901	<b>71651</b>	VOLVO

REFERENCE	HALDEX NO.	GTSA NO.	VEHICLE
14578 (SBT)	79019	<b>77769</b>	RENAULT
14581	72660	<b>71410</b>	SCANIA
14582	72661	<b>71411</b>	SCANIA
14583	79443	<b>78193</b>	SCANIA
14584	79442	<b>78192</b>	SCANIA
14585	72947	<b>71697</b>	BPW
14586	72947	<b>71697</b>	BPW
14587	72910	<b>71660</b>	SCANIA
14588	72910	<b>71660</b>	SCANIA
14589	72784	<b>71534</b>	VOLVO
14590	72785	<b>71535</b>	VOLVO
14593	72688	<b>71438</b>	ZF
14594	72689	<b>71439</b>	ZF
14607	79014	<b>77764</b>	RENAULT
14608	79013	<b>77763</b>	RENAULT
14611	72747	<b>71497</b>	SCANIA
14612	72746	<b>71496</b>	SCANIA
14615	79152	<b>77902</b>	RENAULT
14616	79153	<b>77903</b>	RENAULT
14617	79150	<b>77900</b>	RENAULT
14618	79151	<b>77901</b>	RENAULT
14619	79303	<b>78053</b>	RENAULT
14620	79303	<b>78053</b>	RENAULT
14621	79298	<b>78048</b>	RENAULT
14622	79298	<b>78048</b>	RENAULT
14629	79301	<b>78051</b>	RENAULT
14630	79302	<b>78052</b>	RENAULT
14631	79309	<b>78059</b>	RENAULT
14632	79308	<b>78058</b>	RENAULT
14633	79294	<b>78044</b>	RENAULT
14634	79295	<b>78045</b>	RENAULT
14645	72535	<b>71285</b>	DAF
14646	72535	<b>71285</b>	DAF
14651	79299	<b>78049</b>	RENAULT
14652	79300	<b>78050</b>	RENAULT
1465201542	100101009	<b>G1009</b>	-
1465201811	100101006	<b>G1006</b>	-
1465201911	100101008	<b>G1008</b>	ROR/TRAILOR
1465202011	104501401	<b>G1401L</b>	-
1465202021	104401401	<b>G1401</b>	-
1465300151	70851	<b>69601</b>	SISU
1465300161	70852	<b>69602</b>	SISU
1465300611	72428	<b>71178</b>	SISU
1465300711	72262	<b>71012</b>	SISU
1465300811	72429	<b>71179</b>	SISU
1465300911	72521	<b>71271</b>	SISU
1465300921	72522	<b>71272</b>	SISU
1465301011	72938	<b>71688</b>	FODEN / SISU
1465301021	72937	<b>71687</b>	FODEN / SISU
1465301211	79003	<b>77753</b>	SISU

## CROSS REFERENCE

REFERENCE	HALDEX NO.	GTSA NO.	VEHICLE
1465301221	79002	<b>77752</b>	SISU
1465301311	79003	<b>77753</b>	SISU
1465301321	79002	<b>77752</b>	SISU
14685	70976	<b>69726</b>	RENAULT
14686	70975	<b>69725</b>	RENAULT
14687	72536	<b>71286</b>	DAF
14688	72537	<b>71287</b>	DAF
14693	72213	<b>70963</b>	MERCEDES
14694	72213	<b>70963</b>	MERCEDES
14695	72810	<b>71560</b>	MERCEDES
14696	72809	<b>71559</b>	MERCEDES
14697	70706	<b>69456</b>	MERCEDES
14698	70706	<b>69456</b>	MERCEDES
14699	72212	<b>70962</b>	MERCEDES
14700	72211	<b>70961</b>	MERCEDES
14701	79209	<b>77959</b>	MAN
14702	79208	<b>77958</b>	MAN
14703	79225	<b>77975</b>	MAN
14704	79226	<b>77976</b>	MAN
14705	79217	<b>77967</b>	MAN
14706	79216	<b>77966</b>	MAN
14707	72059	<b>70809</b>	MERCEDES
14708	72059	<b>70809</b>	MERCEDES
14709	70870	<b>69620</b>	MERCEDES
14710	70870	<b>69620</b>	MERCEDES
14711	79201	<b>77951</b>	MAN
14712	79201	<b>77951</b>	MAN
14713	79212	<b>77962</b>	MAN
14714	79212	<b>77962</b>	MAN
14715	72061	<b>70811</b>	MERCEDES
14716	72060	<b>70810</b>	MERCEDES
14717	80008	<b>78758</b>	MERCEDES
14718	80009	<b>78759</b>	MERCEDES
14719	79227	<b>77977</b>	MAN
14720	79227	<b>77977</b>	MAN
14721	79210	<b>77960</b>	MAN
14722	79211	<b>77961</b>	MAN
14723	79215	<b>77965</b>	MAN
14724	79215	<b>77965</b>	MAN
14725	79207	<b>77957</b>	MAN
14726	79207	<b>77957</b>	MAN
14727	72527	<b>71277</b>	DAF
14729	72834	<b>71584</b>	DAF
14730	72833	<b>71583</b>	DAF
14735	70771	<b>69521</b>	MERCEDES
14736	70772	<b>69522</b>	MERCEDES
14739	79305	<b>78055</b>	RENAULT
14740	79304	<b>78054</b>	RENAULT
14755	70775	<b>69525</b>	MERCEDES
14756	70775	<b>69525</b>	MERCEDES

REFERENCE	HALDEX NO.	GTSA NO.	VEHICLE
14763	79024	<b>77774</b>	DAF
14764	79025	<b>77775</b>	DAF
14765	72696	<b>71446</b>	DAF
14766	72695	<b>71445</b>	DAF
14767	72548	<b>71298</b>	DAF
14768	72548	<b>71298</b>	DAF
14769	72529	<b>71279</b>	DAF
14770	72529	<b>71279</b>	DAF
14771	72794	<b>71544</b>	DAF
14772	72795	<b>71545</b>	DAF
14773	70518	<b>69268</b>	MERCEDES
14774	70518	<b>69268</b>	MERCEDES
14779	70950	<b>69700</b>	MERCEDES
14780	70950	<b>69700</b>	MERCEDES
14781	72609	<b>71359</b>	DAF
14782	72608	<b>71358</b>	DAF
14791	72137	<b>70887</b>	RENAULT
14792	72138	<b>70888</b>	RENAULT
14809	72704	<b>71454</b>	DAF
14810	72705	<b>71455</b>	DAF
14814	79007	<b>77757</b>	RENAULT
14815	79288	<b>78038</b>	RENAULT
14816	79289	<b>78039</b>	RENAULT
14817	79441	<b>78191</b>	RENAULT
14818	79440	<b>78190</b>	RENAULT
14819	72540	<b>71290</b>	DAF
14820	72540	<b>71290</b>	DAF
14821	79015	<b>77765</b>	RENAULT
148214/4	72462	<b>71212</b>	VAN HOOL
148215/4	72461	<b>71211</b>	VAN HOOL
14822	79016	<b>77766</b>	RENAULT
14823	72827	<b>71577</b>	SAF
1501311	104401053	<b>G1053</b>	VOLVO
1505324	104401053	<b>G1053</b>	VOLVO
1505325	104501053	<b>G1053L</b>	VOLVO
1571482	79698	<b>78448</b>	VOLVO
157756	104501051	<b>G1051L</b>	VOLVO/DAF
157954/2	72647	<b>71397</b>	VAN HOOL
157955/2	72646	<b>71396</b>	VAN HOOL
1581466	72905	<b>71655</b>	VOLVO
1581471	72902	<b>71652</b>	VOLVO
1581472	72901	<b>71651</b>	VOLVO
1581476	72912	<b>71662</b>	VOLVO
1581478	70642	<b>69392</b>	VOLVO
1581479	70641	<b>69391</b>	VOLVO
1581480	72903	<b>71653</b>	VOLVO
1581481	79697	<b>78447</b>	VOLVO
1581482	79698	<b>78448</b>	VOLVO
1581485	72668	<b>71418</b>	VOLVO
1581486	72669	<b>71419</b>	VOLVO

REFERENCE	HALDEX NO.	GTSA NO.	VEHICLE
1581487	72913	<b>71663</b>	VOLVO
1581490	72904	<b>71654</b>	VOLVO
1581491	72914	<b>71664</b>	VOLVO
1581492	72670	<b>71420</b>	VOLVO
1581493	72671	<b>71421</b>	VOLVO
1581800	72908	<b>71658</b>	VOLVO
1586190	72668	<b>71418</b>	VOLVO
1586191	72669	<b>71419</b>	VOLVO
1586192	72670	<b>71420</b>	VOLVO
1586193	72671	<b>71421</b>	VOLVO
1586194	79178	<b>77928</b>	VOLVO
1587482	70946	<b>69696</b>	VOLVO
1590239	72909	<b>71659</b>	VOLVO
1592871	72672	<b>71422</b>	VOLVO
1592872	72673	<b>71423</b>	VOLVO
1592873	72674	<b>71424</b>	VOLVO
1592874	72675	<b>71425</b>	VOLVO
1592875	72725	<b>71475</b>	VOLVO
1592876	72676	<b>71426</b>	VOLVO
1592877	72677	<b>71427</b>	VOLVO
159556	72523	<b>71273</b>	DAF
159557	72524	<b>71274</b>	DAF
159558	72525	<b>71275</b>	DAF
159559	72526	<b>71276</b>	DAF
159560	72530	<b>71280</b>	DAF
159561	72542	<b>71292</b>	DAF
159562	72543	<b>71293</b>	DAF
159563	72544	<b>71294</b>	DAF
159564	72545	<b>71295</b>	DAF
159565	72535	<b>71285</b>	DAF
159569	72546	<b>71296</b>	DAF
159570	72546	<b>71296</b>	DAF
159576	72547	<b>71297</b>	DAF
159577	72548	<b>71298</b>	DAF
159578	72553	<b>71303</b>	DAF
159579	72553	<b>71303</b>	DAF
159587	72536	<b>71286</b>	DAF
159588	72537	<b>71287</b>	DAF
159589	72538	<b>71288</b>	DAF
159590	72539	<b>71289</b>	DAF
159591	72540	<b>71290</b>	DAF
159592	72541	<b>71291</b>	DAF
16103	70802	<b>69552</b>	SAF
16104	70803	<b>69553</b>	SAF
164290/2	72460	<b>71210</b>	VAN HOOL
1644815	79011	<b>77761</b>	RENAULT
1662200	80008	<b>78758</b>	MERCEDES
1662201	80009	<b>78759</b>	MERCEDES
1666003	72670	<b>71420</b>	VOLVO
1666004	72671	<b>71421</b>	VOLVO

REFERENCE	HALDEX NO.	GTSA NO.	VEHICLE
1666050	72672	<b>71422</b>	VOLVO
1666051	72673	<b>71423</b>	VOLVO
1670000	100101047	<b>G1047</b>	ROR
1670000J13180	100001027	<b>G1027</b>	ROR/TRAILOR
16879	72788	<b>71538</b>	ROR
171400/2	72921	<b>71671</b>	VAN HOOL
171401/2	72922	<b>71672</b>	VAN HOOL
17222353	72359	<b>71109</b>	ROR
18048B	102060001	<b>G0001K</b>	ROR / TRAILOR
18050	102062201	<b>G2201</b>	TRAILOR
18057/B	102172001	<b>G2001</b>	ROR / TRAILOR
18116/B	102066001	<b>G6001</b>	TRAILOR
18803400541	100106005	<b>G6005</b>	-
18880	102060031	<b>G0031</b>	DAF/ROR
18883/B	100114075	<b>G4075</b>	PROPAR/FRUEHAUF
18974/B	103007001	<b>G7001</b>	ROR/TRAILOR
190656	104407401	<b>G7401</b>	MERCEDES
190657	104507401	<b>G7401L</b>	MERCEDES
1944551	79581	<b>78331</b>	RENAULT
1944552	79582	<b>78332</b>	RENAULT
194778	102172031	<b>G2031</b>	ROR
199878	72641	<b>71391</b>	ZF / IVECO
20850	100101743	<b>G1743</b>	SAUER
20855	100101047	<b>G1047</b>	ROR
2100200001	100001021	<b>G1021</b>	BPW
2100200006	100001027	<b>G1027</b>	ROR/TRAILOR
2100200008	100101041	<b>G1041</b>	BPW / ROR
2100200011	100101042	<b>G1042</b>	ROR / TRAILOR
2100200012	100101047	<b>G1047</b>	ROR
2100200102	100001125	<b>G1125</b>	BPW
2100200108	100101145	<b>G1045</b>	-
2100200701	100001721	<b>G1721</b>	BPW
2100200703	100101743	<b>G1743</b>	SAUER
2100201101	100002166	<b>G2166</b>	KASSBOHRER
2100201201	100002568	<b>G2568</b>	-
2100212902	104507401	<b>G7401L</b>	MERCEDES
2100212903	104407401	<b>G7401</b>	MERCEDES
21013180	102060001	<b>G0001K</b>	ROR / TRAILOR
21217568	72359	<b>71109</b>	ROR
21219681	103007001	<b>G7001</b>	ROR/TRAILOR
21219998	103006001	<b>G6001S</b>	ROR / TRAILOR
21222694	72788	<b>71538</b>	ROR
21222873	70802	<b>69552</b>	SAF
21222874	70803	<b>69553</b>	SAF
21222924	72917	<b>71667</b>	ROR
21222925	72918	<b>71668</b>	ROR
21223694	72788	<b>71538</b>	ROR
21224345	79183	<b>77933</b>	ROR
21225220	79098	<b>77848</b>	ROR
21225221	79097	<b>77847</b>	ROR

## CROSS REFERENCE

REFERENCE	HALDEX NO.	GTSA NO.	VEHICLE
21225222	79098	<b>77848</b>	ROR
21226978	79051	<b>77801</b>	ROR
21227325	79160	<b>77910</b>	VOLVO/ROR
21229249	72788	<b>71538</b>	ROR
21229250	70802	<b>69552</b>	SAF
21229251	70803	<b>69553</b>	SAF
21229280	79097	<b>77847</b>	ROR
21229281	79098	<b>77848</b>	ROR
21229290	79183	<b>77933</b>	ROR
215850	72654	<b>71404</b>	SCANIA
2175001002	100101145	<b>G1045</b>	-
2175003700	100101047	<b>G1047</b>	ROR
2175007400	100101743	<b>G1743</b>	SAUER
2175007700	100001025	<b>G1025</b>	BPW
2175015600	79005	<b>77755</b>	SAF
2175016800	79005	<b>77755</b>	SAF
2175016900	72875	<b>71625</b>	BPW
2175020200	79005	<b>77755</b>	SAF
2175021900	72581	<b>71331</b>	SAF
218685	100101009	<b>G1009</b>	-
218692	104501051	<b>G1051L</b>	VOLVO/DAF
218693	104501051	<b>G1051L</b>	VOLVO/DAF
218833	72744	<b>71494</b>	SCANIA
218834	72745	<b>71495</b>	SCANIA
219859	79106	<b>77856</b>	SCANIA
219860	79105	<b>77855</b>	SCANIA
219997	72655	<b>71405</b>	SCANIA
219998	72656	<b>71406</b>	SCANIA
221733	72657	<b>71407</b>	SCANIA
221734	72658	<b>71408</b>	SCANIA
221737	72746	<b>71496</b>	SCANIA
221738	72747	<b>71497</b>	SCANIA
223333	72551	<b>71301</b>	DAF
225440	104501051	<b>G1051L</b>	VOLVO/DAF
225441	104501051	<b>G1051L</b>	VOLVO/DAF
225442	104501051	<b>G1051L</b>	VOLVO/DAF
225443	104501051	<b>G1051L</b>	VOLVO/DAF
2275	79005	<b>77755</b>	SAF
2321243	72930	<b>71680</b>	ZF
246392	72947	<b>71697</b>	BPW
253855	72330	<b>71080</b>	VAN HOOL / IVECO
266673	100101364	<b>G1364</b>	DAF
2700020000	72180	<b>70930</b>	FODEN
2700021000	72181	<b>70931</b>	FODEN
2700031000	12132	<b>10882</b>	FODEN
2700039000	72864	<b>71614</b>	FODEN
2700040000	72939	<b>71689</b>	FODEN
2700045000	72199	<b>70949</b>	FODEN
2700046000	72199	<b>70949</b>	FODEN
2700048000	79133	<b>77883</b>	FODEN

REFERENCE	HALDEX NO.	GTSA NO.	VEHICLE
2700052000	79184	<b>77934</b>	FODEN
2700054	79184	<b>77934</b>	FODEN
2700054000	79461	<b>78211</b>	FODEN
27297	79293	<b>78043</b>	RENAULT
276525	72663	<b>71413</b>	SCANIA
276526	72664	<b>71414</b>	SCANIA
276576	72664	<b>71414</b>	SCANIA
278350	72523	<b>71273</b>	DAF
278351	72524	<b>71274</b>	DAF
278678	72530	<b>71280</b>	DAF
278679	72530	<b>71280</b>	DAF
278737	72660	<b>71410</b>	SCANIA
278738	72661	<b>71411</b>	SCANIA
278739	72662	<b>71412</b>	SCANIA
279234	72527	<b>71277</b>	DAF
279243	72529	<b>71279</b>	DAF
279244	72529	<b>71279</b>	DAF
281090	72525	<b>71275</b>	DAF
281091	72526	<b>71276</b>	DAF
281094	72531	<b>71281</b>	DAF
281095	72531	<b>71281</b>	DAF
281852	100213749	<b>G3749</b>	TITAN
281853	100313749	<b>G3749D</b>	TITAN
281966RH	104501051	<b>G1051L</b>	VOLVO/DAF
281967LH	104501051	<b>G1051L</b>	VOLVO/DAF
281968RH	104501053	<b>G1053L</b>	VOLVO
281969LH	104401053	<b>G1053</b>	VOLVO
282609	72534	<b>71284</b>	DAF
282610	72534	<b>71284</b>	DAF
284860	72535	<b>71285</b>	DAF
28500	100101364	<b>G1364</b>	DAF
285951	104401201	<b>G1201</b>	VOLVO
285952	100101364	<b>G1364</b>	DAF
286952	100101364	<b>G1364</b>	DAF
28700	104401201	<b>G1201</b>	VOLVO
28800	104501201	<b>G1201L</b>	VOLVO
289691	72536	<b>71286</b>	DAF
289692	72537	<b>71287</b>	DAF
292924	72532	<b>71282</b>	DAF
292925	72533	<b>71283</b>	DAF
295148	100101042	<b>G1042</b>	ROR / TRAILOR
295390	100101003	<b>G1003</b>	-
295407RH	104501053	<b>G1053L</b>	VOLVO
295408LH	104401053	<b>G1053</b>	VOLVO
295414	100101047	<b>G1047</b>	ROR
295414B	100101041	<b>G1041</b>	BPW / ROR
297172	72545	<b>71295</b>	DAF
297173	72544	<b>71294</b>	DAF
297174	72546	<b>71296</b>	DAF
297175	72546	<b>71296</b>	DAF

All manufacturer names, trademarks, product descriptions contained in this product catalog are for reference only. All reference numbers are for comparison purposes.

REFERENCE	HALDEX NO.	GTSA NO.	VEHICLE
3013676	79271	<b>78021</b>	VOLVO
3014201138	72213	<b>70963</b>	MERCEDES
30155	72788	<b>71538</b>	ROR
3054200238	70706	<b>69456</b>	MERCEDES
3054200438	70518	<b>69268</b>	MERCEDES
3054200538	70519	<b>69269</b>	MERCEDES
3054202638	70706	<b>69456</b>	MERCEDES
3054202738	70702	<b>69452</b>	MERCEDES
3054202938	70950	<b>69700</b>	MERCEDES
3054203038	70950	<b>69700</b>	MERCEDES
3074200138	70772	<b>69522</b>	MERCEDES
3074200238	70771	<b>69521</b>	MERCEDES
3074200338	70775	<b>69525</b>	MERCEDES
3074201738	72064	<b>70814</b>	MERCEDES
3074201838	72065	<b>70815</b>	MERCEDES
3074202138	72354	<b>71104</b>	MERCEDES
3074202238	72355	<b>71105</b>	MERCEDES
308677	72654	<b>71404</b>	SCANIA
309423	79453	<b>78203</b>	SCANIA
309424	72895	<b>71645</b>	SCANIA
311508	72910	<b>71660</b>	SCANIA
3136246	79641	<b>78391</b>	VOLVO
3136247	79642	<b>78392</b>	VOLVO
3136426	79641	<b>78391</b>	VOLVO
3136427	79642	<b>78392</b>	VOLVO
31561	100114075	<b>G4075</b>	PROPAR/FRUEHAUF
3177014	79724	<b>78474</b>	VOLVO
3177673	72330	<b>71080</b>	VAN HOOL /IVECO
3193400	79677	<b>78427</b>	VOLVO
3193401	79678	<b>78428</b>	VOLVO
3193402	79713	<b>78463</b>	VOLVO
3193403	79714	<b>78464</b>	VOLVO
321469	72666	<b>71416</b>	SCANIA
321470	72665	<b>71415</b>	SCANIA
3231273	72930	<b>71680</b>	ZF
3231343	72929	<b>71679</b>	ZF
323821	100012911	<b>G2911</b>	-
3263623	79371	<b>78121</b>	DAF / SISU
3292691R1	72180	<b>70930</b>	FODEN
3292691R91	72180	<b>70930</b>	FODEN
3292692R1	72181	<b>70931</b>	FODEN
329269R1	72181	<b>70931</b>	FODEN
32928	100012345	<b>G2345</b>	-
3293961R1	72199	<b>70949</b>	FODEN
32943	100012901	<b>G2901</b>	-
33006	100001025	<b>G1025</b>	BPW
3308	72948	<b>71698</b>	SAF
3354200338	100001021	<b>G1021</b>	BPW
337389	79347	<b>78097</b>	SCANIA
337390	79348	<b>78098</b>	SCANIA

REFERENCE	HALDEX NO.	GTSA NO.	VEHICLE
3414201638	72121	<b>70871</b>	MERCEDES
3414201738	72120	<b>70870</b>	MERCEDES
341949	104501051	<b>G1051L</b>	VOLVO/DAF
341950	104401051	<b>G1051</b>	VOLVO
3434200438	100106005	<b>G6005</b>	-
3434350100	72581	<b>71331</b>	SAF
3434350202	79005	<b>77755</b>	SAF
3434350300	79006	<b>77756</b>	SAF
3434350400	72581	<b>71331</b>	SAF
3434350500	70949	<b>69699</b>	SAF
3434350800	72948	<b>71698</b>	SAF
3434351400	79005	<b>77755</b>	SAF
3434351500	79006	<b>77756</b>	SAF
3454200738	72069	<b>70819</b>	MERCEDES
3454200838	72070	<b>70820</b>	MERCEDES
3454201238	72178	<b>70928</b>	MERCEDES
3454207338	70990	<b>69740</b>	MERCEDES
3455207238	70991	<b>69741</b>	MERCEDES
3464201538	70753	<b>69503</b>	MERCEDES
3464201638	70754	<b>69504</b>	MERCEDES
3464201738	104407401	<b>G7401</b>	MERCEDES
3464201838	104507401	<b>G7401L</b>	MERCEDES
347870	104501051	<b>G1051L</b>	VOLVO/DAF
347871	104401051	<b>G1051</b>	VOLVO
3484201838	104507401	<b>G7401L</b>	MERCEDES
351949	104501051	<b>G1051L</b>	VOLVO/DAF
351950	104401051	<b>G1051</b>	VOLVO
351951	104501201	<b>G1201L</b>	VOLVO
351952	104401201	<b>G1201</b>	VOLVO
3574200538	72059	<b>70809</b>	MERCEDES
3574200638	72060	<b>70810</b>	MERCEDES
3574200738	72061	<b>70811</b>	MERCEDES
3574200938	72096	<b>70846</b>	MERCEDES
3574201038	72097	<b>70847</b>	MERCEDES
3574201138	72211	<b>70961</b>	MERCEDES
3574201238	72212	<b>70962</b>	MERCEDES
3574201338	72809	<b>71559</b>	MERCEDES
3574201438	72810	<b>71560</b>	MERCEDES
3574201538	72811	<b>71561</b>	MERCEDES
3574201638	72812	<b>71562</b>	MERCEDES
3586	104401053	<b>G1053</b>	VOLVO
3587	104501053	<b>G1053L</b>	VOLVO
361323	72540	<b>71290</b>	DAF
361540	72541	<b>71291</b>	DAF
361541	72542	<b>71292</b>	DAF
361542	72543	<b>71293</b>	DAF
361543	72539	<b>71289</b>	DAF
361544	72538	<b>71288</b>	DAF
362046	79453	<b>78203</b>	SCANIA
362047	72727	<b>71477</b>	SCANIA

All manufacturer names, trademarks, product descriptions contained in this product catalog are for reference only. All reference numbers are for comparison purposes.

## CROSS REFERENCE

REFERENCE	HALDEX NO.	GTSA NO.	VEHICLE
362134	72826	<b>71576</b>	SCANIA
362135	72825	<b>71575</b>	SCANIA
36300	79005	<b>77755</b>	SAF
3634200138	70759	<b>69509</b>	MERCEDES
3710001021	100001021	<b>G1021</b>	BPW
3714200038	79185	<b>77935</b>	MERCEDES
374800	72547	<b>71297</b>	DAF
374801	72547	<b>71297</b>	DAF
3764200038	70990	<b>69740</b>	MERCEDES
3764200138	70991	<b>69741</b>	MERCEDES
3764200238	70992	<b>69742</b>	MERCEDES
3764200338	70993	<b>69743</b>	MERCEDES
380253	72892	<b>71642</b>	SCANIA
380254	72893	<b>71643</b>	SCANIA
3814200238	70955	<b>69705</b>	MERCEDES
3814200338	70956	<b>69706</b>	MERCEDES
3834200438	80011	<b>78761</b>	MERCEDES
3834200538	80010	<b>78760</b>	MERCEDES
383825	72730	<b>71480</b>	SCANIA
383826	72729	<b>71479</b>	SCANIA
384417	72663	<b>71413</b>	SCANIA
384418	72664	<b>71414</b>	SCANIA
384419	72662	<b>71412</b>	SCANIA
3844207438	79186	<b>77936</b>	MERCEDES
3854201138	70917	<b>69667</b>	MERCEDES
3854201238	70918	<b>69668</b>	MERCEDES
3854201738	80012	<b>78762</b>	MERCEDES
3854201838	80013	<b>78763</b>	MERCEDES
3854207438	79186	<b>77936</b>	MERCEDES
3874200038	72173	<b>70923</b>	MERCEDES
3874200138	72174	<b>70924</b>	MERCEDES
3874200238	80001	<b>78751</b>	MERCEDES
3874200338	80000	<b>78750</b>	MERCEDES
3884202	70833	<b>69583</b>	VOLVO
3884204	70832	<b>69582</b>	VOLVO
388947	72553	<b>71303</b>	DAF
3894200338	70753	<b>69503</b>	MERCEDES
3894200438	70754	<b>69504</b>	MERCEDES
3894200738	70867	<b>69617</b>	MERCEDES
3894205438	70789	<b>69539</b>	MERCEDES
390065	72548	<b>71298</b>	DAF
392736	72558	<b>71308</b>	DAF
392737	72550	<b>71300</b>	DAF
392738	72550	<b>71300</b>	DAF
3934200038	70870	<b>69620</b>	MERCEDES
394180	72654	<b>71404</b>	SCANIA
394181	72660	<b>71410</b>	SCANIA
394182	72661	<b>71411</b>	SCANIA
394183	79453	<b>78203</b>	SCANIA
394184	72895	<b>71645</b>	SCANIA

REFERENCE	HALDEX NO.	GTSA NO.	VEHICLE
394185	72666	<b>71416</b>	SCANIA
394186	72665	<b>71415</b>	SCANIA
394187	79347	<b>78097</b>	SCANIA
394188	79348	<b>78098</b>	SCANIA
394189	72727	<b>71477</b>	SCANIA
394190	79453	<b>78203</b>	SCANIA
394191	72825	<b>71575</b>	SCANIA
394192	72826	<b>71576</b>	SCANIA
394193	72892	<b>71642</b>	SCANIA
394194	72893	<b>71643</b>	SCANIA
394195	72729	<b>71479</b>	SCANIA
394196	72730	<b>71480</b>	SCANIA
394197	72654	<b>71404</b>	SCANIA
394419	72662	<b>71412</b>	SCANIA
394783	79453	<b>78203</b>	SCANIA
3964200038	70867	<b>69617</b>	MERCEDES
397745	72727	<b>71477</b>	SCANIA
397746	72728	<b>71478</b>	SCANIA
4000165	72788	<b>71538</b>	ROR
40068	72788	<b>71538</b>	ROR
40232	79393	<b>78143</b>	SISU
40672053000	72053	<b>70803</b>	SAF / BPW
4175008500	79005	<b>77755</b>	SAF
4175008501	72948	<b>71698</b>	SAF
4175013900	72238	<b>70988</b>	SAF
4175014000	72239	<b>70989</b>	SAF
4175014100	70949	<b>69699</b>	SAF
4175014400	79006	<b>77756</b>	SAF
4175014900	72007	<b>70757</b>	SAF
4175015000	72008	<b>70758</b>	SAF
4175015401	72576	<b>71326</b>	SAF
4175018100	72554	<b>71304</b>	SAF
4175018400	72876	<b>71626</b>	BPW
4175020800	70803	<b>69553</b>	SAF
4175020900	70802	<b>69552</b>	SAF
4175021100	72581	<b>71331</b>	SAF
4175021500	70969	<b>69719</b>	SAF / BPW
4175021600	70970	<b>69720</b>	SAF / BPW
4175022500	72645	<b>71395</b>	SAF / BPW
4175022600	72710	<b>71460</b>	SAF
4175022601	72710	<b>71460</b>	SAF
4175022800	79005	<b>77755</b>	SAF
4175023000	72827	<b>71577</b>	SAF
4175023100	72053	<b>70803</b>	SAF / BPW
4175023500	79043	<b>77793</b>	SAF
4175023600	79044	<b>77794</b>	SAF
4175023700	79086	<b>77836</b>	SAF
4175023800	79087	<b>77837</b>	SAF
4175023900	72875	<b>71625</b>	BPW
4175024000	72948	<b>71698</b>	SAF

All manufacturer names, trademarks, product descriptions contained in this product catalog are for reference only. All reference numbers are for comparison purposes.

REFERENCE	HALDEX NO.	GTSA NO.	VEHICLE
4175024100	79038	<b>77788</b>	SAF
4175024200	79039	<b>77789</b>	SAF
4175024700	79006	<b>77756</b>	SAF
4175024800	79035	<b>77785</b>	SAF
4175024900	79005	<b>77755</b>	SAF
4175025000	79052	<b>77802</b>	SAF
4175025100	79053	<b>77803</b>	SAF
4175025700	79090	<b>77840</b>	SAF
4175026100	79240	<b>77990</b>	SAF
4175026200	80041	<b>78791</b>	SAF
42531790	72929	<b>71679</b>	ZF
42531791	72930	<b>71680</b>	ZF
42536274	72929	<b>71679</b>	ZF
42536275	72930	<b>71680</b>	ZF
42545954	72641	<b>71391</b>	ZF / IVECO
4332065000	72173	<b>70923</b>	MERCEDES
4332065010	72174	<b>70924</b>	MERCEDES
4332067000	80009	<b>78759</b>	MERCEDES
4332067010	80008	<b>78758</b>	MERCEDES
4332067020	80000	<b>78750</b>	MERCEDES
4332067030	80001	<b>78751</b>	MERCEDES
4332067040	80009	<b>78759</b>	MERCEDES
4332067050	80008	<b>78758</b>	MERCEDES
4332067060	80000	<b>78750</b>	MERCEDES
4332067070	80001	<b>78751</b>	MERCEDES
4332067080	80009	<b>78759</b>	MERCEDES
4332067090	80008	<b>78758</b>	MERCEDES
4332067100	70754	<b>69504</b>	MERCEDES
4332067110	70753	<b>69503</b>	MERCEDES
4335010000	100001125	<b>G1125</b>	BPW
4335010060	100001021	<b>G1021</b>	BPW
4335010120	100001025	<b>G1025</b>	BPW
4335010170	100101041	<b>G1041</b>	BPW / ROR
4335010290	100001721	<b>G1721</b>	BPW
4335065140	104407401	<b>G7401</b>	MERCEDES
4335065150	104507401	<b>G7401L</b>	MERCEDES
4335761120	70870	<b>69620</b>	MERCEDES
4335761130	70870	<b>69620</b>	MERCEDES
4335761240	70867	<b>69617</b>	MERCEDES
4335761250	70867	<b>69617</b>	MERCEDES
4335765020	80001	<b>78751</b>	MERCEDES
4335765030	80000	<b>78750</b>	MERCEDES
4335765080	72039	<b>70789</b>	MERCEDES
4335765090	72038	<b>70788</b>	MERCEDES
4335767000	70753	<b>69503</b>	MERCEDES
4335767010	70754	<b>69504</b>	MERCEDES
4335767060	72054	<b>70804</b>	MERCEDES
4335767070	72055	<b>70805</b>	MERCEDES
4335767080	72174	<b>70924</b>	MERCEDES
4335767090	72173	<b>70923</b>	MERCEDES

REFERENCE	HALDEX NO.	GTSA NO.	VEHICLE
4335767100	80008	<b>78758</b>	MERCEDES
4335767110	80009	<b>78759</b>	MERCEDES
4335767120	80008	<b>78758</b>	MERCEDES
4335767130	80009	<b>78759</b>	MERCEDES
4335767140	70753	<b>69503</b>	MERCEDES
4335767150	70754	<b>69504</b>	MERCEDES
4335767220	72597	<b>71347</b>	MERCEDES
4335767230	72598	<b>71348</b>	MERCEDES
4335767240	80008	<b>78758</b>	MERCEDES
4335767250	80009	<b>78759</b>	MERCEDES
436220	79052	<b>77802</b>	SAF
436225	79053	<b>77803</b>	SAF
44015510	70802	<b>69552</b>	SAF
44015520	70803	<b>69553</b>	SAF
44015700	79160	<b>77910</b>	VOLVO/ROR
44015800	79111	<b>77861</b>	CARDI
44016010	79272	<b>78022</b>	CARDI
44016020	79273	<b>78023</b>	CARDI
44016210	72788	<b>71538</b>	ROR
44016220	72788	<b>71538</b>	ROR
441176005	79441	<b>78191</b>	RENAULT
4469	104401051	<b>G1051</b>	VOLVO
4692759	70810	<b>69560</b>	FIAT
4695754	70809	<b>69559</b>	FIAT
4731006	70518	<b>69268</b>	MERCEDES
4731014	70519	<b>69269</b>	MERCEDES
4731022	70706	<b>69456</b>	MERCEDES
4731030	70753	<b>69503</b>	MERCEDES
4731048	70754	<b>69504</b>	MERCEDES
4731055	70771	<b>69521</b>	MERCEDES
4731063	70772	<b>69522</b>	MERCEDES
4731071	70775	<b>69525</b>	MERCEDES
4731089	70867	<b>69617</b>	MERCEDES
4731097	70870	<b>69620</b>	MERCEDES
4731105	70949	<b>69699</b>	SAF
4731113	80000	<b>78750</b>	MERCEDES
4731121	80001	<b>78751</b>	MERCEDES
4731139	70954	<b>69704</b>	MERCEDES
4731147	80011	<b>78761</b>	MERCEDES
4731154	80010	<b>78760</b>	MERCEDES
4731162	72038	<b>70788</b>	MERCEDES
4731170	72039	<b>70789</b>	MERCEDES
4731188	72059	<b>70809</b>	MERCEDES
4731196	80008	<b>78758</b>	MERCEDES
4731204	80009	<b>78759</b>	MERCEDES
4731212	72173	<b>70923</b>	MERCEDES
4731220	72174	<b>70924</b>	MERCEDES
4731238	72177	<b>70927</b>	NEOPLAN
4731246	72203	<b>70953</b>	ZF
4731253	72204	<b>70954</b>	ZF



## CROSS REFERENCE

REFERENCE	HALDEX NO.	GTSA NO.	VEHICLE
4731261	72211	<b>70961</b>	MERCEDES
4731279	72212	<b>70962</b>	MERCEDES
4731287	72213	<b>70963</b>	MERCEDES
4731295	80008	<b>78758</b>	MERCEDES
4731303	80009	<b>78759</b>	MERCEDES
4731311	72416	<b>71166</b>	KASSBOHRER
4731329	80008	<b>78758</b>	MERCEDES
4731337	80009	<b>78759</b>	MERCEDES
4731345	72596	<b>71346</b>	MERCEDES
4731352	72597	<b>71347</b>	MERCEDES
4731360	72598	<b>71348</b>	MERCEDES
4731386	72758	<b>71508</b>	KASSBOHRER
4731394	72809	<b>71559</b>	MERCEDES
4731402	72810	<b>71560</b>	MERCEDES
4731410	72875	<b>71625</b>	BPW
4731428	72875	<b>71625</b>	BPW
4731436	72876	<b>71626</b>	BPW
4731444	72877	<b>71627</b>	BPW
4731451	72878	<b>71628</b>	BPW
4731469	72879	<b>71629</b>	BPW
4731477	72880	<b>71630</b>	BPW
4731576	79194	<b>77944</b>	MAN
4731584	79205	<b>77955</b>	MAN
4731592	79206	<b>77956</b>	MAN
4731600	79207	<b>77957</b>	MAN
4731618	79208	<b>77958</b>	MAN
4731626	79209	<b>77959</b>	MAN
4731634	79210	<b>77960</b>	MAN
4731642	79211	<b>77961</b>	MAN
4731659	79212	<b>77962</b>	MAN
4731667	79216	<b>77966</b>	MAN
4731675	79217	<b>77967</b>	MAN
4731683	79219	<b>77969</b>	MAN
4731691	79220	<b>77970</b>	MAN
4731709	79221	<b>77971</b>	MAN
4731717	79222	<b>77972</b>	MAN
4731725	79223	<b>77973</b>	MAN
4731733	79224	<b>77974</b>	MAN
4731741	79225	<b>77975</b>	MAN
4731758	79226	<b>77976</b>	MAN
4731766	80000	<b>78750</b>	MERCEDES
4731774	80001	<b>78751</b>	MERCEDES
4731782	80008	<b>78758</b>	MERCEDES
4731790	80009	<b>78759</b>	MERCEDES
4731808	80010	<b>78760</b>	MERCEDES
4731816	80011	<b>78761</b>	MERCEDES
4731840	80022	<b>78772</b>	SAF
4731857	80020	<b>78770</b>	ROR
4737789	70932	<b>69682</b>	VOLVO
474801790	12254	<b>11004</b>	HINO

REFERENCE	HALDEX NO.	GTSA NO.	VEHICLE
474801801	12256	<b>11006</b>	HINO
474801811	12256	<b>11006</b>	HINO
474901180	12255	<b>11005</b>	HINO
4880708	70957	<b>69707</b>	VOLVO
4940871	72085	<b>70835</b>	VOLVO
5000029286	79199	<b>77949</b>	MAN
5000029287	79200	<b>77950</b>	MAN
5000031229	70608	<b>69358</b>	RENAULT
5000031230	70609	<b>69359</b>	RENAULT
5000037954	70621	<b>69371</b>	RENAULT
5000037955	70622	<b>69372</b>	RENAULT
5000038237	70619	<b>69369</b>	RENAULT
5000038238	70620	<b>69370</b>	RENAULT
5000445830	79011	<b>77761</b>	RENAULT
5000445898	79012	<b>77762</b>	RENAULT
5000467382	70856	<b>69606</b>	RENAULT
5000467831	70855	<b>69605</b>	RENAULT
5000467832	70856	<b>69606</b>	RENAULT
5000470830	70896	<b>69646</b>	RENAULT
5000470831	70897	<b>69647</b>	RENAULT
5000470912	70899	<b>69649</b>	RENAULT
5000504467	72137	<b>70887</b>	RENAULT
5000504468	72138	<b>70888</b>	RENAULT
5000568146	70881	<b>69631</b>	RENAULT
5000568147	70880	<b>69630</b>	RENAULT
5000785203	79152	<b>77902</b>	RENAULT
5000785204	79153	<b>77903</b>	RENAULT
5000785205	79150	<b>77900</b>	RENAULT
5000785206	79151	<b>77901</b>	RENAULT
5000787230	79431	<b>78181</b>	RENAULT
5000787231	79432	<b>78182</b>	RENAULT
5000787264	79007	<b>77757</b>	RENAULT
5000787265	79008	<b>77758</b>	RENAULT
5000788696	79009	<b>77759</b>	RENAULT
5000788697	79010	<b>77760</b>	RENAULT
50007898894	79015	<b>77765</b>	RENAULT
50007898895	79016	<b>77766</b>	RENAULT
5000789892	79013	<b>77763</b>	RENAULT
5000789894	79015	<b>77765</b>	RENAULT
5000789895	79016	<b>77766</b>	RENAULT
5000791212	79017	<b>77767</b>	RENAULT
5000791213	79018	<b>77768</b>	RENAULT
5000882316	70975	<b>69725</b>	RENAULT
5000882317	70976	<b>69726</b>	RENAULT
5000928591	70542	<b>69292</b>	RENAULT
5000928592	70543	<b>69293</b>	RENAULT
5010013393	79020	<b>77770</b>	RENAULT
5010013394	79021	<b>77771</b>	RENAULT
5010037900	79019	<b>77769</b>	RENAULT
5010056685	79013	<b>77763</b>	RENAULT

All manufacturer names, trademarks, product descriptions contained in this product catalog are for reference only. All reference numbers are for comparison purposes.

REFERENCE	HALDEX NO.	GTSA NO.	VEHICLE
5010056686	79014	<b>77764</b>	RENAULT
5010067156	79628	<b>78378</b>	RENAULT
5010067157	79629	<b>78379</b>	RENAULT
5010098831	79288	<b>78038</b>	RENAULT
5010098832	79289	<b>78039</b>	RENAULT
5010098860	79294	<b>78044</b>	RENAULT
5010098861	79295	<b>78045</b>	RENAULT
5010098862	79296	<b>78046</b>	RENAULT
5010098863	79297	<b>78047</b>	RENAULT
5010098893	79292	<b>78042</b>	RENAULT
5010098894	79293	<b>78043</b>	RENAULT
5010145883	79286	<b>78036</b>	RENAULT
5010145884	79287	<b>78037</b>	RENAULT
5010152965	79303	<b>78053</b>	RENAULT
5010197577	79440	<b>78190</b>	RENAULT
5010197578	79441	<b>78191</b>	RENAULT
5010201995	79298	<b>78048</b>	RENAULT
5010216246	79290	<b>78040</b>	RENAULT
5010216247	79291	<b>78041</b>	RENAULT
5010216843	79299	<b>78049</b>	RENAULT
5010216844	79300	<b>78050</b>	RENAULT
5010216904	79301	<b>78051</b>	RENAULT
5010216905	79302	<b>78052</b>	RENAULT
5010260023	79306	<b>78056</b>	RENAULT
5010260024	79307	<b>78057</b>	RENAULT
5010260027	79304	<b>78054</b>	RENAULT
5010260028	79305	<b>78055</b>	RENAULT
5010260085	79474	<b>78224</b>	RENAULT
5010260086	79475	<b>78225</b>	RENAULT
5010260087	79478	<b>78228</b>	RENAULT
5010260088	79479	<b>78229</b>	RENAULT
5010260089	79476	<b>78226</b>	RENAULT
5010260090	79477	<b>78227</b>	RENAULT
5010260115	79308	<b>78058</b>	RENAULT
5010260116	79309	<b>78059</b>	RENAULT
5010260117	79310	<b>78060</b>	RENAULT
5010260118	79311	<b>78061</b>	RENAULT
5010260344	79292	<b>78042</b>	RENAULT
5010260345	79293	<b>78043</b>	RENAULT
5010260379	79312	<b>78062</b>	RENAULT
5010260380	79313	<b>78063</b>	RENAULT
501205935	72326	<b>71076</b>	ZF
501206318	72385	<b>71135</b>	ZF
501207555	72641	<b>71391</b>	ZF / IVECO
501309389	72203	<b>70953</b>	ZF
501309398	72203	<b>70953</b>	ZF
501309399	72204	<b>70954</b>	ZF
501314043	72872	<b>71622</b>	ZF
501314349	72931	<b>71681</b>	ZF
501314350	72932	<b>71682</b>	ZF

REFERENCE	HALDEX NO.	GTSA NO.	VEHICLE
501314479	72688	<b>71438</b>	ZF
501314480	72689	<b>71439</b>	ZF
501317229	79430	<b>78180</b>	ZF
501317230	79429	<b>78179</b>	ZF
501317231	79430	<b>78180</b>	ZF
0501317231C	79430	<b>78180</b>	ZF
505835	100101364	<b>G1364</b>	DAF
505839	104401201	<b>G1201</b>	VOLVO
50583992164	104401201	<b>G1201</b>	VOLVO
505840	104501201	<b>G1201L</b>	VOLVO
50584092165	104501201	<b>G1201L</b>	VOLVO
517452100	100101041	<b>G1041</b>	BPW / ROR
517456710	72877	<b>71627</b>	BPW
517456720	72878	<b>71628</b>	BPW
517456810	72885	<b>71635</b>	BPW
517456820	72884	<b>71634</b>	BPW
517482020	72875	<b>71625</b>	BPW
517482021	72875	<b>71625</b>	BPW
517482022	72875	<b>71625</b>	BPW
517482030	72876	<b>71626</b>	BPW
517482031	72876	<b>71626</b>	BPW
517482032	72876	<b>71626</b>	BPW
517482091	72883	<b>71633</b>	BPW
517482092	72883	<b>71633</b>	BPW
517482110	72645	<b>71395</b>	SAF / BPW
517482112	72645	<b>71395</b>	SAF / BPW
517482120	72876	<b>71626</b>	BPW
517482122	72876	<b>71626</b>	BPW
517482130	72883	<b>71633</b>	BPW
517482132	72883	<b>71633</b>	BPW
517482140	72876	<b>71626</b>	BPW
517482142	72876	<b>71626</b>	BPW
517482200	72883	<b>71633</b>	BPW
517482202	72883	<b>71633</b>	BPW
517482210	72875	<b>71625</b>	BPW
517482212	72875	<b>71625</b>	BPW
517482220	72875	<b>71625</b>	BPW
517482222	72875	<b>71625</b>	BPW
517482240	72876	<b>71626</b>	BPW
517482242	72876	<b>71626</b>	BPW
517482260	72883	<b>71633</b>	BPW
517482262	72883	<b>71633</b>	BPW
517482310	72876	<b>71626</b>	BPW
517482312	72876	<b>71626</b>	BPW
517482320	72883	<b>71633</b>	BPW
517482322	72883	<b>71633</b>	BPW
517482392	80019	<b>78769</b>	BPW
517482400	72883	<b>71633</b>	BPW
517482402	72883	<b>71633</b>	BPW
517482430	72883	<b>71633</b>	BPW

## CROSS REFERENCE

REFERENCE	HALDEX NO.	GTSA NO.	VEHICLE
517482432	72883	<b>71633</b>	BPW
517482450	72883	<b>71633</b>	BPW
517482452	72883	<b>71633</b>	BPW
517482470	72876	<b>71626</b>	BPW
517482472	72876	<b>71626</b>	BPW
517482490	72875	<b>71625</b>	BPW
517482492	72875	<b>71625</b>	BPW
517482562	72876	<b>71626</b>	BPW
517482632	72875	<b>71625</b>	BPW
517482633	72875	<b>71625</b>	BPW
517482642	72883	<b>71633</b>	BPW
517482672	72875	<b>71625</b>	BPW
517482742	72875	<b>71625</b>	BPW
517482802	72883	<b>71633</b>	BPW
517490180	72173	<b>70923</b>	MERCEDES
517490190	72654	<b>71404</b>	SCANIA
517490200	80009	<b>78759</b>	MERCEDES
517490210	80001	<b>78751</b>	MERCEDES
517496630	72173	<b>70923</b>	MERCEDES
52305	70803	<b>69553</b>	SAF
52306	70802	<b>69552</b>	SAF
537146	72268	<b>71018</b>	FRUEHAUF
537538	72534	<b>71284</b>	DAF
537539	72534	<b>71284</b>	DAF
538470	72586	<b>71336</b>	DAF
538471	72587	<b>71337</b>	DAF
54300116310	72599	<b>71349</b>	RENAULT
5430016304	72603	<b>71353</b>	RENAULT
5430016305	72602	<b>71352</b>	RENAULT
5430016310	72599	<b>71349</b>	RENAULT
5430016341	72604	<b>71354</b>	RENAULT
5430016393	72601	<b>71351</b>	RENAULT
5430053192	79535	<b>78285</b>	RENAULT
5430053193	79536	<b>78286</b>	RENAULT
5430060288	79683	<b>78433</b>	RENAULT
5430060289	79684	<b>78434</b>	RENAULT
5430260288	79683	<b>78433</b>	RENAULT
5430260289	79684	<b>78434</b>	RENAULT
5465301811	79372	<b>78122</b>	SISU
5465301911	79398	<b>78148</b>	SISU
5465301921	79399	<b>78149</b>	SISU
5465302011	79396	<b>78146</b>	SISU
5465302021	79397	<b>78147</b>	SISU
5465303111	79407	<b>78157</b>	SISU
5465303121	79408	<b>78158</b>	SISU
5465303211	79394	<b>78144</b>	SISU
5465303221	79395	<b>78145</b>	SISU
5465303311	79501	<b>78251</b>	SISU
5465303411	79662	<b>78412</b>	SISU
5465303421	79663	<b>78413</b>	SISU

REFERENCE	HALDEX NO.	GTSA NO.	VEHICLE
5465303511	79639	<b>78389</b>	SISU
5465303521	79640	<b>78390</b>	SISU
5465303611	79643	<b>78393</b>	SISU
557482021	72875	<b>71625</b>	BPW
557482031	72876	<b>71626</b>	BPW
557482121	72875	<b>71625</b>	BPW
557482190	72875	<b>71625</b>	BPW
557482200	72876	<b>71626</b>	BPW
557482220	72875	<b>71625</b>	BPW
557482270	72876	<b>71626</b>	BPW
557482430	72875	<b>71625</b>	BPW
557482432	72875	<b>71625</b>	BPW
557482440	72876	<b>71626</b>	BPW
557482442	72876	<b>71626</b>	BPW
557482552	72875	<b>71625</b>	BPW
557482592	72876	<b>71626</b>	BPW
557482652	72875	<b>71625</b>	BPW
557482672	72876	<b>71626</b>	BPW
557482682	72875	<b>71625</b>	BPW
557482872	72875	<b>71625</b>	BPW
557482873	80019	<b>78769</b>	BPW
557482932	72875	<b>71625</b>	BPW
5810111404	72633	<b>71383</b>	RENAULT
5810111405	72634	<b>71384</b>	RENAULT
5966	100001021	<b>G1021</b>	BPW
5968	100001721	<b>G1721</b>	BPW
6045	104407401	<b>G7401</b>	MERCEDES
6046	104507401	<b>G7401L</b>	MERCEDES
60506556B	79023	<b>77773</b>	TRAILOR
611484	70859	<b>69609</b>	DENNIS / MCW
611484X	70859	<b>69609</b>	DENNIS / MCW
611485	70986	<b>69736</b>	DENNIS
611485X	70986	<b>69736</b>	DENNIS
612051	72145	<b>70895</b>	DENNIS
6174200238	70954	<b>69704</b>	MERCEDES
6174200338	80000	<b>78750</b>	MERCEDES
6174200438	80001	<b>78751</b>	MERCEDES
6194200038	80008	<b>78758</b>	MERCEDES
6194200138	80009	<b>78759</b>	MERCEDES
6194200238	80008	<b>78758</b>	MERCEDES
6194200338	80009	<b>78759</b>	MERCEDES
6194200638	80001	<b>78751</b>	MERCEDES
6194200738	80000	<b>78750</b>	MERCEDES
6204200038	70753	<b>69503</b>	MERCEDES
6204200138	70754	<b>69504</b>	MERCEDES
6204200238	70867	<b>69617</b>	MERCEDES
6204200338	70867	<b>69617</b>	MERCEDES
6214200038	72174	<b>70924</b>	MERCEDES
6214200138	72173	<b>70923</b>	MERCEDES
6234200038	72054	<b>70804</b>	MERCEDES

All manufacturer names, trademarks, product descriptions contained in this product catalog are for reference only. All reference numbers are for comparison purposes.

REFERENCE	HALDEX NO.	GTSA NO.	VEHICLE
6234200138	72055	<b>70805</b>	MERCEDES
6234200238	72054	<b>70804</b>	MERCEDES
6234200338	72055	<b>70805</b>	MERCEDES
6234200438	72039	<b>70789</b>	MERCEDES
6234200538	72038	<b>70788</b>	MERCEDES
6234200638	72039	<b>70789</b>	MERCEDES
6234200738	72038	<b>70788</b>	MERCEDES
6234200838	70870	<b>69620</b>	MERCEDES
6234200938	70870	<b>69620</b>	MERCEDES
6234201238	80008	<b>78758</b>	MERCEDES
6234201338	80009	<b>78759</b>	MERCEDES
6234201438	80008	<b>78758</b>	MERCEDES
6234201538	80009	<b>78759</b>	MERCEDES
6234201838	72056	<b>70806</b>	MERCEDES
6254200638	70950	<b>69700</b>	MERCEDES
626343	72688	<b>71438</b>	ZF
626344	72689	<b>71439</b>	ZF
627180	72928	<b>71678</b>	RABA
6310024	79013	<b>77763</b>	RENAULT
6310025	79014	<b>77764</b>	RENAULT
6310030	79022	<b>77772</b>	FRUEHAUF
633101440	70823	<b>69573</b>	DAF
633104280	72330	<b>71080</b>	VAN HOOL /IVECO
633104590	70905	<b>69655</b>	VAN HOOL
633104610	72459	<b>71209</b>	VAN HOOL
633104620	72460	<b>71210</b>	VAN HOOL
633104690	72462	<b>71212</b>	VAN HOOL
633104700	72461	<b>71211</b>	VAN HOOL
633104950	70905	<b>69655</b>	VAN HOOL
633105040	79005	<b>77755</b>	SAF
633105050	72253	<b>71003</b>	BPW
633105620	72267	<b>71017</b>	FRUEHAUF
633106140	72647	<b>71397</b>	VAN HOOL
633106150	72646	<b>71396</b>	VAN HOOL
633106650	72326	<b>71076</b>	ZF
633107430	72921	<b>71671</b>	VAN HOOL
633107440	72922	<b>71672</b>	VAN HOOL
633107720	72249	<b>70999</b>	SCANIA
633107870	72688	<b>71438</b>	ZF
633107880	72689	<b>71439</b>	ZF
633615	79056	<b>77806</b>	RABA
636318	79079	<b>77829</b>	RABA
651623	72364	<b>71114</b>	DENNIS
651624	10937	<b>9687</b>	DENNIS
651625	10938	<b>9688</b>	DENNIS
651626	72362	<b>71112</b>	DENNIS
651630	10939	<b>9689</b>	DENNIS
651777	72367	<b>71117</b>	DENNIS
651852	70986	<b>69736</b>	DENNIS
6518525	70986	<b>69736</b>	DENNIS

REFERENCE	HALDEX NO.	GTSA NO.	VEHICLE
6524200038	80008	<b>78758</b>	MERCEDES
6524200138	80009	<b>78759</b>	MERCEDES
6524200238	72596	<b>71346</b>	MERCEDES
652568	72362	<b>71112</b>	DENNIS
652626	72362	<b>71112</b>	DENNIS
654172	79121	<b>77871</b>	RABA
6544200038	72597	<b>71347</b>	MERCEDES
6544200138	72598	<b>71348</b>	MERCEDES
6554200038	80000	<b>78750</b>	MERCEDES
6554200138	80001	<b>78751</b>	MERCEDES
656995104	79429	<b>78179</b>	ZF
656995105	79430	<b>78180</b>	ZF
6584200038	72597	<b>71347</b>	MERCEDES
6584200138	72598	<b>71348</b>	MERCEDES
6584200238	80008	<b>78758</b>	MERCEDES
6584200338	80009	<b>78759</b>	MERCEDES
6,61465E+11	72428	<b>71178</b>	SISU
6,61465E+11	72429	<b>71179</b>	SISU
66373392163	100101364	<b>G1364</b>	DAF
663772	100101364	<b>G1364</b>	DAF
663773	100101364	<b>G1364</b>	DAF
6642300	100001025	<b>G1025</b>	BPW
6,65465E+11	79394	<b>78144</b>	SISU
6,65465E+11	79395	<b>78145</b>	SISU
6737	100101743	<b>G1743</b>	SAUER
6863906	70833	<b>69583</b>	VOLVO
6863907	70832	<b>69582</b>	VOLVO
6864707	70571	<b>69321</b>	VOLVO / AILSA
6864708	70572	<b>69322</b>	VOLVO / AILSA
6869601	70859	<b>69609</b>	DENNIS / MCW
6899	100002568	<b>G2568</b>	-
6954207038	79132	<b>77882</b>	MERCEDES
6969/F	70571	<b>69321</b>	VOLVO / AILSA
6970/F	70572	<b>69322</b>	VOLVO / AILSA
6994200538	72919	<b>71669</b>	MERCEDES
6994200638	72920	<b>71670</b>	MERCEDES
699433	79403	<b>78153</b>	RABA
699434	79402	<b>78152</b>	RABA
7000327W	79004	<b>77754</b>	SMB
70112507	70706	<b>69456</b>	MERCEDES
70114304	70772	<b>69522</b>	MERCEDES
70114305	70771	<b>69521</b>	MERCEDES
70115331	70753	<b>69503</b>	MERCEDES
70115348	80001	<b>78751</b>	MERCEDES
70265600	72661	<b>71411</b>	SCANIA
70276000	72203	<b>70953</b>	ZF
70276010	72688	<b>71438</b>	ZF
70276011	72689	<b>71439</b>	ZF
70276100	72204	<b>70954</b>	ZF
70277000	70720	<b>69470</b>	KASSBOHRER

All manufacturer names, trademarks, product descriptions contained in this product catalog are for reference only. All reference numbers are for comparison purposes.

## CROSS REFERENCE

REFERENCE	HALDEX NO.	GTSA NO.	VEHICLE
70618	72253	<b>71003</b>	BPW
70635	72713	<b>71463</b>	VOLVO
70636	72714	<b>71464</b>	VOLVO
70639	72715	<b>71465</b>	VOLVO
70640	72716	<b>71466</b>	VOLVO
70649	72912	<b>71662</b>	VOLVO
70661	72654	<b>71404</b>	SCANIA
70662	72744	<b>71494</b>	SCANIA
70663	72745	<b>71495</b>	SCANIA
70664	79106	<b>77856</b>	SCANIA
70665	79105	<b>77855</b>	SCANIA
70666	72655	<b>71405</b>	SCANIA
70667	72656	<b>71406</b>	SCANIA
70668	72657	<b>71407</b>	SCANIA
70669	72658	<b>71408</b>	SCANIA
70670	72746	<b>71496</b>	SCANIA
70671	72747	<b>71497</b>	SCANIA
70672	72669	<b>71419</b>	VOLVO
70673	72668	<b>71418</b>	VOLVO
70695	79200	<b>77950</b>	MAN
70696	79199	<b>77949</b>	MAN
70698	72948	<b>71698</b>	SAF
70703	72903	<b>71653</b>	VOLVO
70704	79697	<b>78447</b>	VOLVO
70705	79698	<b>78448</b>	VOLVO
70707	79193	<b>77943</b>	MAN
70709	72253	<b>71003</b>	BPW
70710	79150	<b>77900</b>	RENAULT
70711	79151	<b>77901</b>	RENAULT
70712	79152	<b>77902</b>	RENAULT
70713	79153	<b>77903</b>	RENAULT
70722	79210	<b>77960</b>	MAN
70723	79211	<b>77961</b>	MAN
70724	72717	<b>71467</b>	VOLVO
70725	72718	<b>71468</b>	VOLVO
70730	79223	<b>77973</b>	MAN
70731	79224	<b>77974</b>	MAN
70734	79212	<b>77962</b>	MAN
70738	72901	<b>71651</b>	VOLVO
70739	72902	<b>71652</b>	VOLVO
70740	72905	<b>71655</b>	VOLVO
70760	80000	<b>78750</b>	MERCEDES
70761	80001	<b>78751</b>	MERCEDES
70765	72913	<b>71663</b>	VOLVO
70770	79194	<b>77944</b>	MAN
70781	72904	<b>71654</b>	VOLVO
70782	72914	<b>71664</b>	VOLVO
70801	72947	<b>71697</b>	BPW
70804	79023	<b>77773</b>	TRAILOR
70807	79221	<b>77971</b>	MAN

REFERENCE	HALDEX NO.	GTSA NO.	VEHICLE
70808	79222	<b>77972</b>	MAN
70818	72253	<b>71003</b>	BPW
70834	72671	<b>71421</b>	VOLVO
70835	72670	<b>71420</b>	VOLVO
70846	79202	<b>77952</b>	MAN
70847	79225	<b>77975</b>	MAN
70848	79226	<b>77976</b>	MAN
70849	72719	<b>71469</b>	VOLVO
70850	72720	<b>71470</b>	VOLVO
70857	79215	<b>77965</b>	MAN
70864	72662	<b>71412</b>	SCANIA
70874	72251	<b>71001</b>	SAE
70877	72948	<b>71698</b>	SAF
70878	72660	<b>71410</b>	SCANIA
70879	72661	<b>71411</b>	SCANIA
70882	72256	<b>71006</b>	ROR
70887	72255	<b>71005</b>	ROR
70888	79201	<b>77951</b>	MAN
70900	72721	<b>71471</b>	VOLVO
70901	72722	<b>71472</b>	VOLVO
70902	72667	<b>71417</b>	VOLVO
70907	79226	<b>77976</b>	MAN
70908	79225	<b>77975</b>	MAN
70909	72723	<b>71473</b>	VOLVO
70910	72724	<b>71474</b>	VOLVO
70911	79198	<b>77948</b>	MAN
70912	79197	<b>77947</b>	MAN
70913	72906	<b>71656</b>	VOLVO
70914	72907	<b>71657</b>	VOLVO
70915	72915	<b>71665</b>	VOLVO
70916	72916	<b>71666</b>	VOLVO
70920	79178	<b>77928</b>	VOLVO
70921	72668	<b>71418</b>	VOLVO
70922	72669	<b>71419</b>	VOLVO
70923	72670	<b>71420</b>	VOLVO
70924	72671	<b>71421</b>	VOLVO
70937	72663	<b>71413</b>	SCANIA
70938	72664	<b>71414</b>	SCANIA
70941	72908	<b>71658</b>	VOLVO
70947	72173	<b>70923</b>	MERCEDES
70948	72174	<b>70924</b>	MERCEDES
70951	70950	<b>69700</b>	MERCEDES
70952	80000	<b>78750</b>	MERCEDES
70953	80001	<b>78751</b>	MERCEDES
70958	79218	<b>77968</b>	MAN
70959	79022	<b>77772</b>	FRUEHAUF
70960	72238	<b>70988</b>	SAF
70961	72239	<b>70989</b>	SAF
70962	79225	<b>77975</b>	MAN
70963	79226	<b>77976</b>	MAN

All manufacturer names, trademarks, product descriptions contained in this product catalog are for reference only. All reference numbers are for comparison purposes.

REFERENCE	HALDEX NO.	GTSA NO.	VEHICLE
70964	79223	<b>77973</b>	MAN
70965	79224	<b>77974</b>	MAN
70966	70775	<b>69525</b>	MERCEDES
70967	70771	<b>69521</b>	MERCEDES
70968	70772	<b>69522</b>	MERCEDES
70971	72758	<b>71508</b>	KASSBOHRER
70972	79453	<b>78203</b>	SCANIA
70973	72895	<b>71645</b>	SCANIA
70974	72654	<b>71404</b>	SCANIA
70981	79431	<b>78181</b>	RENAULT
70982	79432	<b>78182</b>	RENAULT
70983	72948	<b>71698</b>	SAF
70984	72581	<b>71331</b>	SAF
70985	72909	<b>71659</b>	VOLVO
718984	72214	<b>70964</b>	PEGASO
72001	72665	<b>71415</b>	SCANIA
72002	72666	<b>71416</b>	SCANIA
72005	79007	<b>77757</b>	RENAULT
72006	79008	<b>77758</b>	RENAULT
72009	72910	<b>71660</b>	SCANIA
72010	72876	<b>71626</b>	BPW
72012	79205	<b>77955</b>	MAN
72013	79206	<b>77956</b>	MAN
72021	72725	<b>71475</b>	VOLVO
72022	72672	<b>71422</b>	VOLVO
72023	72673	<b>71423</b>	VOLVO
72024	72674	<b>71424</b>	VOLVO
72025	72675	<b>71425</b>	VOLVO
72026	72676	<b>71426</b>	VOLVO
72027	72677	<b>71427</b>	VOLVO
72036	80011	<b>78761</b>	MERCEDES
72037	80010	<b>78760</b>	MERCEDES
72040	80012	<b>78762</b>	MERCEDES
72041	80013	<b>78763</b>	MERCEDES
72057	79023	<b>77773</b>	TRAILOR
72062	80008	<b>78758</b>	MERCEDES
72063	80009	<b>78759</b>	MERCEDES
72066	79023	<b>77773</b>	TRAILOR
72071	72416	<b>71166</b>	KASSBOHRER
72089	79009	<b>77759</b>	RENAULT
72090	79010	<b>77760</b>	RENAULT
72091	79348	<b>78098</b>	SCANIA
72092	79347	<b>78097</b>	SCANIA
72093	79203	<b>77953</b>	MAN
72094	79204	<b>77954</b>	MAN
72095	72260	<b>71010</b>	ROR
72099	79011	<b>77761</b>	RENAULT
72100	79012	<b>77762</b>	RENAULT
72107	72523	<b>71273</b>	DAF
72108	72524	<b>71274</b>	DAF

REFERENCE	HALDEX NO.	GTSA NO.	VEHICLE
72109	72525	<b>71275</b>	DAF
72110	72526	<b>71276</b>	DAF
72111	72527	<b>71277</b>	DAF
72116	72529	<b>71279</b>	DAF
72117	72530	<b>71280</b>	DAF
72119	72255	<b>71005</b>	ROR
72126	72944	<b>71694</b>	VOLVO
72127	72064	<b>70814</b>	MERCEDES
72139	72531	<b>71281</b>	DAF
72144	72568	<b>71318</b>	FODEN
72152	72782	<b>71532</b>	VOLVO
72153	72783	<b>71533</b>	VOLVO
72158	79217	<b>77967</b>	MAN
72159	79216	<b>77966</b>	MAN
72160	79013	<b>77763</b>	RENAULT
72161	79014	<b>77764</b>	RENAULT
72162	79015	<b>77765</b>	RENAULT
72163	79016	<b>77766</b>	RENAULT
72164	72532	<b>71282</b>	DAF
72165	72533	<b>71283</b>	DAF
72166	72678	<b>71428</b>	VOLVO
72167	72726	<b>71476</b>	VOLVO
72170	72548	<b>71298</b>	DAF
721815X	72815	<b>71565</b>	DAF
72193	72403	<b>71153</b>	LEYLAND
72194	72404	<b>71154</b>	LEYLAND
72195	72405	<b>71155</b>	LEYLAND
72196	72406	<b>71156</b>	LEYLAND
72197	72534	<b>71284</b>	DAF
72202	72535	<b>71285</b>	DAF
72208	79207	<b>77957</b>	MAN
72210	79218	<b>77968</b>	MAN
72223	72536	<b>71286</b>	DAF
72224	72537	<b>71287</b>	DAF
72232	72784	<b>71534</b>	VOLVO
72233	72785	<b>71535</b>	VOLVO
72234	80008	<b>78758</b>	MERCEDES
72235	80009	<b>78759</b>	MERCEDES
72236	79453	<b>78203</b>	SCANIA
72237	72727	<b>71477</b>	SCANIA
72246	79271	<b>78021</b>	VOLVO
72247	72825	<b>71575</b>	SCANIA
72248	72826	<b>71576</b>	SCANIA
72250	72948	<b>71698</b>	SAF
72252	72758	<b>71508</b>	KASSBOHRER
72254	79023	<b>77773</b>	TRAILOR
72258	72581	<b>71331</b>	SAF
72263	72876	<b>71626</b>	BPW
72266	79022	<b>77772</b>	FRUEHAUF
72270	79006	<b>77756</b>	SAF

All manufacturer names, trademarks, product descriptions contained in this product catalog are for reference only. All reference numbers are for comparison purposes.

## CROSS REFERENCE

REFERENCE	HALDEX NO.	GTSA NO.	VEHICLE
72271	72876	<b>71626</b>	BPW
72274	79004	<b>77754</b>	SMB
72301	72539	<b>71289</b>	DAF
72302	72538	<b>71288</b>	DAF
72303	79208	<b>77958</b>	MAN
72304	79209	<b>77959</b>	MAN
72305	72540	<b>71290</b>	DAF
72308	70867	<b>69617</b>	MERCEDES
72309	72541	<b>71291</b>	DAF
72310	72542	<b>71292</b>	DAF
72311	72543	<b>71293</b>	DAF
72312	72544	<b>71294</b>	DAF
72313	72545	<b>71295</b>	DAF
72314	72546	<b>71296</b>	DAF
72315	72804	<b>71554</b>	IVECO PEGASO
72318	79017	<b>77767</b>	RENAULT
72319	79018	<b>77768</b>	RENAULT
72320	79210	<b>77960</b>	MAN
72321	79211	<b>77961</b>	MAN
72322	79212	<b>77962</b>	MAN
72327	72547	<b>71297</b>	DAF
72328	79019	<b>77769</b>	RENAULT
72337	79213	<b>77963</b>	MAN
72338	79214	<b>77964</b>	MAN
72339	79195	<b>77945</b>	MAN
72340	79196	<b>77946</b>	MAN
72342	72548	<b>71298</b>	DAF
72346	79020	<b>77770</b>	RENAULT
72347	79021	<b>77771</b>	RENAULT
72348	79215	<b>77965</b>	MAN
72349	72893	<b>71643</b>	SCANIA
72350	72892	<b>71642</b>	SCANIA
72351	79225	<b>77975</b>	MAN
72352	79226	<b>77976</b>	MAN
72368	79040	<b>77790</b>	KASSBOHRER
72369	79041	<b>77791</b>	KASSBOHRER
72378	79693	<b>78443</b>	MAN
72383	72558	<b>71308</b>	DAF
72384	72550	<b>71300</b>	DAF
72388	72729	<b>71479</b>	SCANIA
72389	72730	<b>71480</b>	SCANIA
72394	79628	<b>78378</b>	RENAULT
72395	79629	<b>78379</b>	RENAULT
72414	79205	<b>77955</b>	MAN
72415	79206	<b>77956</b>	MAN
72434	79216	<b>77966</b>	MAN
72435	79217	<b>77967</b>	MAN
72436	72551	<b>71301</b>	DAF
72438	79218	<b>77968</b>	MAN
72442	72553	<b>71303</b>	DAF

REFERENCE	HALDEX NO.	GTSA NO.	VEHICLE
72444	72802	<b>71552</b>	IVECO PEGASO
72445	72803	<b>71553</b>	IVECO PEGASO
72455	79219	<b>77969</b>	MAN
72456	79220	<b>77970</b>	MAN
72464	72654	<b>71404</b>	SCANIA
72467	72662	<b>71412</b>	SCANIA
72468	72893	<b>71643</b>	SCANIA
72469	72892	<b>71642</b>	SCANIA
72474	79348	<b>78098</b>	SCANIA
72475	79347	<b>78097</b>	SCANIA
72476	72665	<b>71415</b>	SCANIA
72477	72666	<b>71416</b>	SCANIA
72478	72729	<b>71479</b>	SCANIA
72479	72730	<b>71480</b>	SCANIA
72482	79453	<b>78203</b>	SCANIA
72483	72727	<b>71477</b>	SCANIA
72484	79453	<b>78203</b>	SCANIA
72485	72895	<b>71645</b>	SCANIA
72486	72663	<b>71413</b>	SCANIA
72487	72664	<b>71414</b>	SCANIA
72488	72825	<b>71575</b>	SCANIA
72489	72826	<b>71576</b>	SCANIA
72490	72654	<b>71404</b>	SCANIA
72491	72660	<b>71410</b>	SCANIA
72492	72661	<b>71411</b>	SCANIA
72500	79225	<b>77975</b>	MAN
72501	79226	<b>77976</b>	MAN
72502	79197	<b>77947</b>	MAN
72503	79198	<b>77948</b>	MAN
72504	79199	<b>77949</b>	MAN
72505	79200	<b>77950</b>	MAN
72506	79221	<b>77971</b>	MAN
72507	79222	<b>77972</b>	MAN
72508	79223	<b>77973</b>	MAN
72509	79224	<b>77974</b>	MAN
72512	79225	<b>77975</b>	MAN
72513	79226	<b>77976</b>	MAN
72514	79201	<b>77951</b>	MAN
72515	79202	<b>77952</b>	MAN
72561	79203	<b>77953</b>	MAN
72562	79204	<b>77954</b>	MAN
72578	79227	<b>77977</b>	MAN
72579	72727	<b>71477</b>	SCANIA
72580	72728	<b>71478</b>	SCANIA
72593	80008	<b>78758</b>	MERCEDES
72594	80009	<b>78759</b>	MERCEDES
72616	80001	<b>78751</b>	MERCEDES
72617	80000	<b>78750</b>	MERCEDES
72620	72663	<b>71413</b>	SCANIA
72621	72664	<b>71414</b>	SCANIA

All manufacturer names, trademarks, product descriptions contained in this product catalog are for reference only. All reference numbers are for comparison purposes.

REFERENCE	HALDEX NO.	GTSA NO.	VEHICLE
72622	72662	<b>71412</b>	SCANIA
72623	72654	<b>71404</b>	SCANIA
72624	72660	<b>71410</b>	SCANIA
72625	72661	<b>71411</b>	SCANIA
72626	72666	<b>71416</b>	SCANIA
72627	72665	<b>71415</b>	SCANIA
72628	79347	<b>78097</b>	SCANIA
72629	79348	<b>78098</b>	SCANIA
72630	72825	<b>71575</b>	SCANIA
72631	72826	<b>71576</b>	SCANIA
72632	72654	<b>71404</b>	SCANIA
72659	72747	<b>71497</b>	SCANIA
72690	79368	<b>78118</b>	SCANIA
72691	79369	<b>78119</b>	SCANIA
72702	79005	<b>77755</b>	SAF
72703	72875	<b>71625</b>	BPW
72731	79228	<b>77978</b>	MAN
72732	79229	<b>77979</b>	MAN
72738	79286	<b>78036</b>	RENAULT
72739	79287	<b>78037</b>	RENAULT
72740	79288	<b>78038</b>	RENAULT
72741	79289	<b>78039</b>	RENAULT
72750	72828	<b>71578</b>	IVECO PEGASO
72763	72876	<b>71626</b>	BPW
72770	79581	<b>78331</b>	RENAULT
72771	79582	<b>78332</b>	RENAULT
72786	79290	<b>78040</b>	RENAULT
72787	79291	<b>78041</b>	RENAULT
72796	79292	<b>78042</b>	RENAULT
72797	79293	<b>78043</b>	RENAULT
72798	79294	<b>78044</b>	RENAULT
72799	79295	<b>78045</b>	RENAULT
72807	79105	<b>77855</b>	SCANIA
72808	79106	<b>77856</b>	SCANIA
72813	79296	<b>78046</b>	RENAULT
72814	79297	<b>78047</b>	RENAULT
72824	79298	<b>78048</b>	RENAULT
72829	72446	<b>71196</b>	IVECO PEGASO
72830	72447	<b>71197</b>	IVECO PEGASO
72831	72408	<b>71158</b>	IVECO PEGASO
72835	79299	<b>78049</b>	RENAULT
72836	79300	<b>78050</b>	RENAULT
72838	79301	<b>78051</b>	RENAULT
72839	79302	<b>78052</b>	RENAULT
72840	79303	<b>78053</b>	RENAULT
72851	79786	<b>78536</b>	SCANIA
72852	79787	<b>78537</b>	SCANIA
72865	79695	<b>78445</b>	MAN
72891	79348	<b>78098</b>	SCANIA
72949	72660	<b>71410</b>	SCANIA

REFERENCE	HALDEX NO.	GTSA NO.	VEHICLE
72950	72661	<b>71411</b>	SCANIA
72951	72663	<b>71413</b>	SCANIA
72952	72664	<b>71414</b>	SCANIA
72953	72654	<b>71404</b>	SCANIA
72954	72665	<b>71415</b>	SCANIA
72955	72666	<b>71416</b>	SCANIA
72956	72728	<b>71478</b>	SCANIA
72957	72727	<b>71477</b>	SCANIA
72958	72825	<b>71575</b>	SCANIA
72959	72826	<b>71576</b>	SCANIA
72960	72729	<b>71479</b>	SCANIA
72961	72730	<b>71480</b>	SCANIA
72962	72654	<b>71404</b>	SCANIA
72963	72662	<b>71412</b>	SCANIA
72965	79205	<b>77955</b>	MAN
72966	79206	<b>77956</b>	MAN
72967	79207	<b>77957</b>	MAN
72968	79208	<b>77958</b>	MAN
72969	79209	<b>77959</b>	MAN
72970	79210	<b>77960</b>	MAN
72971	79211	<b>77961</b>	MAN
72972	79212	<b>77962</b>	MAN
72973	79213	<b>77963</b>	MAN
72974	79214	<b>77964</b>	MAN
72975	79215	<b>77965</b>	MAN
72977	79693	<b>78443</b>	MAN
72978	79216	<b>77966</b>	MAN
72979	79217	<b>77967</b>	MAN
72980	79218	<b>77968</b>	MAN
72981	79219	<b>77969</b>	MAN
72982	79220	<b>77970</b>	MAN
72983	79221	<b>77971</b>	MAN
72984	79222	<b>77972</b>	MAN
72985	79223	<b>77973</b>	MAN
72986	79224	<b>77974</b>	MAN
72987	79225	<b>77975</b>	MAN
72988	79226	<b>77976</b>	MAN
72989	79227	<b>77977</b>	MAN
72990	79228	<b>77978</b>	MAN
72991	79229	<b>77979</b>	MAN
72992	79695	<b>78445</b>	MAN
72993	79440	<b>78190</b>	RENAULT
72994	79441	<b>78191</b>	RENAULT
72995	79550	<b>78300</b>	SCANIA
72996	79551	<b>78301</b>	SCANIA
72997	79304	<b>78054</b>	RENAULT
72998	79305	<b>78055</b>	RENAULT
730105	72948	<b>71698</b>	SAF
730121	72256	<b>71006</b>	ROR
7345	100002163	<b>G2163</b>	KASSBOHRER



## CROSS REFERENCE

REFERENCE	HALDEX NO.	GTSA NO.	VEHICLE
740321	72608	<b>71358</b>	DAF
740322	72609	<b>71359</b>	DAF
74585	72180	<b>70930</b>	FODEN
755247	72695	<b>71445</b>	DAF
755248	72696	<b>71446</b>	DAF
755616	72704	<b>71454</b>	DAF
755617	72705	<b>71455</b>	DAF
7684/F	72457	<b>71207</b>	FODEN
7701012134	70545	<b>69295</b>	RENAULT
7701012135	70544	<b>69294</b>	RENAULT
7771 /F	72417	<b>71167</b>	FODEN
7772/F	72418	<b>71168</b>	FODEN
77909	79080	<b>77830</b>	ROR
79000	79306	<b>78056</b>	RENAULT
79001	79307	<b>78057</b>	RENAULT
79033	79442	<b>78192</b>	SCANIA
79034	79443	<b>78193</b>	SCANIA
79045	79474	<b>78224</b>	RENAULT
79046	79475	<b>78225</b>	RENAULT
79047	79476	<b>78226</b>	RENAULT
79048	79477	<b>78227</b>	RENAULT
79049	79478	<b>78228</b>	RENAULT
79050	79479	<b>78229</b>	RENAULT
79072	79564	<b>78314</b>	VOLVO
79073	80001	<b>78751</b>	MERCEDES
79074	80000	<b>78750</b>	MERCEDES
79075	79308	<b>78058</b>	RENAULT
79076	79309	<b>78059</b>	RENAULT
79077	79310	<b>78060</b>	RENAULT
79078	79311	<b>78061</b>	RENAULT
79124	79312	<b>78062</b>	RENAULT
79125	79313	<b>78063</b>	RENAULT
79161	79428	<b>78178</b>	VOLVO
79190	79641	<b>78391</b>	VOLVO
79191	79642	<b>78392</b>	VOLVO
79231	72948	<b>71698</b>	SAF
79235	72788	<b>71538</b>	ROR
79256	79535	<b>78285</b>	RENAULT
79257	79536	<b>78286</b>	RENAULT
79275	79677	<b>78427</b>	VOLVO
79276	79678	<b>78428</b>	VOLVO
79314	70949	<b>69699</b>	SAF
79315	70969	<b>69719</b>	SAF / BPW
79316	70970	<b>69720</b>	SAF / BPW
79317	72007	<b>70757</b>	SAF
79318	72008	<b>70758</b>	SAF
79319	72238	<b>70988</b>	SAF
79320	72239	<b>70989</b>	SAF
79321	72948	<b>71698</b>	SAF
79322	79006	<b>77756</b>	SAF

REFERENCE	HALDEX NO.	GTSA NO.	VEHICLE
79323	72576	<b>71326</b>	SAF
79324	72581	<b>71331</b>	SAF
79325	72645	<b>71395</b>	SAF / BPW
79326	79005	<b>77755</b>	SAF
79327	72875	<b>71625</b>	BPW
79328	72710	<b>71460</b>	SAF
79329	72827	<b>71577</b>	SAF
79330	72948	<b>71698</b>	SAF
79331	79005	<b>77755</b>	SAF
79332	79006	<b>77756</b>	SAF
79333	79035	<b>77785</b>	SAF
79334	79038	<b>77788</b>	SAF
79335	79039	<b>77789</b>	SAF
79336	79043	<b>77793</b>	SAF
79337	79044	<b>77794</b>	SAF
79338	79052	<b>77802</b>	SAF
79339	79053	<b>77803</b>	SAF
79340	79086	<b>77836</b>	SAF
79341	79087	<b>77837</b>	SAF
79342	79090	<b>77840</b>	SAF
79343	79240	<b>77990</b>	SAF
79464	79724	<b>78474</b>	VOLVO
79465	79683	<b>78433</b>	RENAULT
79466	79684	<b>78434</b>	RENAULT
79497	79713	<b>78463</b>	VOLVO
79498	79714	<b>78464</b>	VOLVO
7950/F	72568	<b>71318</b>	FODEN
79 502	72053	<b>70803</b>	SAF / BPW
79514	79208	<b>77958</b>	MAN
79515	79209	<b>77959</b>	MAN
7955/F	72150	<b>70900</b>	DAF
79552	79619	<b>78369</b>	ROR
7956/F	72151	<b>70901</b>	DAF
79572	79725	<b>78475</b>	DAF
79573	79726	<b>78476</b>	MAN
79631	79006	<b>77756</b>	SAF
80018	80041	<b>78791</b>	SAF
80084	80176	<b>78926</b>	MAN
80085	80177	<b>78927</b>	MAN
80086	80183	<b>78933</b>	MAN
80087	80178	<b>78928</b>	MAN
80088	80179	<b>78929</b>	MAN
8008863	100001021	<b>G1021</b>	BPW
80092	80180	<b>78930</b>	MAN
80093	80181	<b>78931</b>	MAN
80110802	70775	<b>69525</b>	MERCEDES
80250000	72177	<b>70927</b>	NEOPLAN
80506556B	79023	<b>77773</b>	TRAILOR
805106556B	79022	<b>77772</b>	FRUEHAUF
81056106150	79216	<b>77966</b>	MAN

All manufacturer names, trademarks, product descriptions contained in this product catalog are for reference only. All reference numbers are for comparison purposes.

REFERENCE	HALDEX NO.	GTSA NO.	VEHICLE
81056106206	79216	<b>77966</b>	MAN
8,15061E+11	79213	<b>77963</b>	MAN
8,15061E+11	79214	<b>77964</b>	MAN
8,15061E+11	79195	<b>77945</b>	MAN
8,15061E+11	79196	<b>77946</b>	MAN
8,15061E+11	79215	<b>77965</b>	MAN
8,15061E+11	79215	<b>77965</b>	MAN
8,15061E+11	79693	<b>78443</b>	MAN
8,15061E+11	79205	<b>77955</b>	MAN
8,15061E+11	79206	<b>77956</b>	MAN
8,15061E+11	79216	<b>77966</b>	MAN
8,15061E+11	79217	<b>77967</b>	MAN
8,15061E+11	79218	<b>77968</b>	MAN
8,15061E+11	79218	<b>77968</b>	MAN
8,15061E+11	79219	<b>77969</b>	MAN
8,15061E+11	79220	<b>77970</b>	MAN
8,15061E+11	79197	<b>77947</b>	MAN
8,15061E+11	79198	<b>77948</b>	MAN
8,15061E+11	79199	<b>77949</b>	MAN
8,15061E+11	79200	<b>77950</b>	MAN
8,15061E+11	79221	<b>77971</b>	MAN
8,15061E+11	79222	<b>77972</b>	MAN
8,15061E+11	79223	<b>77973</b>	MAN
8,15061E+11	79224	<b>77974</b>	MAN
8,15061E+11	79225	<b>77975</b>	MAN
8,15061E+11	79226	<b>77976</b>	MAN
8,15061E+11	79201	<b>77951</b>	MAN
8,15061E+11	79201	<b>77951</b>	MAN
8,15061E+11	79202	<b>77952</b>	MAN
8,15061E+11	79202	<b>77952</b>	MAN
8,15061E+11	79203	<b>77953</b>	MAN
8,15061E+11	79204	<b>77954</b>	MAN
8,15061E+11	79227	<b>77977</b>	MAN
8,15061E+11	79227	<b>77977</b>	MAN
81506106063	79203	<b>77953</b>	MAN
81506106064	79204	<b>77954</b>	MAN
81506106065	79194	<b>77944</b>	MAN
81506106067	70615	<b>69365</b>	MAN
81506106077	79224	<b>77974</b>	MAN
81506106078	79223	<b>77973</b>	MAN
81506106079	79221	<b>77971</b>	MAN
81506106080	79222	<b>77972</b>	MAN
81506106081	79212	<b>77962</b>	MAN
81506106082	79194	<b>77944</b>	MAN
81506106083	79210	<b>77960</b>	MAN
81506106084	79211	<b>77961</b>	MAN
81506106085	79193	<b>77943</b>	MAN
81506106086	79199	<b>77949</b>	MAN
81506106087	79200	<b>77950</b>	MAN
81506106091	79202	<b>77952</b>	MAN

REFERENCE	HALDEX NO.	GTSA NO.	VEHICLE
81506106098	79215	<b>77965</b>	MAN
81506106101	79201	<b>77951</b>	MAN
81506106108	79198	<b>77948</b>	MAN
81506106109	79197	<b>77947</b>	MAN
81506106123	79218	<b>77968</b>	MAN
81506106126	79225	<b>77975</b>	MAN
81506106127	79226	<b>77976</b>	MAN
81506106128	79223	<b>77973</b>	MAN
81506106129	79224	<b>77974</b>	MAN
81506106137	79207	<b>77957</b>	MAN
81506106139	79206	<b>77956</b>	MAN
81506106140	79205	<b>77955</b>	MAN
81506106149	79217	<b>77967</b>	MAN
81506106150	79216	<b>77966</b>	MAN
81506106151	79212	<b>77962</b>	MAN
81506106153	79210	<b>77960</b>	MAN
81506106154	79211	<b>77961</b>	MAN
81506106157	79218	<b>77968</b>	MAN
81506106160	79196	<b>77946</b>	MAN
81506106161	79195	<b>77945</b>	MAN
81506106165	79208	<b>77958</b>	MAN
81506106166	79209	<b>77959</b>	MAN
81506106167	79215	<b>77965</b>	MAN
81506106169	79226	<b>77976</b>	MAN
81506106170	79225	<b>77975</b>	MAN
81506106173	79693	<b>78443</b>	MAN
81506106174	79213	<b>77963</b>	MAN
81506106175	79214	<b>77964</b>	MAN
81506106176	79205	<b>77955</b>	MAN
81506106177	79206	<b>77956</b>	MAN
81506106178	79216	<b>77966</b>	MAN
81506106179	79217	<b>77967</b>	MAN
81506106180	79218	<b>77968</b>	MAN
81506106181	79220	<b>77970</b>	MAN
81506106182	79219	<b>77969</b>	MAN
81506106183	79203	<b>77953</b>	MAN
81506106184	79204	<b>77954</b>	MAN
81506106187	79224	<b>77974</b>	MAN
81506106188	79223	<b>77973</b>	MAN
81506106189	79197	<b>77947</b>	MAN
81506106190	79198	<b>77948</b>	MAN
81506106191	79221	<b>77971</b>	MAN
81506106192	79222	<b>77972</b>	MAN
81506106193	79207	<b>77957</b>	MAN
81506106194	79227	<b>77977</b>	MAN
81506106197	72651	<b>71401</b>	MAN
81506106199	79229	<b>77979</b>	MAN
81506106200	79228	<b>77978</b>	MAN
81506106201	79695	<b>78445</b>	MAN
81506106203	79220	<b>77970</b>	MAN

## CROSS REFERENCE

REFERENCE	HALDEX NO.	GTSA NO.	VEHICLE
81506106204	79219	<b>77969</b>	MAN
81506106205	79217	<b>77967</b>	MAN
81506106206	79216	<b>77966</b>	MAN
81506106207	79214	<b>77964</b>	MAN
81506106208	79213	<b>77963</b>	MAN
81506106209	79215	<b>77965</b>	MAN
81506106210	79209	<b>77959</b>	MAN
81506106211	79208	<b>77958</b>	MAN
81506106212	79211	<b>77961</b>	MAN
81506106213	79210	<b>77960</b>	MAN
81506106214	79205	<b>77955</b>	MAN
81506106215	79206	<b>77956</b>	MAN
81506106216	79227	<b>77977</b>	MAN
81506106217	79207	<b>77957</b>	MAN
81506106218	79222	<b>77972</b>	MAN
81506106219	79221	<b>77971</b>	MAN
81506106220	79223	<b>77973</b>	MAN
81506106221	79224	<b>77974</b>	MAN
81506106222	79225	<b>77975</b>	MAN
81506106223	79226	<b>77976</b>	MAN
81506106225	79693	<b>78443</b>	MAN
81506106226	79218	<b>77968</b>	MAN
81506106227	79695	<b>78445</b>	MAN
81506106228	79228	<b>77978</b>	MAN
81506106229	79229	<b>77979</b>	MAN
81506106231	79212	<b>77962</b>	MAN
81506106234	79209	<b>77959</b>	MAN
81506106235	79208	<b>77958</b>	MAN
81506106246	79725	<b>78475</b>	MAN
81506106247	79726	<b>78476</b>	MAN
81506106251	80180	<b>78930</b>	MAN
81506106252	80181	<b>78931</b>	MAN
81506106253	80176	<b>78926</b>	MAN
81506106254	80179	<b>78929</b>	MAN
81506106255	80178	<b>78928</b>	MAN
81506106256	80177	<b>78927</b>	MAN
81506106258	80183	<b>78933</b>	MAN
81506106259	80178	<b>78928</b>	MAN
81506106260	80179	<b>78929</b>	MAN
81506106261	80180	<b>78930</b>	MAN
81506106262	80181	<b>78931</b>	MAN
81506106263	80176	<b>78926</b>	MAN
81506106264	80177	<b>78927</b>	MAN
81506106266	80183	<b>78933</b>	MAN
81506107154	79211	<b>77961</b>	MAN
81506108151	79212	<b>77962</b>	MAN
81506109151	79212	<b>77962</b>	MAN
08164954Z	70880	<b>69630</b>	RENAULT
08164956B	70609	<b>69359</b>	RENAULT
08164958D	70608	<b>69358</b>	RENAULT

REFERENCE	HALDEX NO.	GTSA NO.	VEHICLE
08166250H	79150	<b>77900</b>	RENAULT
08166251J	79151	<b>77901</b>	RENAULT
08166252K	79152	<b>77902</b>	RENAULT
08166253L	79153	<b>77903</b>	RENAULT
8196083	79428	<b>78178</b>	VOLVO
81998033225	79208	<b>77958</b>	MAN
81998033226	79209	<b>77959</b>	MAN
8226963	70893	<b>69643</b>	DANA / MCW
8226964	70894	<b>69644</b>	DANA / MCW
8228242	70859	<b>69609</b>	DENNIS / MCW
8228243	70986	<b>69736</b>	DENNIS
8228543	70986	<b>69736</b>	DENNIS
8235000415	72758	<b>71508</b>	KASSBOHRER
8238000415	72758	<b>71508</b>	KASSBOHRER
8238000835	72758	<b>71508</b>	KASSBOHRER
8241016231	100001125	<b>G1125</b>	BPW
8241037367	100001021	<b>G1021</b>	BPW
8243000562	100002166	<b>G2166</b>	KASSBOHRER
82460300	72660	<b>71410</b>	SCANIA
82460800	72931	<b>71681</b>	ZF
82460820	72931	<b>71681</b>	ZF
82460830	72932	<b>71682</b>	ZF
8283000151	100002163	<b>G2163</b>	KASSBOHRER
82830003040	70720	<b>69470</b>	KASSBOHRER
82830003080	70716	<b>69466</b>	KASSBOHRER
82830003090	70717	<b>69467</b>	KASSBOHRER
82830003360	72016	<b>70766</b>	KASSBOHRER
82830005520	72014	<b>70764</b>	KASSBOHRER
82830005530	72015	<b>70765</b>	KASSBOHRER
82830005620	100002167	<b>G2167</b>	-
82830005890	72017	<b>70767</b>	KASSBOHRER
82830005900	72018	<b>70768</b>	KASSBOHRER
82830006480	72758	<b>71508</b>	KASSBOHRER
82830007530	72416	<b>71166</b>	KASSBOHRER
82830007570	70989	<b>69739</b>	KASSBOHRER
82850000790	72372	<b>71122</b>	KASSBOHRER
82850000800	72373	<b>71123</b>	KASSBOHRER
82850000810	72374	<b>71124</b>	KASSBOHRER
82850000820	72375	<b>71125</b>	KASSBOHRER
82850000890	79041	<b>77791</b>	KASSBOHRER
82850000900	79040	<b>77790</b>	KASSBOHRER
82850000910	72371	<b>71121</b>	KASSBOHRER
82850000920	72370	<b>71120</b>	KASSBOHRER
82850002130	72592	<b>71342</b>	KASSBOHRER
82850002140	72591	<b>71341</b>	KASSBOHRER
82850004150	72758	<b>71508</b>	KASSBOHRER
82850005370	79041	<b>77791</b>	KASSBOHRER
82850005380	79040	<b>77790</b>	KASSBOHRER
82850005390	79041	<b>77791</b>	KASSBOHRER
8285000910	72371	<b>71121</b>	KASSBOHRER

All manufacturer names, trademarks, product descriptions contained in this product catalog are for reference only. All reference numbers are for comparison purposes.

REFERENCE	HALDEX NO.	GTSA NO.	VEHICLE
82852450000	72426	<b>71176</b>	KASSBOHRER
82852460000	72427	<b>71177</b>	KASSBOHRER
834984	72151	<b>70901</b>	DAF
8398385	70978	<b>69728</b>	VOLVO
8398386	70977	<b>69727</b>	VOLVO
843684	70526	<b>69276</b>	LEYLAND
843685	70530	<b>69280</b>	LEYLAND
8445	100101364	<b>G1364</b>	DAF
85100231	70978	<b>69728</b>	VOLVO
8550578	72367	<b>71117</b>	DENNIS
8550903	72145	<b>70895</b>	DENNIS
8550963	72364	<b>71114</b>	DENNIS
863101	70532	<b>69282</b>	LEYLAND
866101	70532	<b>69282</b>	LEYLAND
8671	80019	<b>78769</b>	BPW
86992	79005	<b>77755</b>	SAF
885374	72875	<b>71625</b>	BPW
89200440743	72643	<b>71393</b>	STEYR
8947	72553	<b>71303</b>	DAF
8968	100101047	<b>G1047</b>	ROR
9000100	72788	<b>71538</b>	ROR
9000400	103007001	<b>G7001</b>	ROR/TRAILOR
9002105	79023	<b>77773</b>	TRAILOR
9002113	79149	<b>77899</b>	SAE
9002121	79144	<b>77894</b>	SAE
9002122	79145	<b>77895</b>	SAE
9002137	79142	<b>77892</b>	SAE
9002138	79143	<b>77893</b>	SAE
9002153	72751	<b>71501</b>	SAE
9002154	72752	<b>71502</b>	SAE
9002202	72870	<b>71620</b>	SAE
9002209	79138	<b>77888</b>	SAE
9002210	79139	<b>77889</b>	SAE
9002221	79269	<b>78019</b>	SAF
9002222	79270	<b>78020</b>	SAF
9002224	79144	<b>77894</b>	SAE
9002225	79145	<b>77895</b>	SAE
9002233	79146	<b>77896</b>	SAE
9002234	79147	<b>77897</b>	SAE
9002251	79142	<b>77892</b>	SAE
9002252	79143	<b>77893</b>	SAE
9002265	79140	<b>77890</b>	SAE
9002266	79141	<b>77891</b>	SAE
9002281	79148	<b>77898</b>	SAE
9007270	70823	<b>69573</b>	DAF
9007271	70824	<b>69574</b>	DAF
9007272	70825	<b>69575</b>	DAF
9007273	70871	<b>69621</b>	DAF
9007807	10869	<b>9619</b>	DAF
9007808	10868	<b>9618</b>	DAF

REFERENCE	HALDEX NO.	GTSA NO.	VEHICLE
9012061	72837	<b>71587</b>	SAE
9113311	70762	<b>69512</b>	SAURER
914244	72216	<b>70966</b>	IVECO PEGASO
914245	72215	<b>70965</b>	IVECO PEGASO
914248	72217	<b>70967</b>	IVECO PEGASO
914249	72218	<b>70968</b>	IVECO PEGASO
914264	72804	<b>71554</b>	IVECO PEGASO
914265	72408	<b>71158</b>	IVECO PEGASO
914268	72828	<b>71578</b>	IVECO PEGASO
915284	72802	<b>71552</b>	IVECO PEGASO
915285	72803	<b>71553</b>	IVECO PEGASO
915286	72446	<b>71196</b>	IVECO PEGASO
915287	72447	<b>71197</b>	IVECO PEGASO
917980	72802	<b>71552</b>	IVECO PEGASO
917981	72803	<b>71553</b>	IVECO PEGASO
917982	72804	<b>71554</b>	IVECO PEGASO
917983	72618	<b>71368</b>	PEGASO
917985	72828	<b>71578</b>	IVECO PEGASO
9197	79183	<b>77933</b>	ROR
93001236	79100	<b>77850</b>	MERCEDES
93160850	72330	<b>71080</b>	VAN HOOL /IVECO
9317026	72876	<b>71626</b>	BPW
9319013	100001021	<b>G1021</b>	BPW
9319019	100001721	<b>G1721</b>	BPW
9319035	79649	<b>78399</b>	SAE
9319179	79542	<b>78292</b>	SAE
9319299	80126	<b>78876</b>	SAE
9424200038	80008	<b>78758</b>	MERCEDES
9424200138	80009	<b>78759</b>	MERCEDES
9424200238	80000	<b>78750</b>	MERCEDES
9424200338	80001	<b>78751</b>	MERCEDES
9424200438	80000	<b>78750</b>	MERCEDES
9424200538	80001	<b>78751</b>	MERCEDES
9424200638	70753	<b>69503</b>	MERCEDES
9424200738	70754	<b>69504</b>	MERCEDES
9424200838	80009	<b>78759</b>	MERCEDES
9424200938	80008	<b>78758</b>	MERCEDES
9424201038	72174	<b>70924</b>	MERCEDES
9424201138	72173	<b>70923</b>	MERCEDES
9424201238	80008	<b>78758</b>	MERCEDES
9424201338	80009	<b>78759</b>	MERCEDES
9424290338	80001	<b>78751</b>	MERCEDES
9454200038	80008	<b>78758</b>	MERCEDES
9454200138	80009	<b>78759</b>	MERCEDES
9454200238	80000	<b>78750</b>	MERCEDES
9454200338	80001	<b>78751</b>	MERCEDES
9454200438	80014	<b>78764</b>	MERCEDES
9454200538	80012	<b>78762</b>	MERCEDES
9454200638	80013	<b>78763</b>	MERCEDES
9454200738	80011	<b>78761</b>	MERCEDES

## CROSS REFERENCE

REFERENCE	HALDEX NO.	GTSA NO.	VEHICLE
9454200838	80010	<b>78760</b>	MERCEDES
9454200938	80030	<b>78780</b>	MERCEDES
9454201038	80165	<b>78915</b>	MERCEDES
9454201138	80166	<b>78916</b>	MERCEDES
9454201238	80163	<b>78913</b>	MERCEDES
9454201338	80164	<b>78914</b>	MERCEDES
9454201438	80167	<b>78917</b>	MERCEDES
9464200838	80010	<b>78760</b>	MERCEDES
9474200738	80011	<b>78761</b>	MERCEDES
9484200538	80012	<b>78762</b>	MERCEDES
9494200638	80013	<b>78763</b>	MERCEDES
9518357	79564	<b>78314</b>	VOLVO
9524585	79677	<b>78427</b>	VOLVO
9524586	79678	<b>78428</b>	VOLVO
9524856	79359	<b>78109</b>	VOLVO
9524857	79360	<b>78110</b>	VOLVO
9543311002	70764	<b>69514</b>	SAURER
97774	72679	<b>71429</b>	DAF
97775	72680	<b>71430</b>	DAF
99100330822	72430	<b>71180</b>	STEYR
99100330823	72431	<b>71181</b>	STEYR
99100340001	104406401	<b>G6401</b>	-
99100340002	104506401	<b>G6401L</b>	-
997774	72679	<b>71429</b>	DAF
A06010601	100001021	<b>G1021</b>	BPW
A06010603	79023	<b>77773</b>	TRAILOR
A4037351	72180	<b>70930</b>	FODEN
A4403	100014753	<b>G4753</b>	TRAILOR
A5980	102060001	<b>G0001K</b>	ROR / TRAILOR
A5985	102172001	<b>G2001</b>	ROR / TRAILOR
A5986	103003001	<b>G3001</b>	-
A5988	102062201	<b>G2201</b>	TRAILOR
AAU3347	70841	<b>69591</b>	LEYLAND
AAU3348	70840	<b>69590</b>	LEYLAND
ACU3627	70943	<b>69693</b>	LEYLAND
ACU3628	70944	<b>69694</b>	LEYLAND
ACU3629	70945	<b>69695</b>	LEYLAND
ACU6280	72086	<b>70836</b>	LEYLAND
ACU6980	72105	<b>70855</b>	LEYLAND
ACU6981	72106	<b>70856</b>	LEYLAND
ACU7724	72405	<b>71155</b>	LEYLAND
ACU7725	72406	<b>71156</b>	LEYLAND
ACU7738	72191	<b>70941</b>	LEYLAND
ACU7739	72192	<b>70942</b>	LEYLAND
ACU7740	72403	<b>71153</b>	LEYLAND
ACU7741	72404	<b>71154</b>	LEYLAND
ACU8342	72401	<b>71151</b>	LEYLAND
ACU8343	72402	<b>71152</b>	LEYLAND
ACU8344	72403	<b>71153</b>	LEYLAND
ACU8345	72404	<b>71154</b>	LEYLAND

REFERENCE	HALDEX NO.	GTSA NO.	VEHICLE
ACU8346	72405	<b>71155</b>	LEYLAND
ACU8347	72406	<b>71156</b>	LEYLAND
ACU8348	72407	<b>71157</b>	LEYLAND
AJA06294	102922291	<b>G2291</b>	-
AJA06295	102923341	<b>G3341</b>	-
AJA077743	100114075	<b>G4075</b>	PROPAR/FRUEHAUF
AJB0092001	79022	<b>77772</b>	FRUEHAUF
AJB0742/A	79006	<b>77756</b>	SAF
AJB0743001	79022	<b>77772</b>	FRUEHAUF
AJBO742/A	79006	<b>77756</b>	SAF
AJBO743001	79022	<b>77772</b>	FRUEHAUF
AJX9389	72788	<b>71538</b>	ROR
AMNB1213	72788	<b>71538</b>	ROR
AM-NS300654/D	72788	<b>71538</b>	ROR
ARD1112833	72660	<b>71410</b>	SCANIA
ARG1112834	72661	<b>71411</b>	SCANIA
ARJB0743701	79022	<b>77772</b>	FRUEHAUF
ARJBO743701	79022	<b>77772</b>	FRUEHAUF
AS001	72788	<b>71538</b>	ROR
ASY55481	12141	<b>10891</b>	FRUEHAUF
ASY55482	12142	<b>10892</b>	FRUEHAUF
ASZ07651	79022	<b>77772</b>	FRUEHAUF
ASZ07652	72267	<b>71017</b>	FRUEHAUF
ASZ07653	72359	<b>71109</b>	ROR
ASZ07654	72581	<b>71331</b>	SAF
AT72180	72180	<b>70930</b>	FODEN
AT72181	72181	<b>70931</b>	FODEN
AT72199	72199	<b>70949</b>	FODEN
AT72939	72939	<b>71689</b>	FODEN
AT79133	79133	<b>77883</b>	FODEN
AT79184	79184	<b>77934</b>	FODEN
AT79461	79461	<b>78211</b>	FODEN
AT79503	79503	<b>78253</b>	ROR
AT79504	79504	<b>78254</b>	ROR
DAF46006	100101364	<b>G1364</b>	DAF
DAF46016	72530	<b>71280</b>	DAF
DAF46035	72538	<b>71288</b>	DAF
DAF46036	72539	<b>71289</b>	DAF
KB1005	72875	<b>71625</b>	BPW
KB1010	72876	<b>71626</b>	BPW
KB1015	79023	<b>77773</b>	TRAILOR
KB1015D	80024	<b>78774</b>	TRAILOR
KB1020	79022	<b>77772</b>	FRUEHAUF
KB1020D	80021	<b>78771</b>	FRUEHAUF
KB1022	79022	<b>77772</b>	FRUEHAUF
KB1025	79004	<b>77754</b>	SMB
KB1025D	80023	<b>78773</b>	SMB
KB1030	72576	<b>71326</b>	SAF
KB1035	72710	<b>71460</b>	SAF
KB1040	72581	<b>71331</b>	SAF

All manufacturer names, trademarks, product descriptions contained in this product catalog are for reference only. All reference numbers are for comparison purposes.

REFERENCE	HALDEX NO.	GTSA NO.	VEHICLE
KB1065	72256	<b>71006</b>	ROR
KB1075	72948	<b>71698</b>	SAF
KB1080	70949	<b>69699</b>	SAF
KB1095	79006	<b>77756</b>	SAF
KB1105	72253	<b>71003</b>	BPW
KB1110	72239	<b>70989</b>	SAF
KB1115	70802	<b>69552</b>	SAF
KB1120	70803	<b>69553</b>	SAF
KB2010	72523	<b>71273</b>	DAF
KB2015	72524	<b>71274</b>	DAF
KB2020	72538	<b>71288</b>	DAF
KB2025	72539	<b>71289</b>	DAF
KB2030	72534	<b>71284</b>	DAF
KB2035	72543	<b>71293</b>	DAF
KB2040	72059	<b>70809</b>	MERCEDES
KB2045	70954	<b>69704</b>	MERCEDES
KB2050	80009	<b>78759</b>	MERCEDES
KB2055	80008	<b>78758</b>	MERCEDES
KB2060	80001	<b>78751</b>	MERCEDES
KB2065	80000	<b>78750</b>	MERCEDES
KB2070	79208	<b>77958</b>	MAN
KB2075	79209	<b>77959</b>	MAN
KB2080	79212	<b>77962</b>	MAN
KB2085	72758	<b>71508</b>	KASSBOHRER
KB2090	79211	<b>77961</b>	MAN
KB2095	79210	<b>77960</b>	MAN
KB2100	70775	<b>69525</b>	MERCEDES
KB2105	72542	<b>71292</b>	DAF
KB2110	72536	<b>71286</b>	DAF
KB2115	72525	<b>71275</b>	DAF
KB2120	72537	<b>71287</b>	DAF
KB2125	72526	<b>71276</b>	DAF
KB2130	72213	<b>70963</b>	MERCEDES
KB2135	80011	<b>78761</b>	MERCEDES
KB2140	80010	<b>78760</b>	MERCEDES
KB2145	80009	<b>78759</b>	MERCEDES
KB2150	70867	<b>69617</b>	MERCEDES
KB2155	72174	<b>70924</b>	MERCEDES
KB2160	72173	<b>70923</b>	MERCEDES
KB2165	80008	<b>78758</b>	MERCEDES
KB2170	72181	<b>70931</b>	FODEN
KB2175	72199	<b>70949</b>	FODEN
KB2180	72406	<b>71156</b>	LEYLAND
KB2185	72403	<b>71153</b>	LEYLAND
KB2190	72404	<b>71154</b>	LEYLAND
KB2210	72664	<b>71414</b>	SCANIA
KB2215	72663	<b>71413</b>	SCANIA
KB2220	72660	<b>71410</b>	SCANIA
KB2225	79015	<b>77765</b>	RENAULT
KB2230	79014	<b>77764</b>	RENAULT

REFERENCE	HALDEX NO.	GTSA NO.	VEHICLE
KB2235	72180	<b>70930</b>	FODEN
KB2240	79013	<b>77763</b>	RENAULT
KB2245	79016	<b>77766</b>	RENAULT
KB2250	72662	<b>71412</b>	SCANIA
KB2255	72667	<b>71417</b>	VOLVO
KB2260	72661	<b>71411</b>	SCANIA
KB2265	72745	<b>71495</b>	SCANIA
KB2270	72744	<b>71494</b>	SCANIA
KB2275	72678	<b>71428</b>	VOLVO
KB2280	72782	<b>71532</b>	VOLVO
KB2285	72723	<b>71473</b>	VOLVO
KB2290	72724	<b>71474</b>	VOLVO
KB2295	72726	<b>71476</b>	VOLVO
KB2300	72783	<b>71533</b>	VOLVO
KB2305	72540	<b>71290</b>	DAF
KB2310	70893	<b>69643</b>	DANA / MCW
KB2315	70945	<b>69695</b>	LEYLAND
KB2320	70626	<b>69376</b>	LEYLAND
KB2325	70859	<b>69609</b>	DENNIS / MCW
KB2330	70624	<b>69374</b>	LEYLAND
KB2335	70583	<b>69333</b>	LEYLAND
KB2340	72441	<b>71191</b>	LEYLAND
KB2345	72439	<b>71189</b>	LEYLAND
KB2350	72440	<b>71190</b>	LEYLAND
KB2360	72825	<b>71575</b>	SCANIA
KB2370	70634	<b>69384</b>	LEYLAND
KB2375	72364	<b>71114</b>	DENNIS
KB2380	72401	<b>71151</b>	LEYLAND
KB2385	72402	<b>71152</b>	LEYLAND
KB2390	70582	<b>69332</b>	LEYLAND
KB2395	72548	<b>71298</b>	DAF
KB2400	72608	<b>71358</b>	DAF
KB2420	72596	<b>71346</b>	MERCEDES
KB2425	72609	<b>71359</b>	DAF
KB2430	70532	<b>69282</b>	LEYLAND
KB2435	70627	<b>69377</b>	LEYLAND
KB2440	70706	<b>69456</b>	MERCEDES
KB2445	70753	<b>69503</b>	MERCEDES
KB2450	70832	<b>69582</b>	VOLVO
KB2455	70833	<b>69583</b>	VOLVO
KB2470	70918	<b>69668</b>	MERCEDES
KB2475	70943	<b>69693</b>	LEYLAND
KB2480	70944	<b>69694</b>	LEYLAND
KB2495	72105	<b>70855</b>	LEYLAND
KB2500	72106	<b>70856</b>	LEYLAND
KB2515	72535	<b>71285</b>	DAF
KB2520	72665	<b>71415</b>	SCANIA
KB2525	72666	<b>71416</b>	SCANIA
KB2530	72668	<b>71418</b>	VOLVO
KB2535	72669	<b>71419</b>	VOLVO

## CROSS REFERENCE

REFERENCE	HALDEX NO.	GTSA NO.	VEHICLE
KB2540	72670	<b>71420</b>	VOLVO
KB2545	72671	<b>71421</b>	VOLVO
KB2550	72673	<b>71423</b>	VOLVO
KB2555	72674	<b>71424</b>	VOLVO
KB2560	72675	<b>71425</b>	VOLVO
KB2565	72715	<b>71465</b>	VOLVO
KB2570	72716	<b>71466</b>	VOLVO
KB2575	72717	<b>71467</b>	VOLVO
KB2580	72718	<b>71468</b>	VOLVO
KB2585	72727	<b>71477</b>	SCANIA
KB2590	72728	<b>71478</b>	SCANIA
KB2595	72826	<b>71576</b>	SCANIA
KB2600	72892	<b>71642</b>	SCANIA
KB2605	72893	<b>71643</b>	SCANIA
KB2610	79205	<b>77955</b>	MAN
KB2615	79206	<b>77956</b>	MAN
KB2620	79223	<b>77973</b>	MAN
KB2625	79224	<b>77974</b>	MAN
KB2630	79296	<b>78046</b>	RENAULT
KB2635	79297	<b>78047</b>	RENAULT
KB2640	79299	<b>78049</b>	RENAULT
KB2645	79300	<b>78050</b>	RENAULT
KB2650	70510	<b>69260</b>	LEYLAND
KB2655	70511	<b>69261</b>	LEYLAND
KB2660	72915	<b>71665</b>	VOLVO
KB2665	72916	<b>71666</b>	VOLVO
KB2670	72407	<b>71157</b>	LEYLAND
KB2675	72541	<b>71291</b>	DAF
KB2680	72663	<b>71413</b>	SCANIA
KB2685	72906	<b>71656</b>	VOLVO
KB2690	72907	<b>71657</b>	VOLVO
KB2695	72672	<b>71422</b>	VOLVO
KB2700	70894	<b>69644</b>	DANA / MCW
KB2705	72676	<b>71426</b>	VOLVO
KB2710	72654	<b>71404</b>	SCANIA
KB2715	72211	<b>70961</b>	MERCEDES
KB2720	72212	<b>70962</b>	MERCEDES
KB2735	79442	<b>78192</b>	SCANIA
KB2740	79443	<b>78193</b>	SCANIA
KB2755	72039	<b>70789</b>	MERCEDES
KB2760	72530	<b>71280</b>	DAF
KB2765	70754	<b>69504</b>	MERCEDES
KB2785	72688	<b>71438</b>	ZF
KB2790	72689	<b>71439</b>	ZF
KB2795	79017	<b>77767</b>	RENAULT
KB2800	79018	<b>77768</b>	RENAULT
KB2815	79007	<b>77757</b>	RENAULT
KB2820	79008	<b>77758</b>	RENAULT
KB2825	70986	<b>69736</b>	DENNIS
KB2830	72070	<b>70820</b>	MERCEDES

REFERENCE	HALDEX NO.	GTSA NO.	VEHICLE
KB2835	70530	<b>69280</b>	LEYLAND
KB2840	70917	<b>69667</b>	MERCEDES
KB2850	72664	<b>71414</b>	SCANIA
KB2855	80008	<b>78758</b>	MERCEDES
KB2865	72393	<b>71143</b>	DENNIS
KB2870	79628	<b>78378</b>	RENAULT
KB2875	79629	<b>78379</b>	RENAULT
KB2880	72546	<b>71296</b>	DAF
KB2885	72677	<b>71427</b>	VOLVO
KB2890	70785	<b>69535</b>	LEYLAND
KB2895	70786	<b>69536</b>	LEYLAND
KB2900	72719	<b>71469</b>	VOLVO
KB2905	79288	<b>78038</b>	RENAULT
KB2910	79289	<b>78039</b>	RENAULT
KB2915	72804	<b>71554</b>	IVECO PEGASO
KB2920	79294	<b>78044</b>	RENAULT
KB2925	79295	<b>78045</b>	RENAULT
KB2930	72809	<b>71559</b>	MERCEDES
KB2940	79301	<b>78051</b>	RENAULT
KB2945	79302	<b>78052</b>	RENAULT
MAN60001	79223	<b>77973</b>	MAN
MAN60003	79208	<b>77958</b>	MAN
MAN60004	79209	<b>77959</b>	MAN
MAN6001	79223	<b>77973</b>	MAN
MAN60501	79224	<b>77974</b>	MAN
MAN60502	79213	<b>77963</b>	MAN
MER62043	80000	<b>78750</b>	MERCEDES
MER62044	80001	<b>78751</b>	MERCEDES
RVI44035	79007	<b>77757</b>	RENAULT
RVI44036	79008	<b>77758</b>	RENAULT
RVI44058	79013	<b>77763</b>	RENAULT
RVI44059	79014	<b>77764</b>	RENAULT
RVI44077	79151	<b>77901</b>	RENAULT
RVI44078	79152	<b>77902</b>	RENAULT
RVI44090	79015	<b>77765</b>	RENAULT
RVI44091	79016	<b>77766</b>	RENAULT
RVI44092	79017	<b>77767</b>	RENAULT
RVI44093	79018	<b>77768</b>	RENAULT
SCA64502	72660	<b>71410</b>	SCANIA
SCA64506	72662	<b>71412</b>	SCANIA
TC807632	72585	<b>71335</b>	TEMSA
TC807634	72583	<b>71333</b>	TEMSA
TC807635	72584	<b>71334</b>	TEMSA

NOTES:

:











—  
📍 Büyük Kayacık Mahallesi  
3 O.S.B. Sanayi Sit. 15.Sokak No:17  
Selçuklu / KONYA / TÜRKİYE

—  
☎ +90 332 **239 16 64**

☎ +90 332 **239 06 98**

☎ +90 332 **239 16 63**

—  
✉ info@gtsa.com.tr

🌐 www.gtsa.com.tr

